



California Faucets®

ALISO

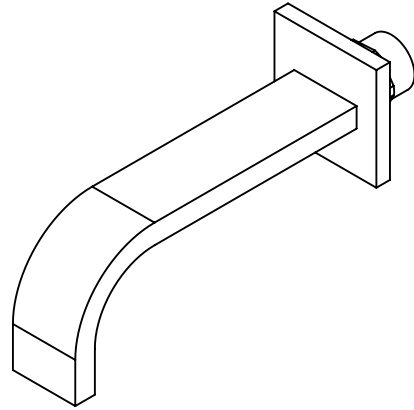
WALL TUB SPOUT

Features

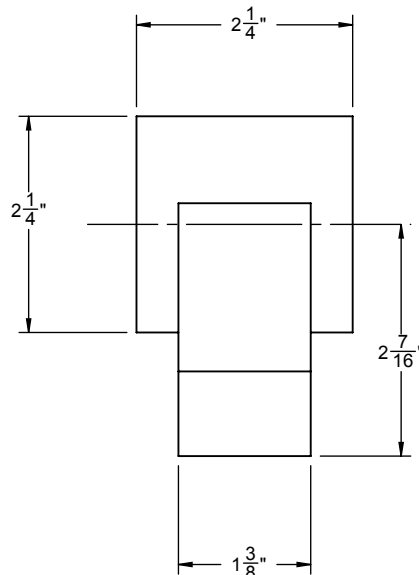
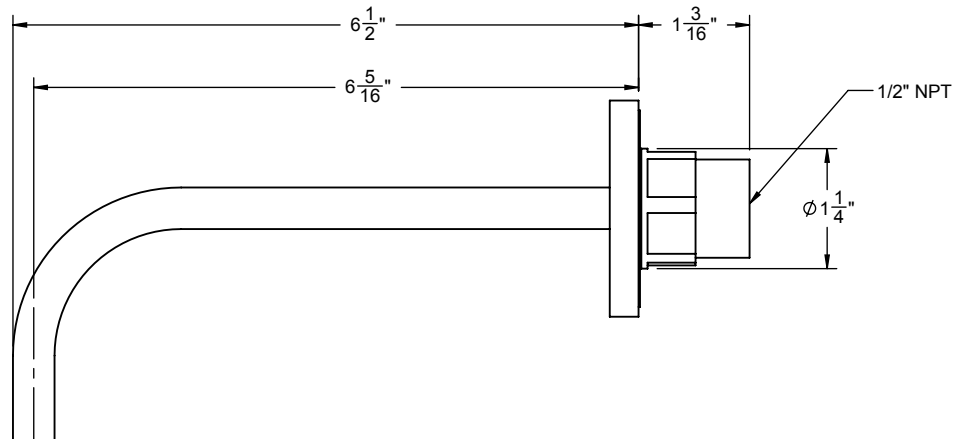
- Over 30 finishes including 14 PVD finishes
- All brass construction
- Includes decorative base ring
- Maximum flow rate: 8 gpm (30.3 L/m)
- For use with: StyleTherm, 3-VR or 2-VR

Codes/Standards Applicable

- Product meets or exceeds the following:
- ASME A112.18.1/CSA B125.1



TS-72



THROUGH-HOLE SPECIFICATIONS

	MIN	RECOMENDED
SPOUT:	1-1/4"	1-3/8"