

California Faucets®

**Del Mar**

WALL OR DECK HANDLE TRIM ONLY

TO-60-W

**Features**

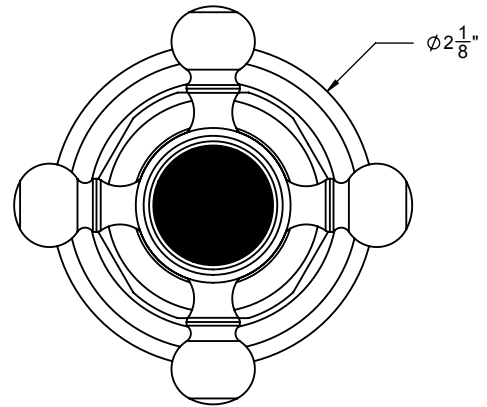
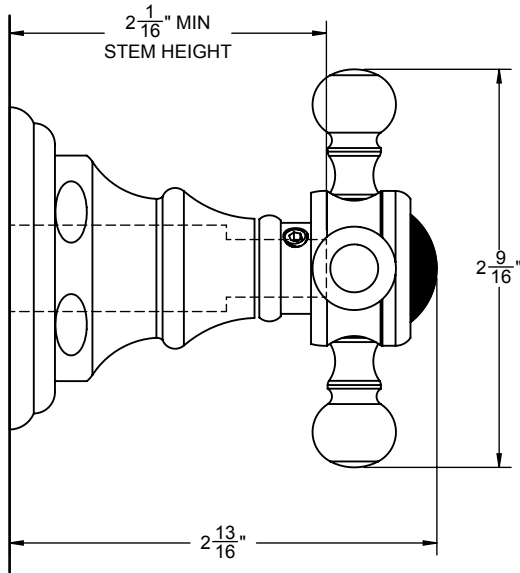
- Base diameter 2-1/8"
- Use for wall stop, wall diverter or deck diverter
- Rough valve (50W-R, 75-W-R, WDV-R, DDV-R) sold separately
- All brass construction
- Over 30 finishes including 13 PVD finishes



**Codes/Standards Applicable**

Product meets or exceeds the following:

- ASME A112.18.1/CSA B125.1



THROUGH-HOLE SPECIFICATIONS		
MIN	RECOMMENDED	MAX
$\phi 1"$	$\phi 1\text{-}3/8"$	$\phi 1\text{-}1/2"$