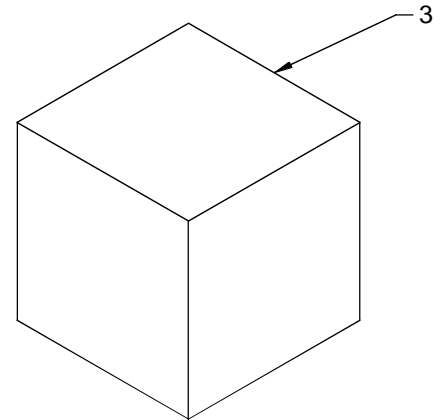
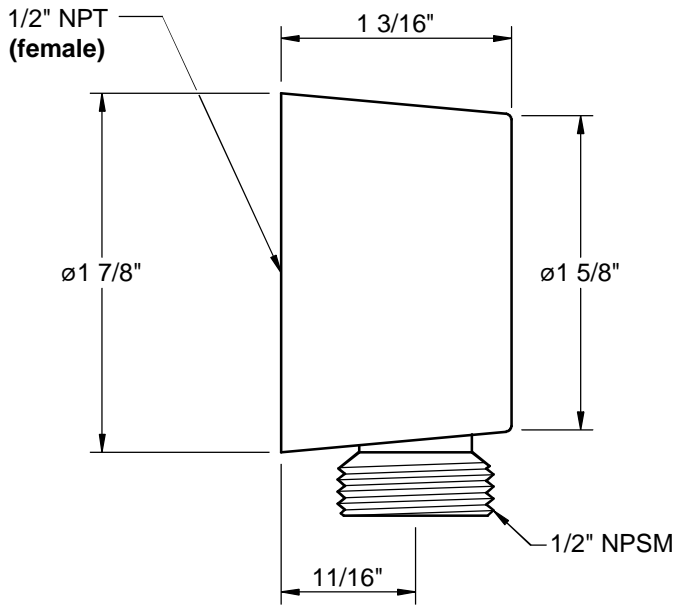
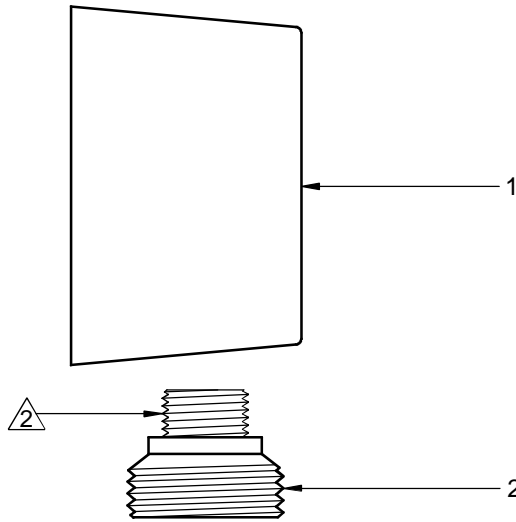


NOTES:

1. ZZ DENOTES FINISH

2. APPLY LOCTITE 680 OR EQUIVALENT



3	CARTON, KRAFT, 3" X 3" X 3"	1	33010802
2	OUTLET, WALL ELL	1	10083-ZZ
1	BODY, WALL ELL	1	10082-ZZ

Pos.	Description	Qty.	Part #
------	-------------	------	--------

California Faucets®  
 info@calfaucets.com  
 www.calfaucets.com

**DESCRIPTION:** ELBOW FOR HANDSHOWER

**NEXT ASSEMBLY:** 7-913267-ZZ

**USED ON:** SH-10, 9125, 9128, 9129

**DRAWING NUMBER:** SH-10

STARTING DATE: 06/14/05

REVISION DATE: 04/01/08

APPROVED BY: J. WOJTASZEK

SCALE: NONE

DRAWN BY: W. LINARES