



California Faucets®

Miramar™

WALL LAVATORY

Features

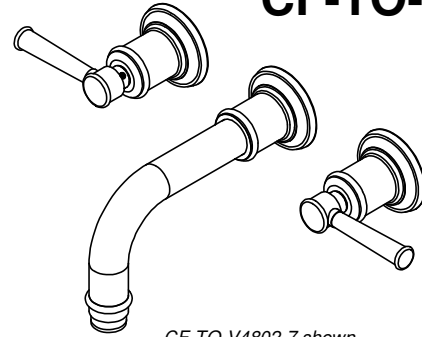
- 1.2 gpm (4.5 L/min) max flow rate
- Rough valve (CF-VL-R) sold separately
- Solid brass construction
- Over 30 finishes including 15 PVD finishes

Codes/Standards

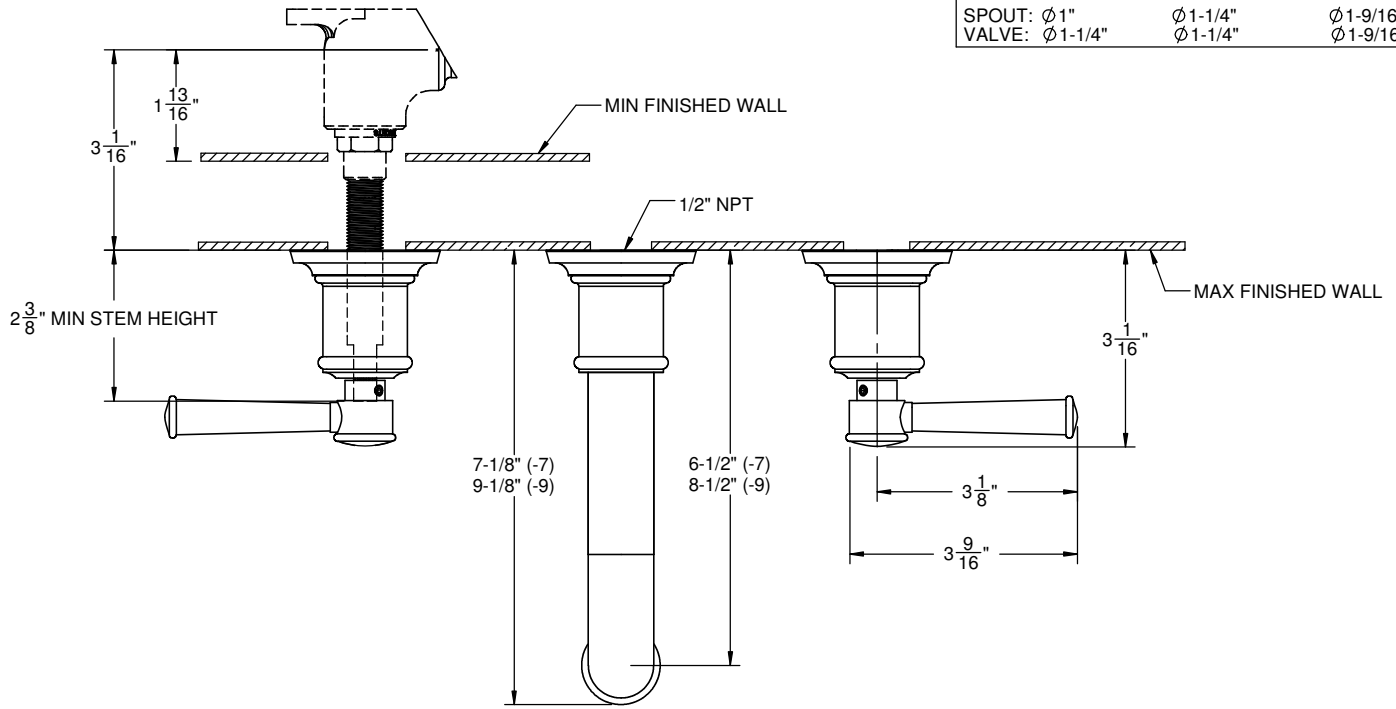
Product meets or exceeds the following:

- ASME A112.18.1/CSA B125.1
- NSF/ANSI 61 & NSF/ANSI 372
- CEC
- ADA compliant

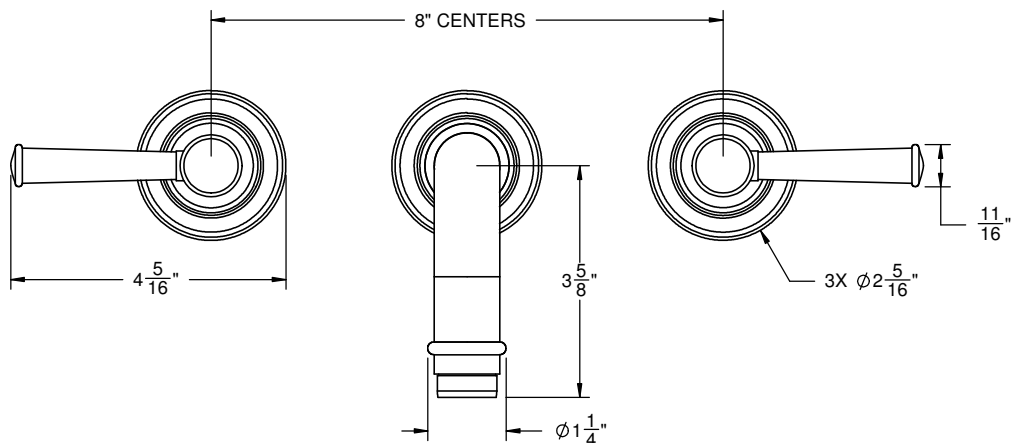
CF-TO-V4802-7/9



CF-TO-V4802-7 shown



THROUGH-HOLE SPECIFICATIONS		
MIN	RECOMMENDED	MAX
SPOUT: Ø1"	Ø1-1/4"	Ø1-9/16"
VALVE: Ø1-1/4"	Ø1-1/4"	Ø1-9/16"



ALL DIMENSIONS SHOWN TO NEAREST 1/16"