

Tubular Plastic Polypropylene

Model 515 Direct Drains

For most tubs 14" - 16" high

Durable 1.5" Tubular Polypropylene

SPECIFICATIONS

FEATURES:

- Metal strainer body for cast iron or plastic tubs
- Theft-resistant brass stopper
- Designed for heavy-duty use in hotels, motels, and rental property.
- Replaceable drip-proof Buna-N-Seal
- Retainer plate for overflow elbow

PATENTS:

- U.S. Pat. 4,457,030; 4,720,877; 5,758,368

THREAD SIZE (Strainer Body and Drain Tee):

- 1½" – 11½ NPSM (Coarse Thread)
- 1.865" Major Diameter (outside thread diameter)
- 11.5 threads per inch

PIPING:

- Polypropylene



ADA PRESFLO® (PF) and
Foot Actuated (FA) only

See price list for complete item numbers and available options.

When ordering, please specify complete item number and any applicable option codes.

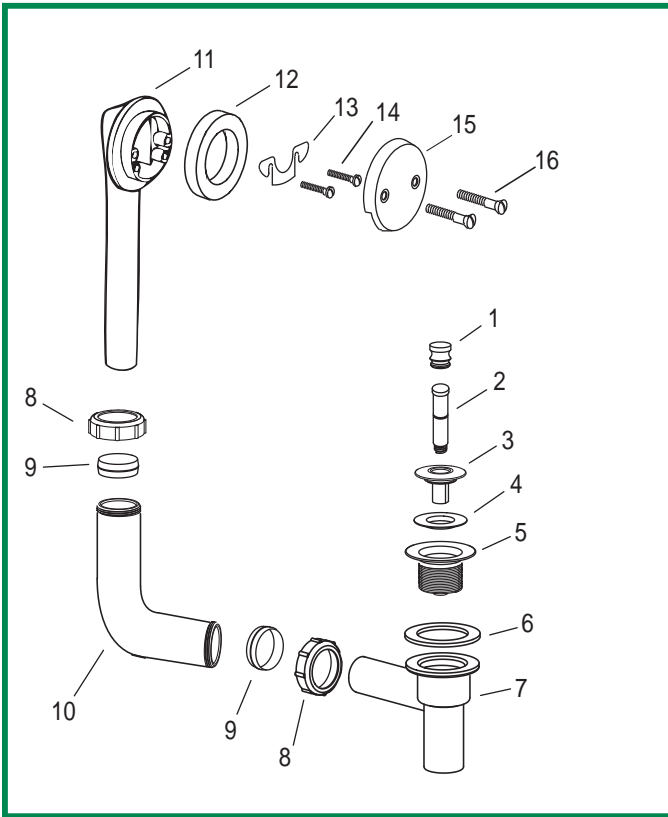


For More Information Contact:
WATCO Manufacturing Company
1220 South Powell Road
Independence, MO 64057-2724
Ph. 816-796-3900 • FAX 816-796-0875
www.watcomfg.com

Finishes Available in the 515 Series:

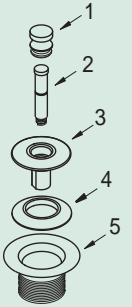
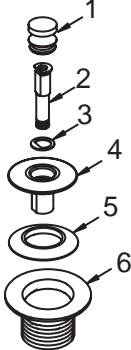

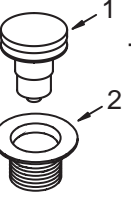
| Tub Closures: | PUSH PULL® | LIFT & TURN | PRESFLO® | FOOT ACT. |
|------------------------|------------|-------------|----------|-----------|
| CP - Chrome Plated | • | • | • | • |
| AB - Antique Brass | • | • | | |
| AP - Aged Pewter | • | • | • | |
| BB - Brushed Bronze | • | • | • | |
| BN - Brushed Nickel | • | • | • | • |
| BO - Bone | • | • | | |
| BS - Biscuit | • | • | | |
| BZ - Oil-Rubbed Bronze | • | • | • | • |
| CB - Chrome Brushed | • | • | • | |
| NP - Nickel Polished | • | • | • | • |
| PB - Polished Brass | • | • | • | • |
| PN - Pearl Nickel | • | • | • | |
| WH - White | • | • | | |
| WI - Wrought Iron | • | • | • | |

515 Direct Drain Series Parts List



| Item | Part # | Description |
|------|--------------|---|
| 1. | 01010CP..... | Knob, Brass |
| 2. | 11510..... | Friction Ring (11505) and Post (11532) |
| 3. | 01013CP..... | Stopper, Brass |
| 4. | 11507..... | Seal, 1 1/16" dia. |
| 5. | 01016CP..... | Strainer Body, Brass, 1.865" - 11.5 x 1.25" |
| 6. | 10696..... | Drain Ell Washer, 1.5", gray |
| 7. | 10081..... | Drain Tee for Direct Drain-Polypropylene |
| 8. | 11581..... | Slip Joint Nut, White, 1.5" |
| 9. | 11583..... | Slip Joint Polywasher, 1.5" |
| 10. | 10080..... | Tee for Direct Drain-Polypropylene |
| 11. | 10082..... | Overflow Ell for Direct Drain-Polypropylene |
| 12. | 10675..... | Overflow Ell Washer, Foam |
| 13. | 11530..... | Retainer Plate |
| 14. | 11540..... | Retainer Plate Screws |
| 15. | 01003CP..... | 2-Hole Overflow Plate, Metal |
| 16. | 01024CP..... | Screw, Overflow Plate, 2.25" |

OPTIONAL TUB CLOSURES FOR 515-SERIES BATH WASTES (PUSH PULL® ALSO SHOWN ABOVE)

|  PUSH PULL® Coarse Thread |  LIFT & TURN Coarse Thread |  PRESFLO® Coarse Thread |  FOOT ACTUATED Coarse Thread |
|---|---|--|---|
| 1. 01010CP 01010__* 2. 11510 3. 01013CP 01013__* 4. 11507 5. 01016CP 01016__* U.S. Pat. No. 4,720,877 | 1. 01010CP 01010__* 2. 11079 3. 11088 4. 11290CP 01013__* 5. 11507 6. 11492CP 01016__* U.S. Pat. No. 5,758,368 | 1. 11145CP 11145__* 2. 11132 3. 11060CP 11060__* 4. 96039: Suction Cup for removing stopper U.S. Pat. No. 4,457,030 | 1. 38412CP 38412__* 2. 11492CP 01016__* |

***If finish other than Chrome is desired, please use this part number and indicate desired finish.**