

Wyeth™ Two-Way Diverter Trim

FEATURES

- Lever handle
- For use with the Two-Way Diverter Valve (TSMVW)

COLORS/FINISHES

- #CP Polished Chrome
- #BN Brushed Nickel
- #PN Polished Nickel

CODES/STANDARDS

- Meets or exceeds ASME A112.18.1/CSA B125.1
- Certifications: IAPMO(cUPC), State of Massachusetts and others
- Code Compliance: UPC, IPC, NSPC, NPC Canada, and others
- ADA compliant



PRODUCT SPECIFICATION

Two-way diverter trim shall have a lever handle. Product shall be TOTO Model TS230DW#____ and required valve shall be TSMVW sold separately.

TS230DW

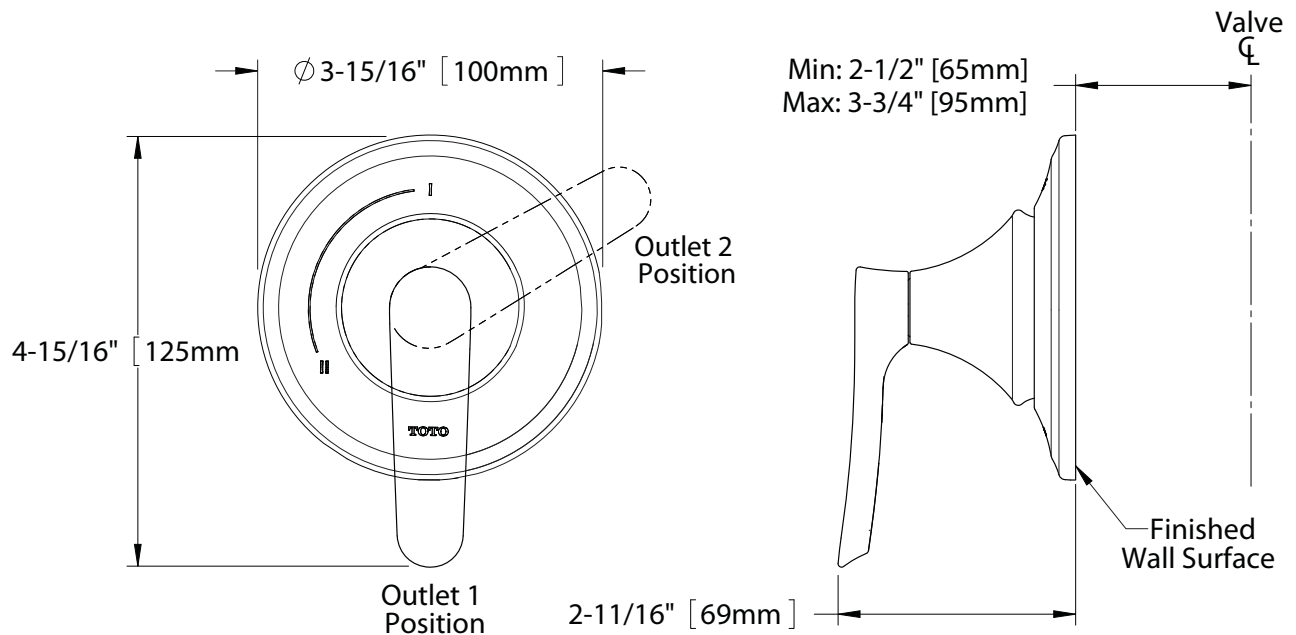
Wyeth™ Two-Way Diverter Trim

SPECIFICATIONS

- Warranty Lifetime Limited Warranty (Residential Use)
One Year (Commercial Use)
- Material Brass
- Shipping Weight 1.7 lbs.
- Shipping Dimensions 7"L x 3-1/2"W x 4"H

INSTALLATION NOTES

VALVE REQUIRED:
Two-way diverter valve with off model TSMW sold separately.



TOTO®

These dimensions and specifications are subject to change without notice