

SUPPLY TUBE

285 & 287 SERIES

SPECIFICATION

Sioux Chief poly supply tube shall be used for connecting water supply to closet, lav or sink and shall meet or exceed ASME A112.18.6.

MATERIALS

Tube: crosslinked polyethelene with molded head

Ferrule: nylon

INSTALLATION

Connect to supply valve making sure nylon ferrule is positioned on tube.

SAFE WORKING TEMPERATURE

Rated for 100 psi at 180°F

CERTIFICATIONS

ASME A112.18.6

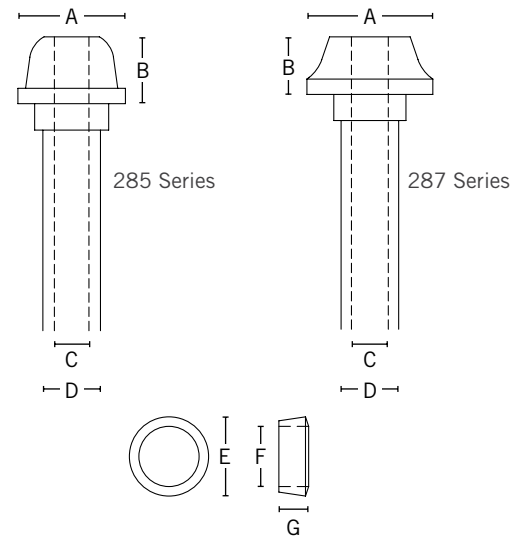
NSF-PW-G

ASTM F876

DIMENSIONS

	285 Series (Lavatory)	287 Series (Closet)
A: nose/head diameter	0.700"	0.820"
B: nose/head height	0.405"	0.435"
C: tube inner diameter	0.240"	0.225"
D: tube outer diameter	0.375"	0.375"
E: ferrule outer diameter	0.500"	0.500"
F: ferrule inner diameter	0.380"	0.380"
G: ferrule depth	0.188"	0.188"

ITEM # SUBMITTED	_____
JOB NAME	_____
LOCATION	_____
ENGINEER	_____
CONTRACTOR	_____
PO#	_____ TAG _____



Create Item Number

28A-B

e.g. **287-20**: 20"-long closet supply tube

APPLICATION A	LENGTH B
5 = lavatory/sink	12 = 12"
7 = closet	20 = 20"
	30 = 30" (lavatory/sink only)
	36 = 36" (lavatory/sink only)