



ENGINEERING EXCELLENCE

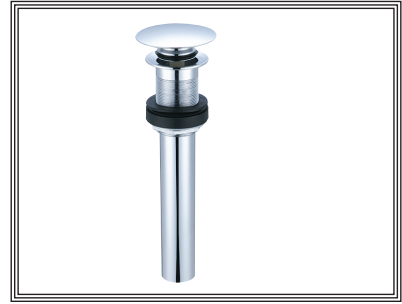
Accessories #X-6300011 SPECIFICATION SHEET

DESCRIPTION

- Push Down Drain With Overflow

FINISHES

- PC PVD Polished Chrome
- BN PVD Brushed Nickel



#X-6300011 SHOWN

STANDARDS APPLICABLE

- ASME A112.18.1

Model #: _____

Specific Features: _____

Project Name: _____

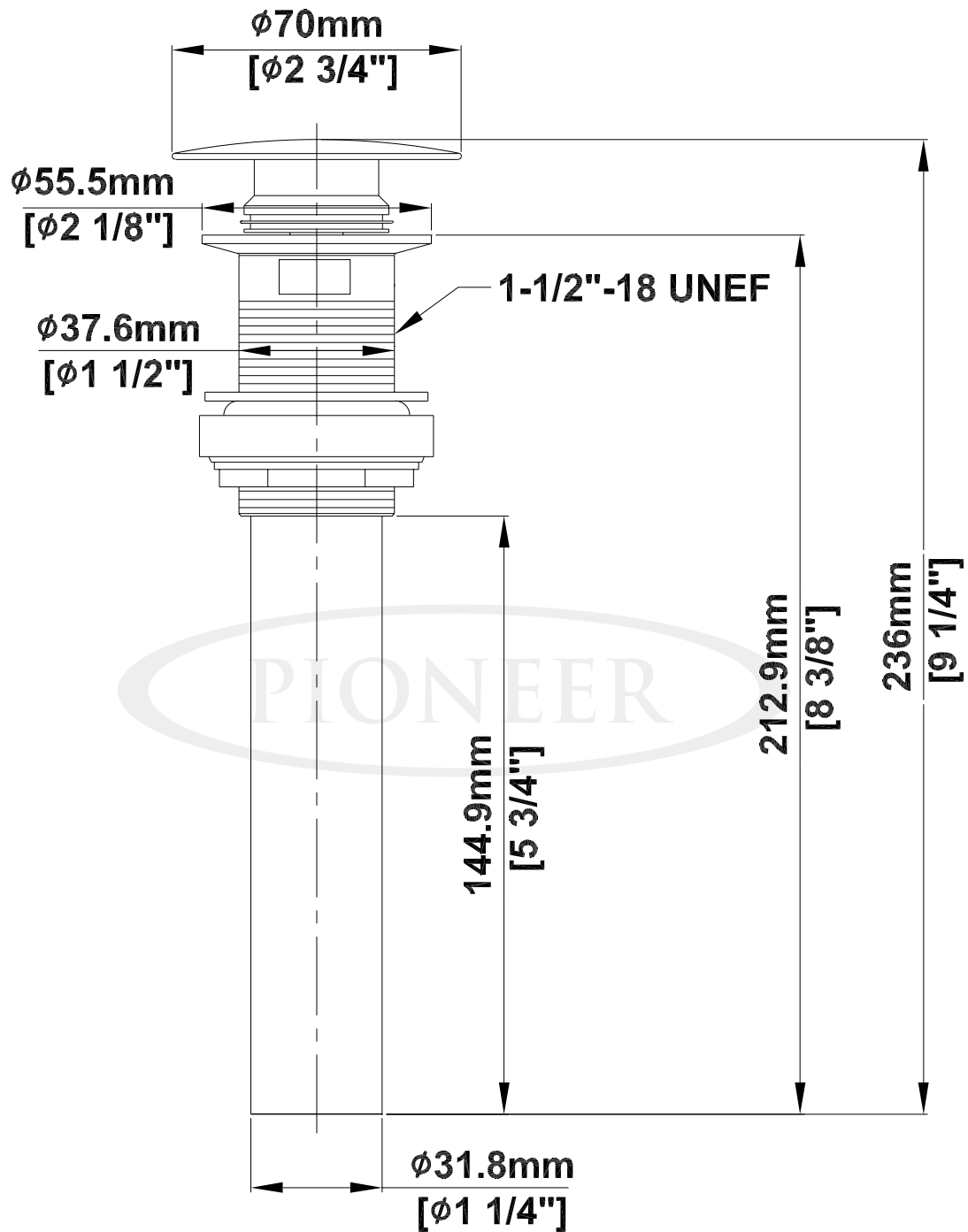
Submitted For: _____

Model	Description	Finishes	
#X-6300011	Push Down Drain With Overflow	<input type="checkbox"/> PC	<input type="checkbox"/> Other__



ENGINEERING EXCELLENCE

Pioneer:1-800-338-9468
 Commerce, CA 90040
 www.pioneerind.com
 Pioneer Industries, Inc. © 2009



Product Diagram



ENGINEERING EXCELLENCE

Pioneer: 1-800-338-9468
 Commerce, CA 90040
 www.pioneerind.com
 Pioneer Industries, Inc. © 2009