



ENGINEERING EXCELLENCE

Motegi Series #2MT275

SPECIFICATION SHEET

DESCRIPTION

- Single Handle Pre-Rinse Spring Pull-Down Kitchen Faucet
- Metal Lever Handle
- Pull-Down Head with 2 Spray Patterns Swivel 360°
- 9" Reach, 7" from Deck to Aerator, 19-3/4" Overall Height
- Ceramic Disc Cartridge
- 1 Hole Installation
- Optional 3-Hole Deck Plate Available
- Easy-Install 30" Flex Supply Lines With 3/8" Connections
- Quick Connect Spray Head Hose and Weight, Easy-install mounting nut

FINISHES

- PC Polished Chrome
- BN PVD Brushed Nickel



#2MT275 SHOWN * ADA 

FLOW

- Pull-Down Sprayhead Limited to 1.8 GPM

Model #: _____

Specific Features: _____

Project Name: _____

Submitted For: _____

STANDARDS APPLICABLE

- ASME A112.18.1
- ANSI A117.1
- ANSI / NSF 61, SECTION 9
- ADA COMPLIANT
- CONTAINS NO MORE THAN 0.25% WEIGHTED AVERAGE LEAD CONTENT

Model	Description	Finishes	
#2MT275	Single Handle Pull Down Kitchen Faucet	<input type="checkbox"/> PC	<input type="checkbox"/> Other____

DMSP2MT275/REV. 06 2018
Page 1 of 2



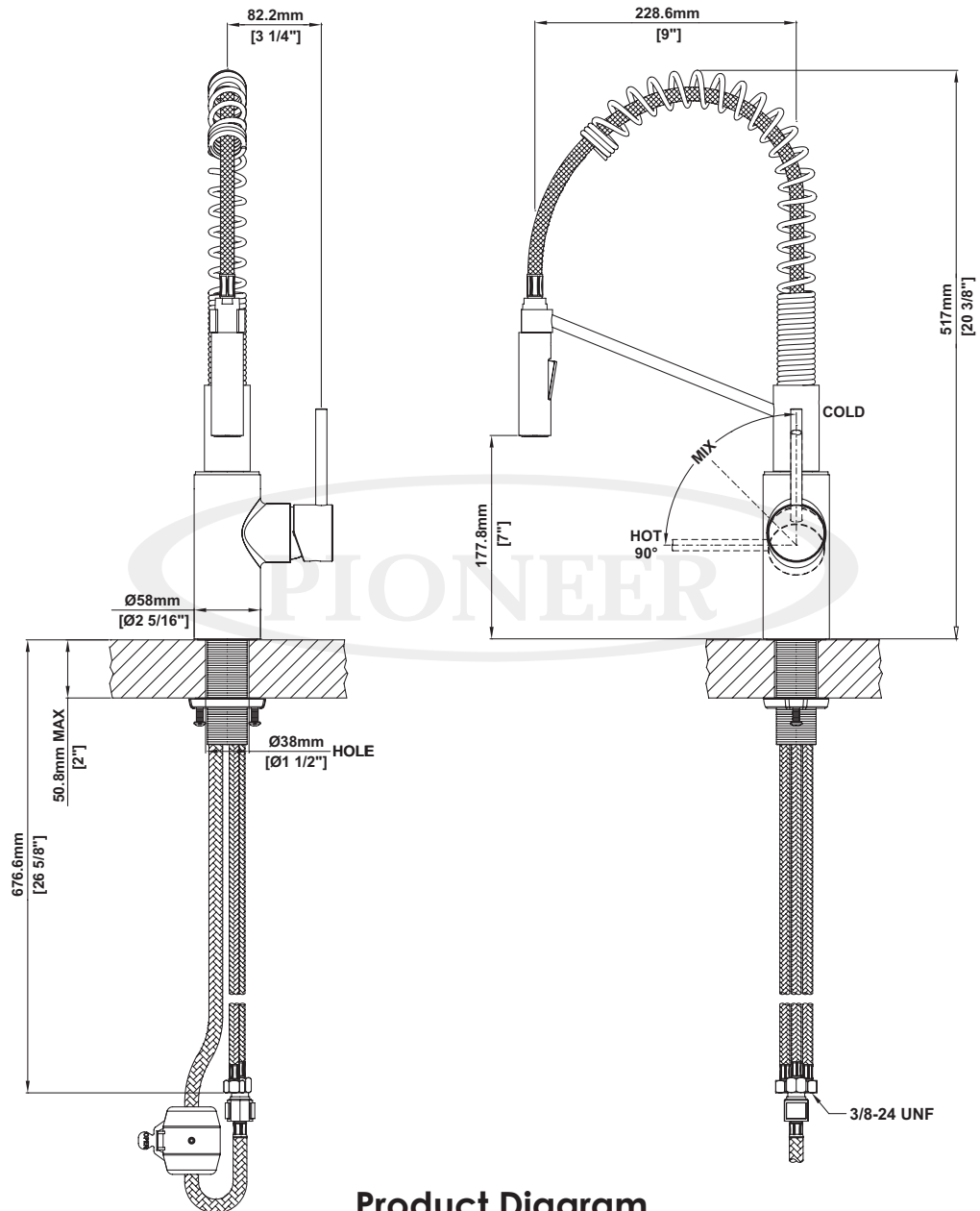
ENGINEERING EXCELLENCE

Pioneer:1-800-338-9468
Commerce, CA 90040
www.pioneerind.com
Pioneer Industries, Inc. © 2018

Installation Note:

Faucet Hole Size:- 1-1/2"

Maximum Deck Thickness:- 2"



Product Diagram



ENGINEERING EXCELLENCE

Pioneer:1-800-338-9468

Commerce, CA 90040

www.pioneerind.com

Pioneer Industries, Inc. © 2018