



INSTALLATION

PIONEER INDUSTRIES, INC.
 3325 S. Garfield Ave.
 Commerce, CA 90040
 (800) 338-9468
 www.pioneerind.com

Tools:



Adjustable Wrench Phillips screwdriver Plumbers Putty Teflon Tape Rags

Model Number: 2LG250, 2MT250, 2MT251
 2MT260, 2MT261

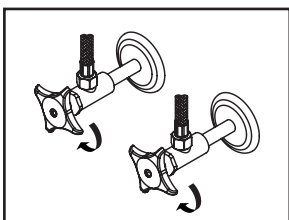


Warnings and Notes:

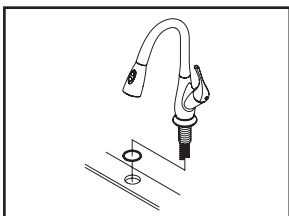
Check with local plumbing code requirements before installation.
 This product should be installed by a local listed plumber.
Do not use plumbers putty on threads.

Installation Steps:

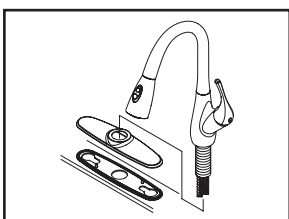
Single Handle Pull-Down Kitchen Faucet



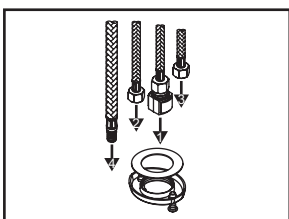
(1) Shut off water supplies. Remove old faucet. Clean mounting surface in preparation for new faucet.



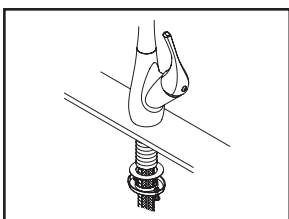
(2) **For 1-Hole Installation:**- Make sure washer is under escutcheon, slide escutcheon for 1-hole installation to the faucet body. Insert faucet through mounting hole.



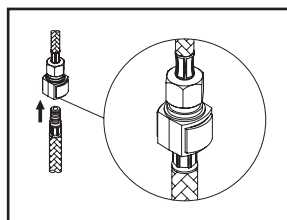
(3) **For 3-Hole Installation:**- Install supplied deck plate underneath of the faucet. Apply plumbers putty under the base gasket. Place the faucet in position on the sink.



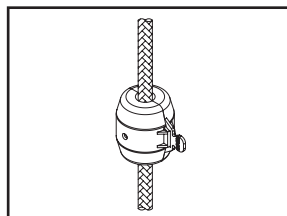
(4) Please follow the order as drawing shows to insert flex hose through center hole of the locknut from underneath of the sink.



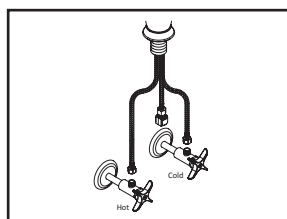
(5) From underneath of the sink hand-tighten locknut to the faucet. Position faucet to desired location from top. Tighten screws on locknut with the help of Phillips head screwdriver to secure faucet.



(6) Insert spray head hose into end of quick connect adapter on the outlet hose, push until a "click" is heard. Pull down to test engagement.



(7) Install weight on spray head hose. Adjust weight's position so the spray head can be retracted properly.

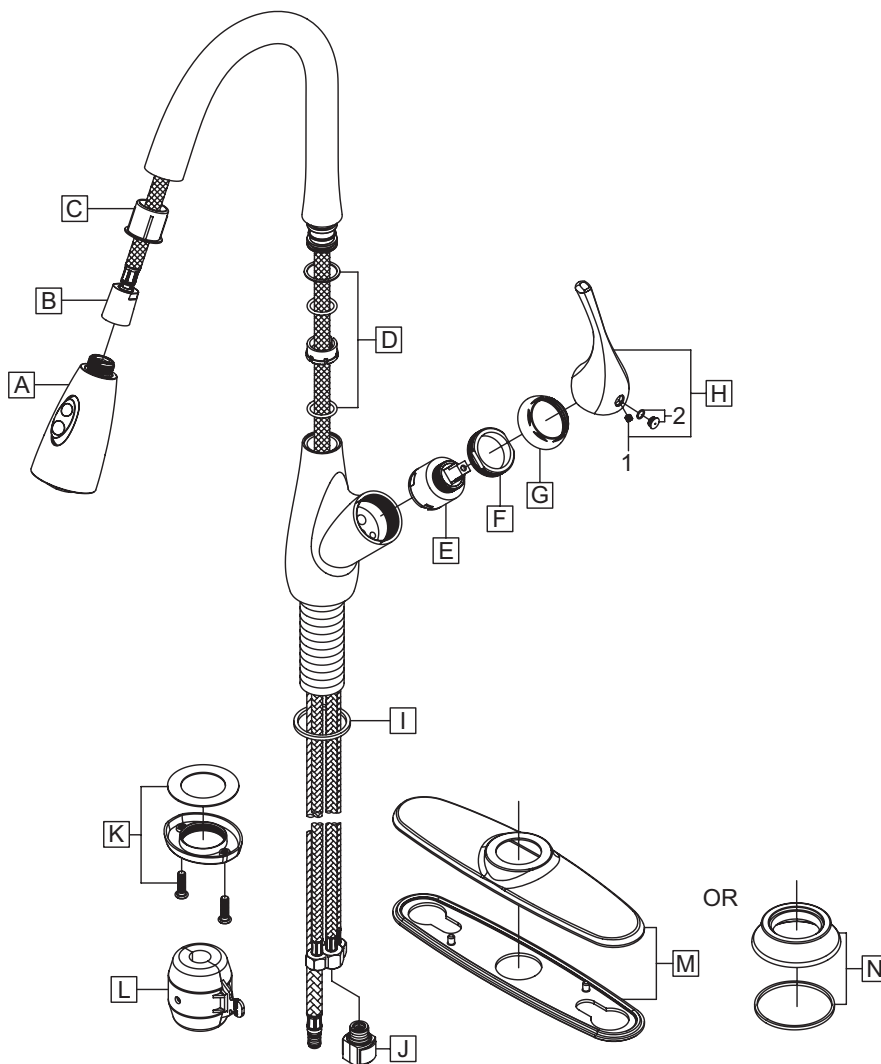


(8) Connect hot and cold inlet supply hoses to supply stops. For 1/2" connection; use 3/8" male to 1/2" female adapter for installation. Adapters are optional and not provided with the faucet.

Exploded Drawing (2LG250):

* Note: Please specify finish/color when ordering.

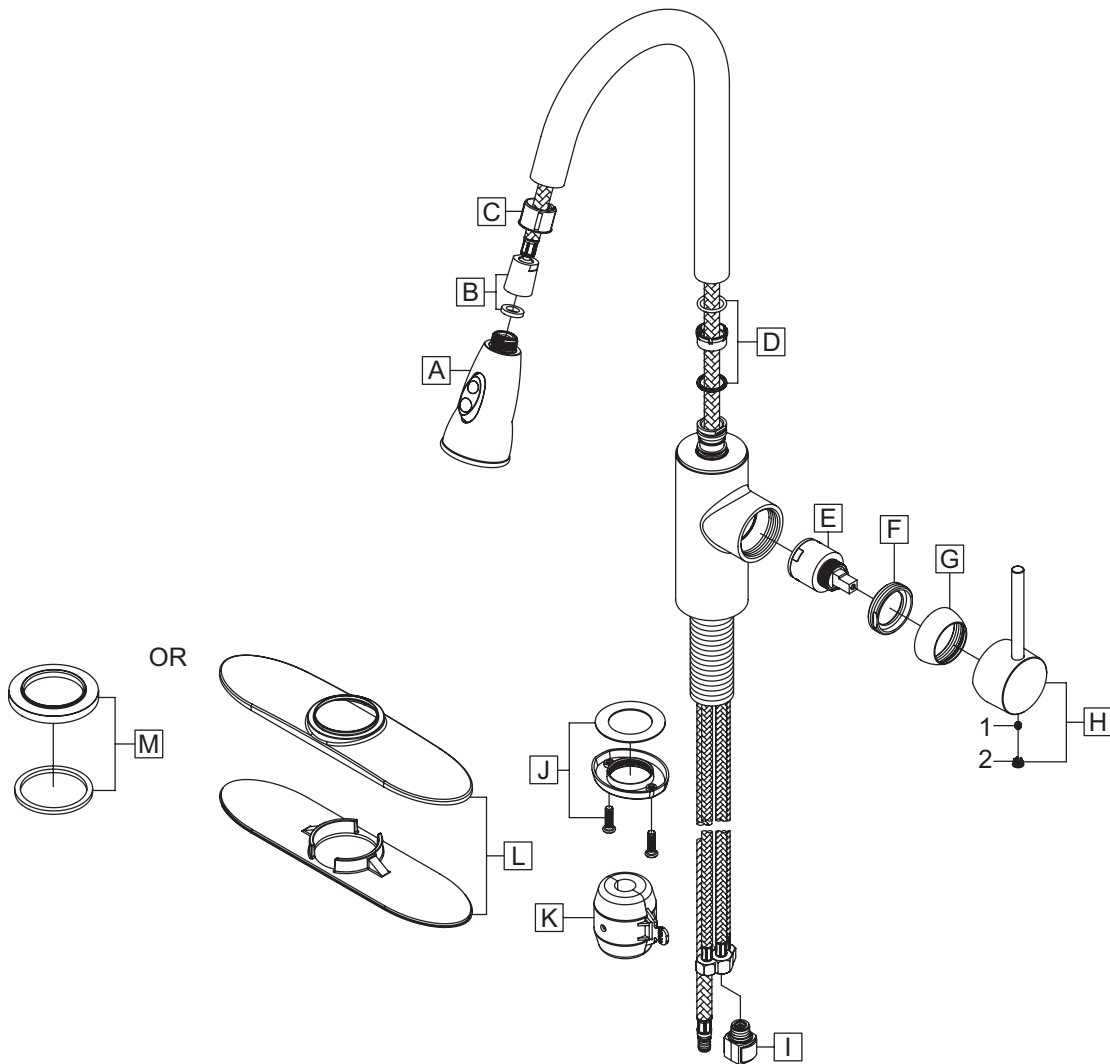
	ITEM #	DESCRIPTION
A	X-4200195*	1.8 GPM Spray Head
B	X-4200197	Spray Hose
C	X-4200148	Spray Head Support
D	X-4200112	Spout Repair Kit
E	X-3900008	Ceramic Disc Cartridge
F	X-4200002	Retainer Nut
G	X-4200001*	Cap
H	X-1200016*	Lever Handle
I	X-4200113	Washer
J	X-4200199	Quick Connect
K	OP-520015	Locknut with Screws
L	OP-420070	Weight
M	X-4200169*	Deck Plate & Base Gasket
N	X-4200152*	Escutcheon & Washer
1	X-4400024	Allen Screw
2	X-4400073*	Hole Cover



Exploded Drawing (2MT250):

* Note: Please specify finish/color when ordering.

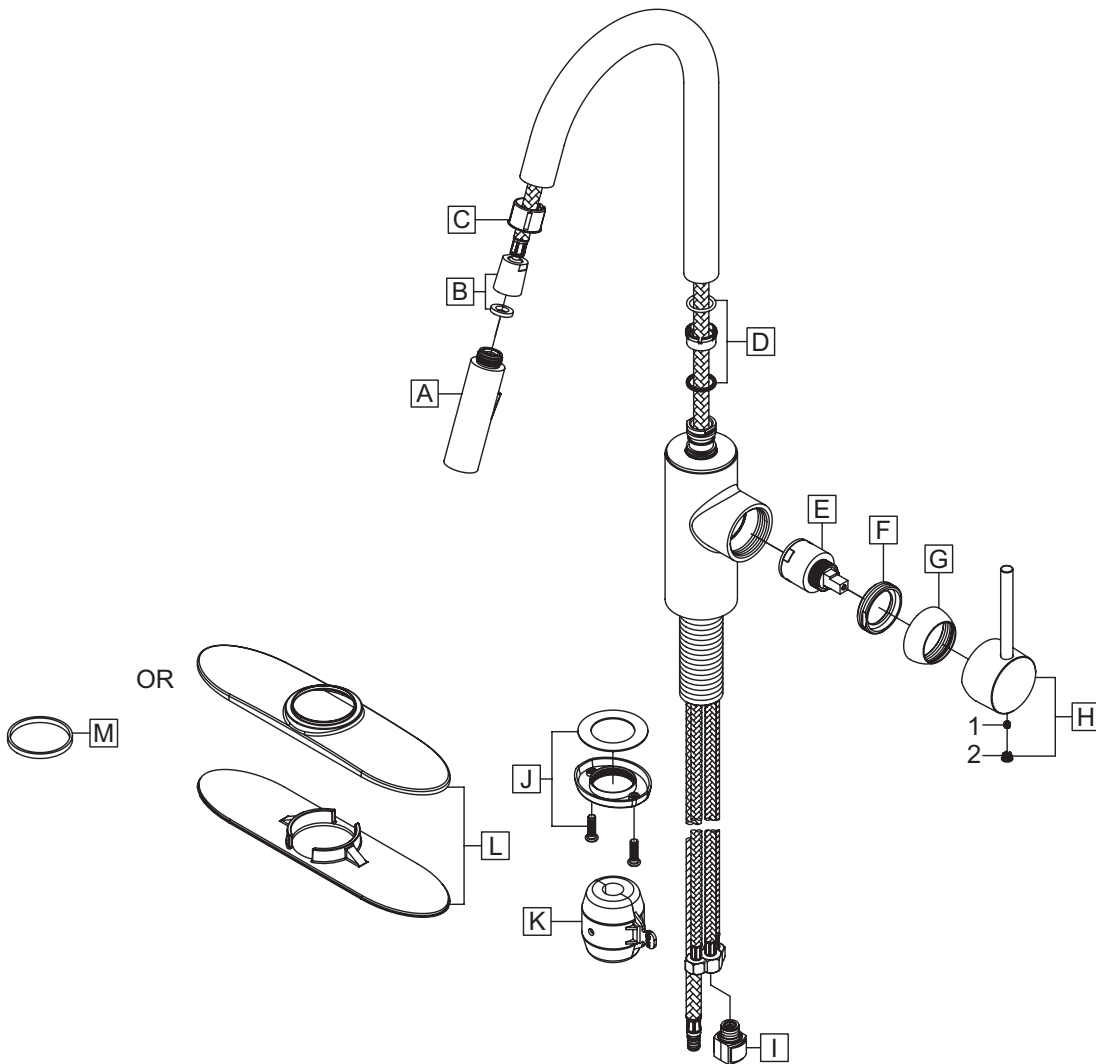
	ITEM #	DESCRIPTION
A	X-4200196*	1.8 GPM Spray Head
B	X-4200197	Spray Hose
C	X-4200178	Spray Head Support
D	X-4200191	Spout Repair Kit
E	X-3900008	Ceramic Disc Cartridge
F	X-4200192	Retainer Nut
G	X-4400032*	Cap
H	X-1200024*	Lever Handle
I	X-4200199	Quick Connect
J	OP-520015	Locknut with Screws
K	OP-420070	Weight
L	X-4200075*	Deck Plate & Base Gasket
M	X-4200074*	Escutcheon & Washer
1	X-4400024	Allen Screw
2	X-4900044*	Hole Cover



Exploded Drawing (2MT260):

* Note: Please specify finish/color when ordering.

	ITEM #	DESCRIPTION
A	X-4200181*	1.8 GPM Spray Head
B	X-4200197	Spray Hose
C	X-4200178	Spray Head Support
D	X-4200191	Spout Repair Kit
E	X-3900008	Ceramic Disc Cartridge
F	X-4200192	Retainer Nut
G	X-4400032*	Cap
H	X-1200024*	Lever Handle
I	X-4200199	Quick Connect
J	OP-520015	Locknut with Screws
K	OP-420070	Weight
L	X-4200075*	Deck Plate & Base Gasket
M	X-4200187	Washer
1	X-4400024	Allen Screw
2	X-4900044*	Hole Cover



For more care information or trouble shooting inquiries about your Pioneer product, please call:
Pioneer Industries, Inc. (800) 338-9468
 Monday-Friday 8 AM to 8 PM EST (5 AM to 5 PM PST)
www.pioneerind.com