

4" Two Handle Lavatory Faucet



Product Spec Sheet

FEATURES & BENEFITS

OPV-400C
Chrome Finish

- This Product Contains Less Than 0.25% Weighted Average Lead Content On Wetted Surfaces
- Metal Round Handles
- Washerless Cartridges
- Brass pop-up
- Max Flow Rate 1.2 gpm (4.5 L/min) at 60 psi (ASME A112.18.1M/A112.18.1)

APPROVALS:

Meets or Exceeds The Following:

- * ANSI/ASME A112.18.1M/A112.18.1
- * NSF/ANSI 61 - Sec. 9
- * NSF/ANSI 372
- * IAPMO/cUPC
- * CA AB1953



NSF/ANSI 372
NSF/ANSI 61-9



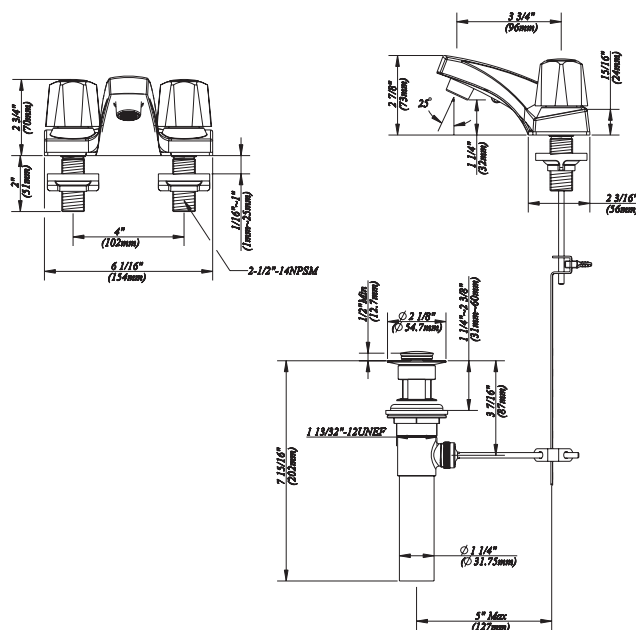
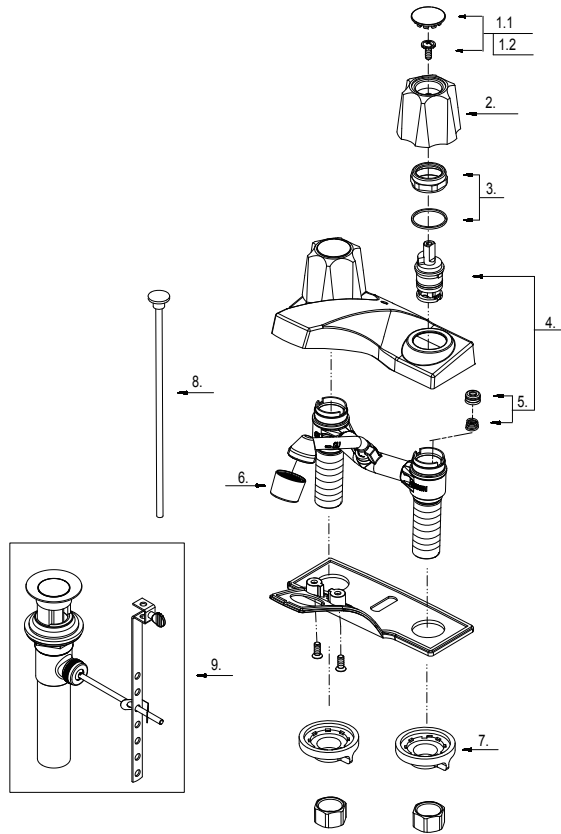
TEL: 800-217-4603

FAX: 877-992-2846

Visit Our Web Site : www.omniprofaucets.com

4" Two Handle Lavatory Faucet

No.	Name	Part No.
1.1	Index Button-Cold	A66D584C
1.2	Index Button- Hot	A66D584H
2	Metal Handle	A029009
3	Retainer Nut & Washer	A66D639
4	Cartridge Assembly	A66D091N
5	Seat & Spring Set	A663002
6	Aerator	A500267N-64
7	Lock Nut Set	A504023
8	Lift Rod	A025011
9	Pop-up Assembly	A556200



Product Spec Sheet