

□ **OPB-152C**

□ **OPB-152SS**

Omnipro

Single Handle Pull Down Kitchen Faucet

Product Spec Sheet



FEATURES & BENEFITS

- This Product Contains Less Than 0.25% Weighted Average Lead Content On Wetted Surfaces
- Optional Metal Deck Plate Included
- One Hole Or Three Hole Installation
- Ceramic Cartridge
- Integrated Supply Lines
- Quick Install Nut
- Max Flow Rate 1.8 gpm(6.8L/min) at 60 psi (ASME A112.18.1/A112.18.1)

OPB-152C
Chrome Finish

OPB-152SS
Stainless Steel Finish

Approvals:

Meets or Exceeds The Following:

- * ANSI/ASME A112.18.1/A112.18.1
- * NSF/ANSI 61 - Sec. 9
- * NSF/ANSI 372
- * IAPMO/cUPC
- * CA AB1953
- * ADA Compliant
- * NSF/ANSI/CAN 61: Q ≤ 1

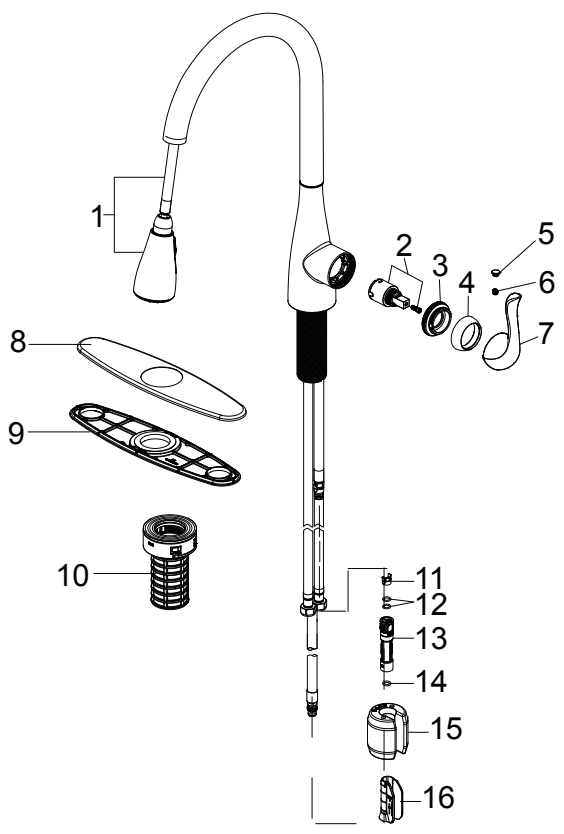


TEL: 800-217-4603

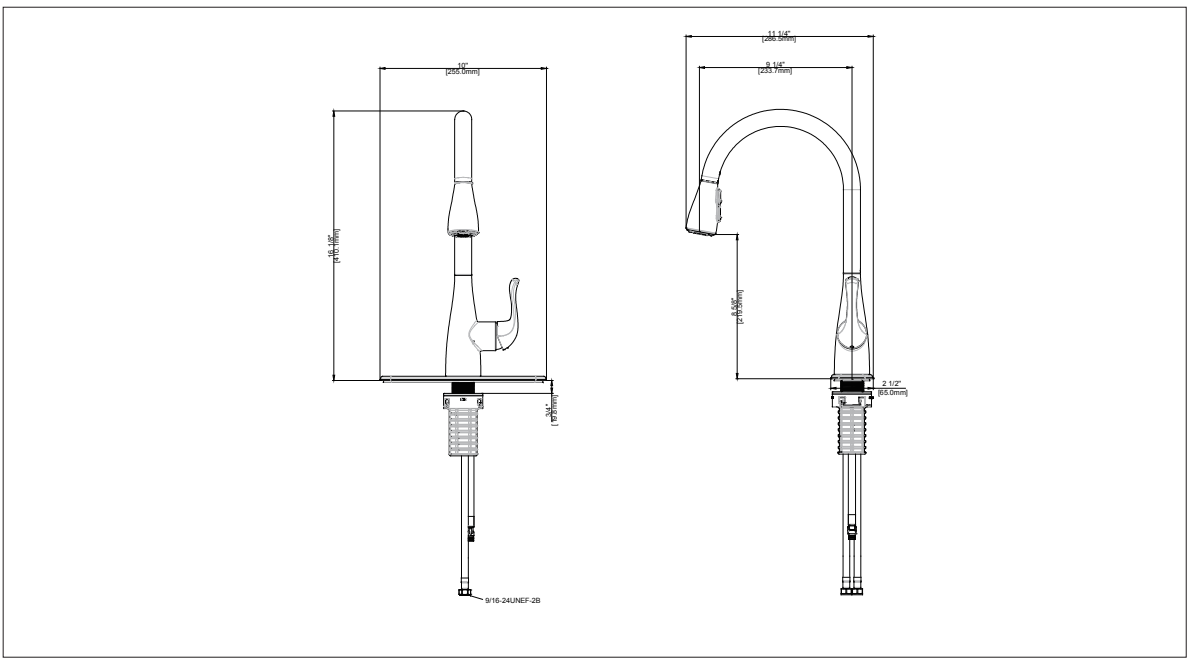
Visit Our Web Site : www.omniprofaucets.com

Single Handle Pull Down Kitchen Faucet

No.	Name	Part No.			
1	Spray head and Hose / Cabezal rociador y manguera	RP38539*			
2	Cartridge / Cartucho	RP20103			
3	Bonnet / Bonete	RP70688			
4	Cap / Tapa	RP80028*			
5	Index / Índice	RP10006			
6	Set screw / Tornillo de fijación	RP50002			
7	Handle / Llave	RP13857*			
8	Escutcheon / Placa protectora	RP80542*			
9	Gasket / Junta	RP80830			
10	Quick install nut / Tuerca de instalación rápida	RP56096			
11	Block / Bloque	RP70421			
12	O-ring / Aro tórico	RP60002			
13	Quick connect assembly / Ensamblaje del conector rápido	RP70697			
14	O-ring / Aro tórico	RP60089			
15	Weight / Peso	RP70689	16	Weight clip / Sujetador con peso	RP70590
16	Weight clip / Sujetador con peso	RP70590			



* Specify Finish
* Especifique el Acabado



Product Spec Sheet