



**OLYMPIA FAUCETS, INC.**  
 3325 S. Garfield Ave.  
 Commerce, CA 90040  
 (888) 772-7701  
 www.olympiafaucets.com

# INSTALLATION

**Tools:**



Flat Head Screwdriver



Plumbers Putty



Teflon Tape



Rags

**Model Number: D-820R-PVC, D-820RS-PVC**

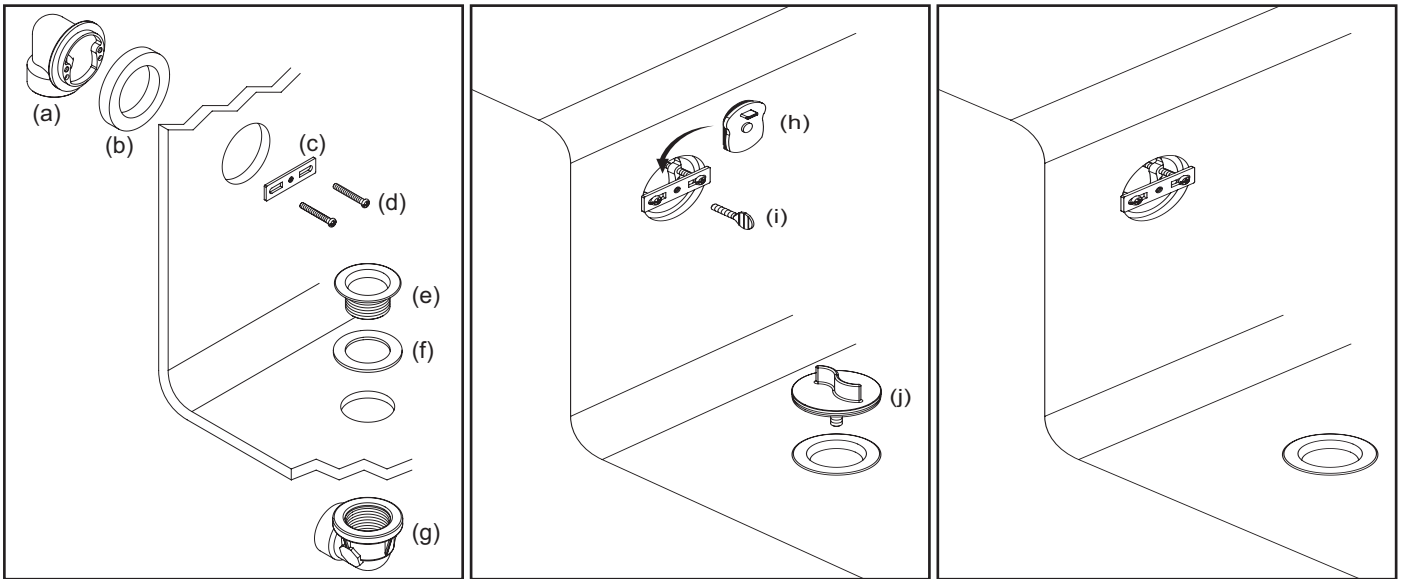
**Warnings and Notes:**

Check with local plumbing code requirements before installation.  
 This product should be installed by a local listed plumber.  
**Do not use plumbers putty on threads.**



**Installation Steps:**

**Rough-in**



(1) Have (a) Drain Head and (b) Sponge Washer align with the overflow cut-out. (Rotate sponge washer to match angle of tub) Align (c) Horizontal Bar's cut-out with (a) Drain Head's thread holes as much leveled to ground as possible. Rotate the provided (d) Screws clockwise through (c) Horizontal Bar's cut-out and into (a) Drain Head until tighten, but do not overtighten. Align (e) Strainer, (f) Rubber Washer, and (g) Drain Shoe with the tub drain hole cut-out shown in picture. (Rotate Drain Shoe to desire direction) Rotate the (e) Strainer clockwise with the (f) Rubber Washer into the (g) Drain Shoe until tighten, but do not over tighten.

(2) Insert (h) Overflow Test Cap into the overflow cut-out and rotate clockwise the provided (i) Test Cap Pin into pre-threaded hole at the center of the (c) Horizontal Bar until tighten, but do not over tighten. Rotate clockwise (j) Tub Drain Test Cap into the (e) Strainer until tighten, but do not over tighten. Finish testing process to ensure no leak is found behind/under the bath tub.

(3) Once testing process is completed, please remove the (i) Test Cap Pin first, then remove (h) Overflow Test Cap and (j) Tub Drain Test Cap from previous steps. \*Note: For D-820H-PVC and D-820HS-PVC series, please proceed to installation instruction for trim kits.



For more care information or trouble shooting inquiries about your Olympia product, Please call:  
**OLYMPIA FAUCETS, INC.** (888) 772-7701  
 Monday-Friday 8 AM to 8 PM EST (5 AM to 5 PM PST)  
 www.olympiafaucets.com