

# Oasis 3-Piece, 48-inch Shower Compartment With ActivLife 3-Bar (2-horizontal / 1-vertical) Package



**Specification** – Oasis 3-piece FRP gelcoat shower compartment SH3P-4832, offered in a standard 4-inch or 6-inch (ABF) dam configuration. ActivLife package includes a single horizontal bar on the back wall and control wall, and a vertical bar on the control wall.

**Standards Certification:**

The shower compartment listed is manufactured in compliance with ANSI Z124 Standards, and certified through an ongoing, independent quality assurance and testing program.

The factory-applied grab bar package is certified through an independent review program.

48-inch / Private Access / Bars Only



**SH3P-4832 / BP2-L**  
(3-bar package)  
Model & Package Illustrated

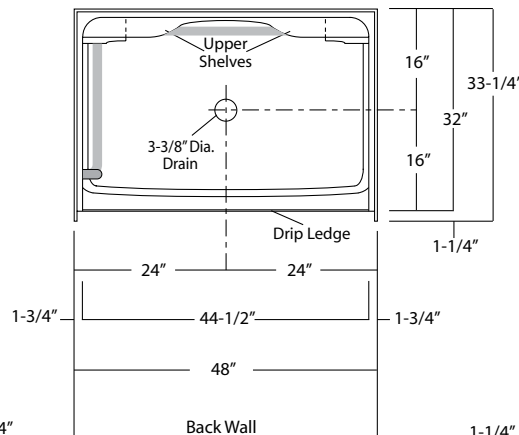
**NOTE:** Positioning of factory attached grab bars allow for installation of a shower enclosure.



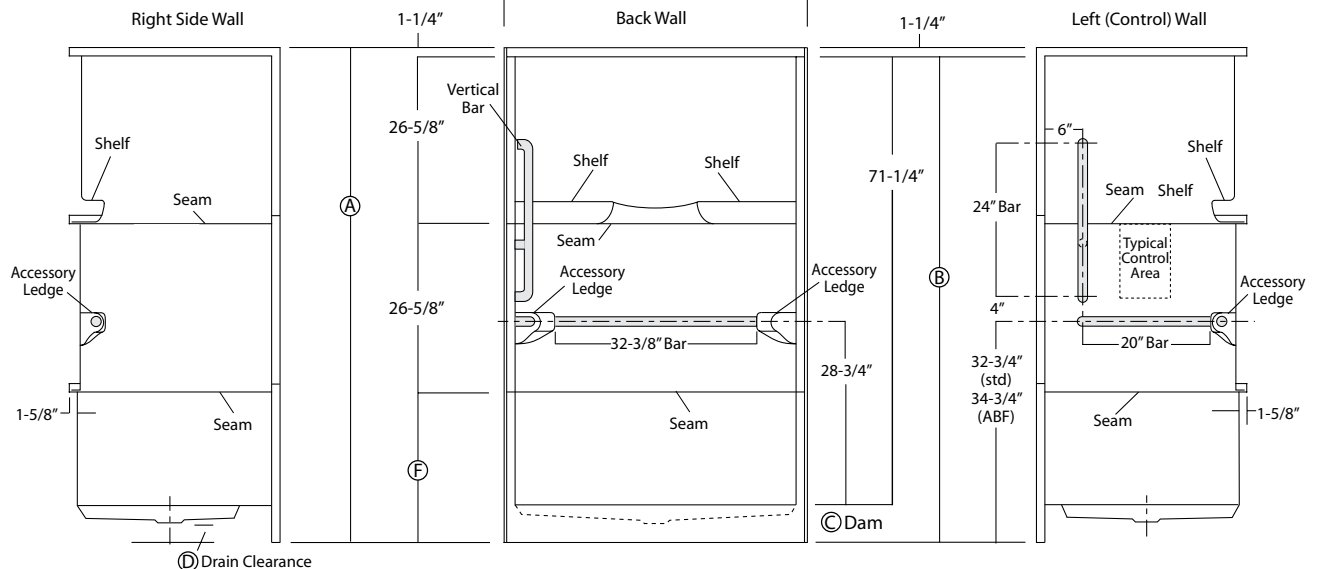
**Home Innovation**  
LAB CERTIFIED™



	Std Unit	ABF Unit
A	76-1/2"	78-1/2"
B	75-1/4"	77-1/4"
C	4"	6"
D	1"	3"
E	-	-
F	22"	24"



**Enclosure Size:**  
44-1/2" w (max) x 71-1/4" h (max)



Dimensions shown are maximum. Due to the nature of the materials involved, actual unit dimensions can vary (tolerances: +0 / -3/8 inch). Oasis reserves the right to modify or discontinue product and/or associated equipment without prior written or verbal notification or obligation.

Model ID	Package Code	Description (define configuration referencing control side)
----------	--------------	---

SH3P-4832 (Std or ABF)	/ BP2-R (right wall)	48" x 32", 3-piece, center drain shower with 4" (std) or 6" (ABF) dam, and ActivLife 1.50" dia. stainless steel 3-bar package (single horizontal bar on back wall and control wall, single vertical bar on control wall).
SH3P-4832 (Std or ABF)	/ BP2-L (left wall)	

**Powder Coated Bar Packages (1.25-inch dia.)**

SH3P-4832 (Std or ABF)	/ BP2-R WHT (right wall)	48" x 32", 3-piece, center drain shower with 4" (std) or 6" (ABF) dam, and ActivLife 1.25" dia. white powder coated 3-bar package (single horizontal bar on back wall and control wall, single vertical bar on control wall).
SH3P-4832 (Std or ABF)	/ BP2-L WHT (left wall)	
SH3P-4832 (Std or ABF)	/ BP2-R OFW (right wall)	48" x 32", 3-piece, center drain shower with 4" (std) or 6" (ABF) dam, and ActivLife 1.25" dia. off-white powder coated 3-bar package (single horizontal bar on back wall and control wall, single vertical bar on control wall).
SH3P-4832 (Std or ABF)	/ BP2-L OFW (left wall)	
SH3P-4832 (Std or ABF)	/ BP2-R SNK (right wall)	48" x 32", 3-piece, center drain shower with 4" (std) or 6" (ABF) dam, and ActivLife 1.25" dia. nickel finish 3-bar package (single horizontal bar on back wall and control wall, single vertical bar on control wall).
SH3P-4832 (Std or ABF)	/ BP2-L SNK (left wall)	

**Package Notes:**

1. Model available without listed package.
2. For 2-bar package, removing the vertical bar on control wall, see ActivLife "BP1" package code.
3. For 3-wall horizontal bar package, see ActivLife "BP3" package code.
4. For single horizontal bar package, see ActivLife "BP5" package code.
5. For REINFORCEMENT ONLY for horizontal bars (HUD/FHA-Fair Housing), see ActivLife "FH" package code.
6. For expanded reinforcement package options, (with or without listed package components), see ActivLife "3SM" and "3SF" package codes.

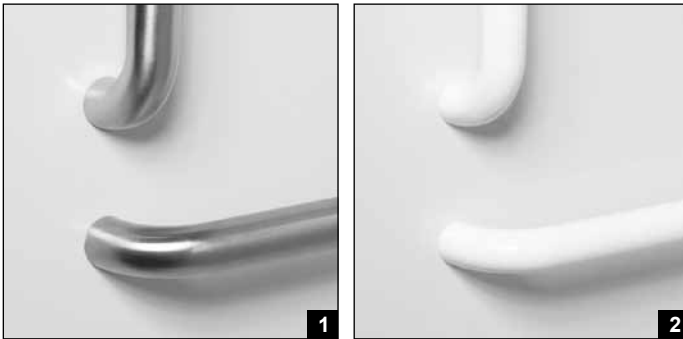
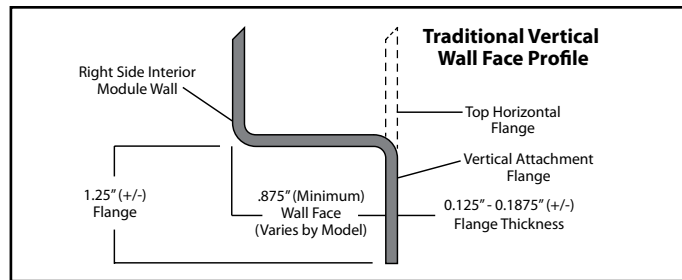


Photo 1: Grab Bars: Factory-installed 1.50-inch diameter, concealed attachment, 18 gauge, #304 brushed stainless steel grab bars. Concealed attachment design provides tamper-resistance and minimizes debris collection areas at contact points, compared to common exposed flange bar designs, without compromising bar attachment integrity. (Reinforced areas include a structural core material encapsulated in FRP composite.)

Photo 2: Grab Bars: Factory-installed 1.25-inch dia. powder coated (in finishes listed above), concealed attachment, 18 gauge, #304 stainless steel grab bars. Concealed attachment design provides tamper-resistance and minimizes debris collection areas at contact points, compared to common exposed flange bar designs, without compromising bar attachment integrity. (Reinforced areas include a structural core material encapsulated in FRP composite.)