

# NTL-158

## Gimbal Ring Track Pack Line Voltage Track Pack

Lamps: 75W Par30

### PRODUCT DESCRIPTION

One 4' single circuit extruded aluminum track with 20-Amp rated flat, solid integral conductors equipped with two end caps. Two or three line voltage PAR adjustable gimbal track heads. The track pack also includes a floating canopy feed, which allows the track to connect to an existing outlet box anywhere along the track.

### Features

- Deep drawn steel socket cup housing for high strength and rigidity.
- Heat resistant Teflon coated wire lead.
- Low profile gimbal ring with minimum profile.
- Adjustable yoke for custom aiming.
- High-strength stainless steel electrical contacts.
- Available in 4 fixture pack..

### CONSTRUCTION

#### Track Extrusion

.030 die cast aluminum construction with 0.045 PVC insulators holding 12-gauge flat conductor wiring. Polarity groove is located on face of track to indicate location of grounding conductor.

#### Track Head Housing, Socket Cup

0.025 Deep drawn steel construction with softened edges.

#### Gimbal Ring

0.030 Baked enamel finished steel ring. High-tension stainless steel spring secures PAR light source.

#### Yoke

0.085 Rigid steel "wishbone" yoke connects fixture housing to electrical contact head. Dual plastic angle tightening knobs maintain clean, decorative appearance of the fixture and provide secure angle position.

#### Socket

Porcelain jacketed aluminum screw thread medium base socket.

#### Wiring

Teflon coated wire lead connects socket and housing to electrical contact head. Teflon coating is durable and resists heat degradation from lamp and housing radiation.

#### Contact Head Assembly

Three 0.030 stainless steel contacts mounted in high heat rated plastic housing.

#### Electrical

2400 Watts, 120V input, 60Hz.

#### Dimming

Nora track may be dimmed with any approved incandescent dimmer.

#### Lamp

- 75W Par30 lamp (not included).

#### Finishes

Black or White heat rated baked enamel paint.

Create a complete catalog number: Example: NTL-158B/4H

Track Pack - select one box from each column

Catalog No.	Fixtures	Lamp	Wattage	Finish
NTL-158	3	Par30	75	B
	4			W

Finishes: B = Black, W = White

# NORALIGHTING®

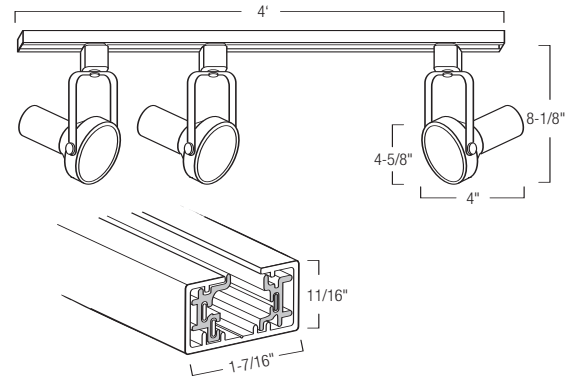
Type \_\_\_\_\_

Project \_\_\_\_\_

Catalog No. \_\_\_\_\_

Lamp/Wattage \_\_\_\_\_

### DIMENSIONS



**TRACK:**  
 Height: 1-7/16"  
 Length: 4'  
 Width: 1-7/16"

**TRACK HEAD:**  
 Diameter: 4-5/8"  
 Length: 4"  
 Max. Extension: 8-1/8"

### Compatibility

Nora track fixtures are interchangeable with Halo, Catalina, Hampton Bay, Halo-Edison, or any other brands configured to Halo 3 conductor track design.

*Note: Fixtures may not be compatible with non-Nora transformers or monopoint adapters.*

### Labels and Listings

UL Listed as track lighting fitting.  
UL Listed for indoor, dry location.



# NORALIGHTING®

6505 Gayhart St., Commerce, CA 90040 Phone: 800.686.6672 • FAX 800.500.9955  
www.noralighting.com • e-mail: nora@noralighting.com Specifications subject to change without notice. © 2008