

# NTH-104

BR30/PAR30 Step Cylinder with Black Baffle

Lamp: 75W BR30/PAR30 max.

Type

Project

Catalog No.

Notes

## PRODUCT DESCRIPTION

Line voltage stepped "continental" style housing includes a structural arm to provide full adjustment of light source for special aiming and completely conceals wire lead from socket to contact head. Internal mechanism allows for adjustment and resists angle degradation.

## FEATURES

- Die cast aluminum provides superior strength and rigidity.
- Black baffle eliminates glare and adds finished touch.
- One or two circuit track capable.
- Accepts LED lamps

## CONSTRUCTION

**Housing:** Deep drawn steel construction with simple, yet decorative design. All edges are softened for aesthetic appearance

**Baffle:** Black finished phenolic high heat rated plastic baffle, provides finished appearance and assists in eliminating glare from housing interior.

**Structural Arm:** Extruded aluminum arm connects fixture housing to electrical contact head. Internal tightening mechanism maintains desired lamp aiming angles. Structural arm also functions as wire way, completely concealing lead wire from socket to contact head.

## ELECTRICAL

**Voltage:** 120V input

**Socket:** Medium base

**Lamp:** 75W BR/PAR30 max. (not included)

## FINISH

Available in black, bronze and white finishes.

## ONE/TWO CIRCUIT CONVERSION

Positive contact (opposite neutral and ground contacts) is preset to "down" position at factory but may be raised to the higher position to install onto the second circuit of Nora Lighting NT- 2300 series two-circuit track.

## OPTIONAL ACCESSORIES

**NT-339:** BR30/PAR30 Black Barn Door

**NT-342:** BR30/PAR30 Black Louver (requires NT-339 or NT-345)

**NT-345:** BR30/PAR30 Black Accessory Holder

## LABELS AND LISTINGS

UL Listed



## PRODUCT IMAGES AND DIMENSIONS



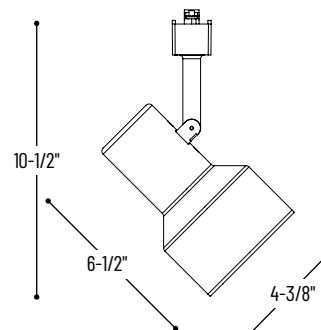
**NTH-104B/A**  
Black Step Cylinder  
with Black Baffle



**NTH-104BZ**  
Bronze Step Cylinder  
with Black Baffle



**NTH-104W**  
White Step Cylinder  
with Black Baffle



## BR30/PAR30 Step Cylinder with Black Baffle

Catalog No.	Finish	Style
<b>NTH-104</b>	<b>B/A</b> = Black	(blank) = H-style
	<b>BZ</b> = Bronze	<b>/J</b> = J-style
	<b>W</b> = White	<b>/L</b> = L-style

## Optional Accessories

Description
<b>NT-339</b> = BR30/PAR30 Black Barn Door
<b>NT-342</b> = BR30/PAR30 Black Louver (requires NT-339 or NT-345)
<b>NT-345</b> = BR30/PAR30 Black Accessory Holder

Example: **NTH-104B** = BR30/PAR30 Step Cylinder with Black Baffle, Black, H-Style