

NTH-102

BR/PAR30 Flatback Cylinder with Black Baffle

Lamp: 75W BR/PAR30 max.

Type _____

Project _____

Catalog No. _____

Notes _____

PRODUCT DESCRIPTION

Line voltage flatback cylinder with black baffle. Fixture includes a structural arm that provides full adjustment of light source for special aiming and completely conceals wire lead from socket to contact head. Internal mechanism allows for adjustment and resists angle degradation.

FEATURES

- Die cast aluminum provides superior strength and rigidity.
- Black baffle eliminates glare and adds finished touch.
- One or two circuit track capable.
- Accepts LED lamps

CONSTRUCTION

Housing: 0.030" Deep drawn steel construction with simple, yet decorative design. All edges are softened for aesthetic appearance

Baffle: 0.085" Black finished phenolic high heat rated plastic baffle, provides finished appearance and assists in eliminating glare from housing interior

Yoke: 0.085" Rigid steel "wishbone" yoke connects fixture housing to electrical contact head.

ELECTRICAL

Voltage: 120V input

Socket: Medium base

Lamp: 75W BR/PAR30 max. (not included)

FINISH

Available in black and white finishes.

ONE/TWO CIRCUIT CONVERSION

Positive contact (opposite neutral and ground contacts) is preset to "down" position at factory but may be raised to the higher position to install onto the second circuit of Nora Lighting NT- 2300 series two-circuit track.

OPTIONAL ACCESSORIES

NT-339: BR30/PAR30 Black Barn Door

NT-342: BR30/PAR30 Black Louver (requires NT-339 or NT-345)

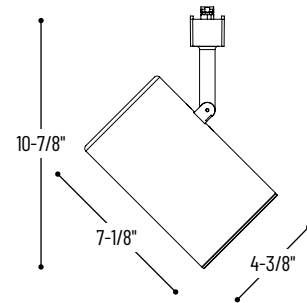
NT-345: BR30/PAR30 Black Accessory Holder

LABELS AND LISTINGS

UL Listed



PRODUCT IMAGES AND DIMENSIONS



BR/PAR30 Flatback Cylinder with Black Baffle

Catalog No.	Finish	Style
NTH-102	B/A = Black	(blank) = H-style
	W/A = White	/J = J-Style
		/L = L-Style

Optional Accessories

Description
NT-339 = BR30/PAR30 Black Barn Door
NT-342 = BR30/PAR30 Black Louver (requires NT-339 or NT-345)
NT-345 = BR30/PAR30 Black Accessory Holder

Example: **NTH-102B** = BR/PAR30 Flatback Cylinder with Black Baffle, Black, H-Style