

NTE-LIN

Tunable T-Line Linear Track Series

Source: 20W or 40W LED
1600lm or 3200lm

Type

Project

Catalog No.

Notes

PRODUCT DESCRIPTION

Tunable T-Line linear series allows the end user to select between 3000K, 3500K or 4000K at the time of installation with a 3 position switch. Luminaire runs parallel to the track for a uniform appearance and bright illumination up to 3200 lumens. Tunable T-Line includes a diffused lens for glare control and even illumination. Optional asymmetric and double asymmetric lenses make the T-Line an excellent solution for wall washing, sign and aisle lighting. Add the optional visor to conceal the light source when using the asymmetrical lens. An exceptional product for retail, commercial and hospitality applications.

FEATURES

- Selectable 3000K, 3500K or 4000K
- Available in 2' or 4' lengths
- 1600lm or 3200lm
- Excellent color rendition @ 90+ CRI
- Black, silver or white finish
- Integral dimmable driver
- Die-cast aluminum construction
- Symmetrical frosted lens included, asymmetrical lenses available

SPECIFICATION

Construction: Die-cast aluminum construction dissipates heat for longer life. Luminaire includes a symmetrical frosted lens, asymmetrical lens is available.

ELECTRICAL

Input Voltage: 120V

Lumens / Wattage: 1600lm / 20W or 3200lm / 40W

Color Temperature: 3000K, 3500K or 4000K (each luminaire includes a CCT switch)

CRI: 90+

Dimming: Triac or ELV

Check complete dimmer list at www.NoraLighting.com in the "Compatibility" page under "Resources" tab

One/Two Circuit Conversion: Positive contact (opposite neutral and ground contacts) is preset to "down" position at factory but may be raised to the higher position to install onto the second circuit of Nora Lighting NT-2300 series two-circuit track.

Finishes: Black, white and silver finishes are available; contact warehouse for custom finishes.

ACCESSORIES

NTE-LINxSASYLENS: Asymmetric lens used to change the light distribution towards a single wall wash

NTE-LINxDASYLENS: Double asymmetric lens used to change the light distribution towards two opposite walls

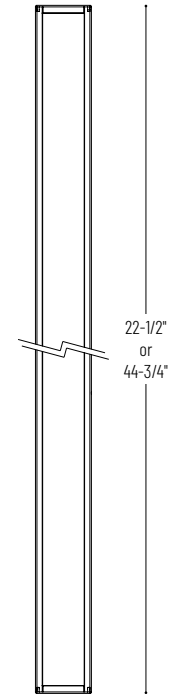
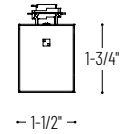
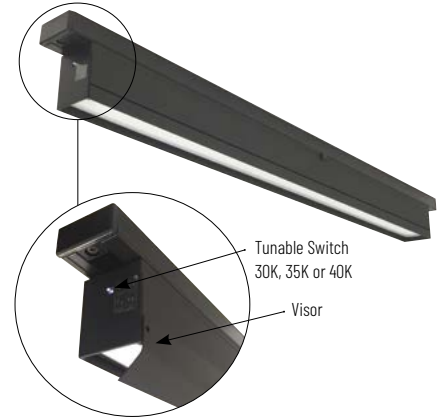
NTE-LINxVIS: Visor accessory to cover luminaire and direct light towards a wall

LISTING

- cULus Listed for dry locations
- ENERGY STAR certified
- 5-Year Limited Warranty



PRODUCT IMAGES & DIMENSIONS



Tunable T-Line Linear LED Track Head

Series	Length / Lumens / Wattage	Finish
NTE-LIN	2TW = 2' / 1600lm / 20W	B = Black
	4TW = 4' / 3200lm / 40W	S = Silver
		W = White

Optional Accessories

Length	Description
NTE-LIN2 = 2'	SASYLENS = Single Asymmetric Lens
NTE-LIN4 = 4'	DASYLENS = Double Asymmetric Lens
	VISB = Visor, Black
	VISS = Visor, Silver
	VISW = Visor, White

Example: NTE-LIN2TWB = 2' Tunable T-Line Linear Track, Black finish

PHOTOMETRICS

Tunable T-Line Linear Track Series

Type _____

Project _____

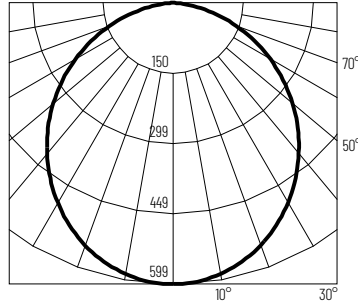
Catalog No. _____

Notes _____

Test Information

Test Number: NTL-1004
 Part Number: NTE-LIN2TW
 Distribution: Symmetrical
 Lumens: 1543lm
 Wattage: 20.4W
 Efficacy: 76lpw
 CCT / CRI: 3000K / 90 CRI
 Spacing Criteria (0°-180°): 1.22
 Spacing Criteria (90°-270°): 1.24

Polar Curve



Zonal Lumen Summary

Zone	Lumens	% Luminaire
0-30	458	29.7
0-40	743	48.2
0-60	1280	83
0-90	1535	99.5
90-180	8	0.5
0-180	1543	100

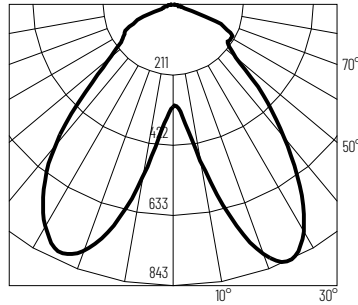
Candela Table

Vertical Angles	Candela
0	599
5	595
15	570
25	523
35	452
45	365

Test Information

Test Number: NTL-1004
 Part Number: NTE-LIN2TW
 Distribution: Double Asymmetrical
 Lumens: 1677lm
 Wattage: 20.3W
 Efficacy: 83lpw
 CCT / CRI: 3000K / 90 CRI
 Spacing Criteria (0°-180°): 1.94
 Spacing Criteria (90°-270°): 1.14

Polar Curve



Zonal Lumen Summary

Zone	Lumens	% Luminaire
0-30	451	28.9
0-40	809	46.5
0-60	1409	80
0-90	1670	100
90-180	8	0
0-180	1677	100

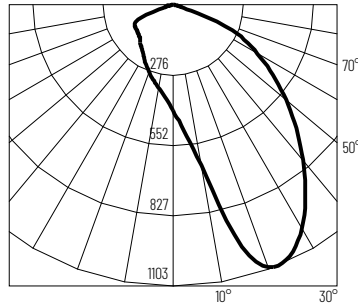
Candela Table

Vertical Angles	Candela
0	307
5	339
15	656
25	843
35	664
45	386

Test Information

Test Number: NTL-1004
 Part Number: NTE-LIN2TW
 Distribution: Single Asymmetrical
 Lumens: 1632lm
 Wattage: 20.4W
 Efficacy: 80lpw
 CCT / CRI: 3000K / 90 CRI
 Spacing Criteria (0°-180°): 2.12
 Spacing Criteria (90°-270°): 1.18

Polar Curve



Zonal Lumen Summary

Zone	Lumens	% Luminaire
0-30	434	26.6
0-40	742	45.5
0-60	1329	81.4
0-90	1625	99.6
90-180	7	0.4
0-180	1632	100

Candela Table

Vertical Angles	Candela
0	414
5	499
15	998
25	1075
35	889
45	666

Lumen Output Multipliers

Color Temperature: 3000K (1.00), 3500K (1.1), 4000K (1.06)