

Type
Project
Catalog No.
Lamp/Wattage

NMT-303/24C2D1 / NMT-303/24C2D2
24 Volt, 300 Watt (3 x 100W Breakers)
Class II Dimmable Hardwire Magnetic Driver

PRODUCT DESCRIPTION

24 Volt enclosed driver to be used with Nora Lighting's 24 Volt systems requiring a Class II driver. Three breakers each produce 100 watts each and can be dimmed with low voltage magnetic dimmer. Includes a regulator to provide constant current and constant voltage.

FEATURES

- Fully dimmable, with low voltage magnetic dimmer
- Integral regulator for constant current and voltage
- Manual Reset Overload Protection for each Class II Circuit
- Indoor/Outdoor Enclosure Type 3R Enclosure
- Conduit Access Wiring Compartment
- Made in USA
- Meets Class II output limits
- 24 Volt DC Rated output
- Includes (3) NALTL-10, 24V 10' Power Line Connector
- UL Recognized
- Available in 120V or 277V

ELECTRICAL

Input: 120VAC or 277VAC, 50/60Hz

Output: 24VDC, 4A Per Circuit (Max.)

Wattage: 3 x 100VA Class II Circuits (300W)

OPTIONAL ACCESSORIES

NALTL-10: 24V 10' Power Line Connector (three are included with each driver)

NALTL-30: 24V 30' Power Line Connector

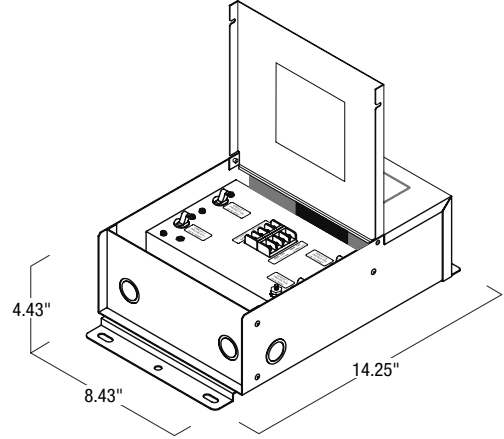
Labels and Listings

Three Year Limited Warranty

UL Recognized



DIMENSIONS



Width: 8.43"
 Length: 14.25"
 Height: 4.43"

24V 300W Class II Dimmable Hardwire Magnetic Driver

NMT-303/24C2D1: 120V/24V 300W (3 x 100W Breakers) Class II Dimmbale Hardwire Magnetic Driver

NMT-303/24C2D2: 277V/24V 300W (3 x 100W Breakers) Class II Dimmbale Hardwire Magnetic Driver

Optional Accessories

NALTL-10: 24V 10' Power Line Connector (three are included with each driver)

NALTL-30: 24V 30' Power Line Connector