

NIO-2RTLA

2" Iolite Round Trimless Adjustable with 10° Optic

Source: 12W
800lm

Type

Project

Catalog No.

Notes

PRODUCT DESCRIPTION

2" Trimless Iolite downlights have no exposed trim flange and do not extend beyond the ceiling plane. Iolite Trimless requires a Trimless Mud Ring and New Construction housing. Regressed cone reflector optimizes visual cut-off and adjust up to 15°.

FEATURES

- Trimless knife edge appearance
- Delivering up to 8389 center beam candlepower (CBCP)
- 2700K, 3000K, 3500K, 4000K @ 90+ CRI
- 10° TIR optic delivers luminous intensity of higher lumen downlights
- 5-Year limited warranty

SPECIFICATION

Construction: Trims are constructed of heat dissipating, die-cast aluminum. The aluminum die-cast LED heat sink is threaded to fit trimless downlight and transfer heat.

Mounting: Luminaire includes friction blades to mount securely to trimless mud ring. A trimless mud ring is required per trimless downlight.

OPTIC

Each luminaire includes 10° TIR optic (Note: cannot be changed in the field)
Luminaire is also available with field changeable optics, [Click Here](#) for more information.

ELECTRICAL

Lumens / Wattage: 800lm / 12W
Color Temperature: 2700K, 3000K, 3500K, 4000K
Color Rendering Index: 90+ CRI
Operating Temperature: Specified by housing
Lifetime: 50,000 hours @ L70
Dimming: Specified by housing

COMPATIBLE HOUSINGS

Luminaires are compatible with respective Iolite housings manufactured by Nora Lighting.

CATALOG NO.	DESCRIPTION
NHIOICD-28LE4	ICAT New Construction, 120-277V; Triac / ELV / 0-10V
NHIOICD-28LUPEQ	ICAT New Construction, 120/277V; Lutron EcoSystem
NHIOICDCP-28LE4	Chicago Plenum, 120-277V; Triac / ELV / 0-10V
NHIOICDCP-28LUPEQ	Chicago Plenum, 120/277V; Lutron EcoSystem

Accessories: Luminaires can accommodate (1) hex louver and (1) translucent deco collar or opaque snoot, no accessory holder is required, see accessories page. A trimless mud ring is required per luminaire.

LABELS AND LISTINGS

- cULus Listed for Damp Locations
- ENERGY STAR certified
- [5-Year Limited Warranty](#)
- RoHS Compliant
- Certified to the high efficacy requirements of California Title 24 JA8-2019

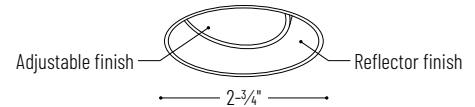


Performance Data

Part Number	Lumens	CCT	CBCP
NIO-2RTLA40QWW	833lm	4000K	8389 cd

Delivered lumens will vary depending on CCT and finish

PRODUCT IMAGES AND DIMENSIONS



NIO-2RTLA
Round Trimless Adjustable
15° Adjustable



BB
Black Adjustable
Black Reflector



BW
Black Adjustable
White Reflector



BZ
Bronze Adjustable
Bronze Reflector



CH
Champagne Haze Adjustable
Champagne Haze Reflector



CHMPW
Champagne Haze Adjustable
Matte Powder White Reflector



HW
Haze Adjustable
White Reflector



HZ
Haze Adjustable
Haze Reflector



HZMPW
Haze Adjustable
Matte Powder White Reflector



MPW
Matte Powder White Adjustable
Matte Powder White Reflector



WW
White Adjustable
White Reflector

2" Iolite Round Trimless Adjustable with 10° Optic - New Construction Housing & Trimless Mud Ring Required

Type	Color Temperature	Finish
NIO-2RTLA = Round Trimless Adjustable	270 = 2700K	BB = Black
	300 = 3000K	BW = Black / White
	350 = 3500K	BZ = Bronze
	400 = 4000K	CH = Champagne Haze
		CHMPW = Champagne Haze / Matte Powder White
		HW = Haze / White
		HZ = Haze
		HZMPW = Haze / Matte Powder White
		MPW = Matte Powder White
		WW = White

Compatible Housings

Housing Type
NHIOICD-28LE4 = ICAT New Construction; Triac / ELV / 0-10V
NHIOICD-28LUPEQ = ICAT New Construction; Lutron EcoSystem
NHIOICDCP-28LE4 = Chicago Plenum; Triac / ELV / 0-10V
NHIOICDCP-28LUPEQ = Chicago Plenum; Lutron EcoSystem

2" Iolite Trimless Mud Ring

Description
NIO-TLMR-2RA = 2" Round Trimless Mud Ring

Example: **NIO-2RTLA300WW / NIO-TLMR-2RA** = 2" Iolite Round Trimless Adjustable with 10° Optic, 3000K, White finish, / 2" Round Trimless Mud Ring

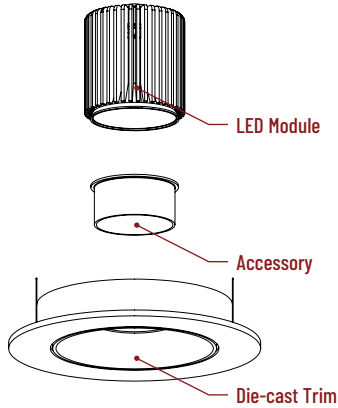
2" Iolite Accessories

2" Iolite Round Trimless Adjustable

Type
Project
Catalog No.
Notes

ACCESSORIES

Iolite accessories can be added at any point in the design process. Accessories easily install between LED module and die-cast trim. Luminaire will accommodate (1) hex louver and (1) collar accessory, no accessory holder required.



Translucent Decorative Collar

NIO-AS14(color) 5/8" length
NIO-AS19(color) 3/4" length
NIO-AS26(color) 1" length
Color:
AM (amber), **BLU** (blue), **FR** (frosted), **R** (red)

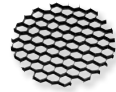
Translucent collars color the aperture with the specified color while producing white general light. Collars are available in different lengths. Use to add interest, create a theme, match a theme or define a space.



Opaque Collar Snoot

NIO-AS14(color) 5/8" length
NIO-AS19(color) 3/4" length
NIO-AS26(color) 1" length
Color:
BLK (black), **MPW** (matte powder white), **WH** (white)

Opaque snoot greatly reduces aperture brightness while preserving light output. (Note: Black snoot will reduce light)

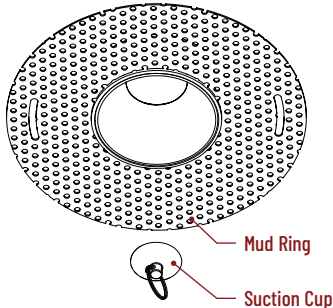


Hex Cell Louver

NIO-HC Black
 Hex cell louver subtly reduces aperture brightness by reducing light output by about 20%.

TRIMLESS

2" Iolite trimless downlights have no exposed trim flange and the result is a minimalist knife edge appearance. A trimless mount mud ring is installed after the drywall and a professional drywall finisher floats the ceiling to blend in the mud ring.



Trimless Mount Mud Ring

NIO-TLMR-2RA

Mounts trimless downlight with no exposed flange and no extension beyond ceiling plane. Mud ring attaches to drywall. **Only for use with NH10ICD-28 or NH10ICDCP-28 new construction housings and NIO-2RTLND or NIO-2RTLA.**
 Dimensions: 7-7/8" diameter 1/2" thick



Suction Cup for Removal

NIO-TLSUCTION

Assist removing trimless reflector from finished ceiling after installation. For maintenance on trimless reflector.

PHOTOMETRICS

2" Iolite Round Trimless Adjustable with 10° Optic

Type _____

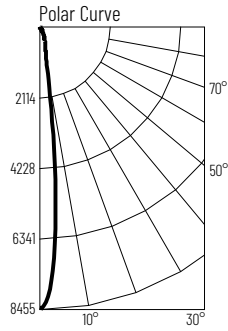
Project _____

Catalog No. _____

Notes _____

Test Information

Test Number: NTR1901R1
 Part Number: NIO-2RTLA40QWW
 Beam Spread: 12° Spot
 Lumens: 833lm
 Wattage: 12.42W
 Efficacy: 67lpw
 CCT / CRI: 4000K / 90 CRI
 Spacing Criteria (0°-180°): 0.22
 Spacing Criteria (90°-270°): 0.22



Illuminance at a Distance

Distance from Luminaire	FC at Nadir	Beam Diameter
16'	32.8fc	3'-5"
18'	25.9fc	3'-11"
20'	21fc	4'-4"
22'	17.3fc	4'-8"
24'	14.6fc	5'-2"

Zonal Lumen Summary

Zone	Lumens	% Luminaire
0-30	706	84.7
0-40	782	93.9
0-60	821	98.6
0-90	833	100
90-180	0	0
0-180	833	100

Candela Table

Vertical Angles	Candela
0	8389
5	5548
15	657
25	304
35	107
45	26

Lumen Output Multipliers

Color Temperature: 2700K (0.9), 3000K (0.96), 3500K (0.96), 4000K (1.00)