

NF-R375

New Construction Frame-In for NM4-RDC

Type _____

Project _____

Catalog No. _____

Notes _____

PRODUCT DESCRIPTION

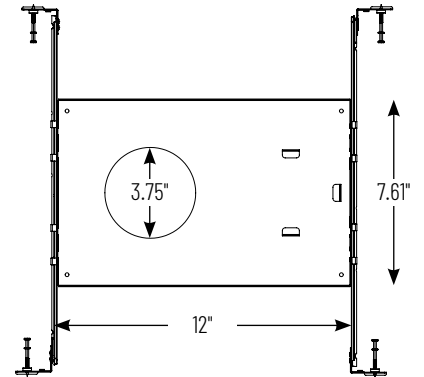
New construction frame-in can be used to assist installing M4 LED Downlight (NM4-RDC).

Mounting: Bar hangers are adjustable from 13-3/4" to 26" with integral nails. Bar hangers are slotted for T-bar ceiling grids.

COMPATIBLE LUMINAIRE

[NM4-RDC](#): 4" M4 LED Downlight

PRODUCT IMAGES AND DIMENSIONS



New Construction Frame-In for NM4-RDC

Compatible Luminaire

Accessory Type

NF-R375 = New Construction Frame-In for NM4-RDC

Description

NM4-RDC = 4" M4 LED Downlight

Example: **NF-R375** = New Construction Frame-In for NM4-RDC