

NC2-639

6" Adjustable Sapphire II High Lumen Reflector

Source: 16W to 46W LED
900lm to 3500lm

Type	
Project	
Catalog No.	
Notes	

PRODUCT DESCRIPTION

Adjustable Sapphire II COB Series is a commercial grade LED high lumen downlight. The Sapphire II uses the latest COB technology by Cree[®], which allows for better optic control offering three beam spreads. Beam spreads focus the light down to the work plane from high ceiling applications. The reflectors have been designed for the high efficiency (LPW) while providing low aperture brightness. The Sapphire II COB Series is proudly assembled in the USA.

FEATURES

- Adjustable mechanism tilts up to 35° vertically and 359° horizontal rotation
- Locking vertical aiming
- Adjustable from below the ceiling
- Cree[®] COB technology
- Shatter resistant lens
- Specifiable beam spreads
- 900lm, 1500lm, 2500lm or 3500lm LED packages
- 2700K, 3000K, 3500K and 4000K @ 90+ CRI
- 5-year limited warranty
- ENERGY STAR certified

ELECTRICAL

Lumens / Wattage: L09 = 900lm / 16W; L15 = 1500lm / 24W; L25 = 2500lm / 30W; L35 = 3500lm / 46W

Color Temperature: 2700K, 3000K, 3500K, 4000K

CRI: 90+CRI

Beam Spread: (S) 37° Spot; (M) 52° Narrow Flood; (F) 63° Flood

Lifetime: 50,000 hours @ L70

COMPATIBLE HOUSING

Reflector is only compatible with respective housings manufactured by Nora Lighting.

CATALOG NO. DESCRIPTION

NCAH2-639 6" New Construction Housing for Sapphire Adjustable

SPECIFICATION

Reflector: Bias cut reflector spun from 0.050 high grade aluminum allows LED light engine to illuminate along axis.

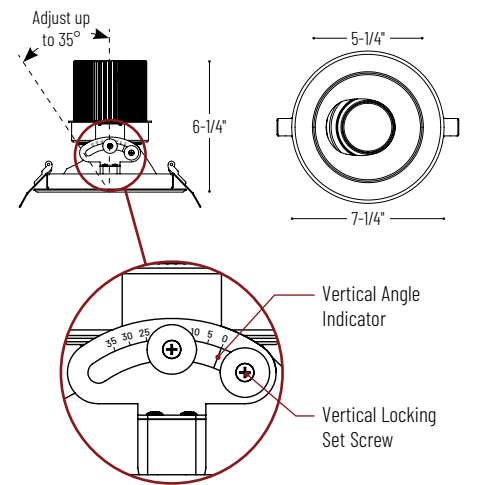
Reflector Assembly: The reflector assembly includes the LED optical package and heat sink mounted on top. Reflector assembly easily wires to dedicated housing with lockable quick connect. Reflector assembly has graduation marks and locking screw.

LABELS AND LISTINGS

- cULus Listed for Damp Locations
- ENERGY STAR certified
- [5-Year Limited Warranty](#)
- FCC compliant



PRODUCT IMAGE & DIMENSIONS



BSF Black Reflector / Self Flanged **HSF** Haze Reflector / Self Flanged



WSF White Reflector / Self Flanged

6" Adjustable Sapphire II Reflector - Dedicated Housing Required

Reflector Type	Lumens / Wattage	Color Temperature / CRI	Beam Spread	Reflector / Flange Finish
NC2-639 = Adjustable Reflector	L09 = 900lm / 16W	27 = 2700K / 90 CRI	S = 37° Spot	BSF = Black Reflector / Self Flanged
	L15 = 1500lm / 24W	30 = 3000K / 90 CRI	M = 52° Narrow Flood	HSF = Haze Reflector / Self Flanged
	L25 = 2500lm / 30W ¹	35 = 3500K / 90 CRI	F = 63° Flood	HWSF = Haze Reflector / White Flange
	L35 = 3500lm / 46W ¹	40 = 4000K / 90 CRI		WSF = White Reflector / Self Flanged

¹ Not available in 2700K

Example: **NC2-639L350SWSF** = 6" Adjustable Sapphire II Reflector, 3500lm / 46W LED, 3000K, 37° Spot Beam Spread, White Reflector / Self Flanged

NCAH2-639

6" Adjustable Sapphire II Non-IC New Construction Housing

Source: 16W to 46W LED
900lm to 3500lm

Type _____

Project _____

Catalog No. _____

Notes _____

PRODUCT DESCRIPTION

Adjustable Sapphire II COB Series is a commercial grade LED high lumen downlight. The Sapphire II uses the latest COB technology by Cree®, which allows for better optic control offering three beam spreads. Beam spreads focus the light down to the work plane from high ceiling applications. The Sapphire II series is available in 4", 6" or 8" apertures.

CONSTRUCTION

Plaster Frame: 0.040" galvanized steel frame with integral bar hanger brackets. Brackets can accommodate longer 27" accessory flat bar hangers. Brackets run along all sides of frame to allow bar hangers to be run parallel or perpendicular to junction box.

Housing: 0.040" aluminum housing adjusts for ceiling thicknesses from 1/2" to 1-1/4".

Minimum Clearances: Non-Insulated housings require a minimum clearance of 3" from thermal insulation and 1/2" from adjacent building components. Housings require 24" between adjacent recessed luminaires on center.

Junction Box: Plaster frame integrated 29 cubic inch 0.064" thick galvanized steel, with seven 1/2" knockouts, four pryouts, and snap on cover. Electrical connections are made through a single junction box door. Green wire provided for installations with ground wire fed through PVC pipe conduit. Junction box connects to reflector assembly with lockable quick connect.

ELECTRICAL

Input Voltage: 120-277V

Lumens / Wattage: L09 = 900lm / 16W; L15 = 1500lm / 24W; L25 = 2500lm / 30W; L35 = 3500lm / 46W

Operating Temp.: 0°C to 45°C ambient temperature

Dimming: Triac, ELV or 0-10V, must specify

[Click Here](#) or check complete dimmer list at www.NoraLighting.com in the "Compatibility" page under "Resources" tab

COMPATIBLE REFLECTOR

CATALOG NO.	DESCRIPTION
NC2-639	6" Adjustable Reflector

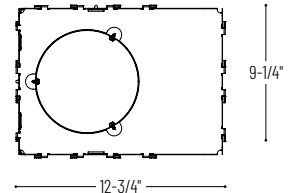
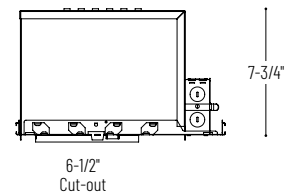
Emergency: Housing can be connected to remote emergency battery, requires top access. Must specify battery with remote test switch separately (NEPK-07LEDUNV).

LABELS AND LISTINGS

- cULus Listed for Damp Locations
- [5-Year Limited Warranty](#)



PRODUCT IMAGES AND DIMENSIONS



6" Sapphire II New Construction Housing - Compatible with Sapphire II Adjustable Reflector

Housing Type	Lumens / Wattage	Driver
NCAH2-639/ - New Construction	09 = 900lm / 16W	LE6 = 120-277V Input; 0-10V dimming
	15 = 1500lm / 24W	LE3 = 120V Input; Triac, ELV and 0-10V dimming
	25 = 2500lm / 30W	
	35 = 3500lm / 46W	

Optional Emergency

Description
NEPK-07LEDUNV = Remote Emergency Battery w/Test Switch

Example: NCAH2-639/35LE6 = 6" Sapphire II New Construction Housing, 3500lm / 46W, 120-277V Input; 0-10V dimming

PHOTOMETRICS

6" Adjustable Sapphire II Series

Type

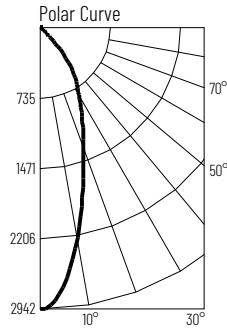
Project

Catalog No.

Notes

Test Information

Test Number: NTR11408
 Part Number: NC2-639L1530SHWSF
 Beam Spread: 36° Spot
 Lumens: 1820lm
 Wattage: 22.7W
 Efficacy: 80lpw
 CCT / CRI: 3000K / 90 CRI
 Spacing Criteria (0°-180°): 0.58
 Spacing Criteria (90°-270°): 0.58



Illuminance at a Distance

Distance from Luminaire	FC at Nadir	Beam Diameter
4'	184fc	2'-7"
6'	81.7fc	3'-11"
8'	46fc	5'-2"
10'	29.4fc	6'-6"
12'	20.4fc	7'-10"

Zonal Lumen Summary

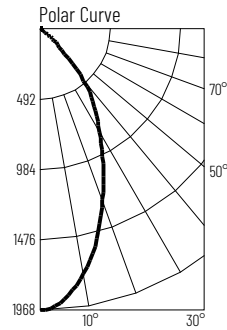
Zone	Lumens	% Luminaire
0-30	1197	65.8
0-40	1583	87
0-60	1785	98.1
0-90	1803	99.1
90-180	17	0.9
0-180	1820	100

Candela Table

Vertical Angles	Candela
0	2942
5	2724
15	1723
25	1025
35	634
45	184

Test Information

Test Number: NTR11417
 Part Number: NC2-639L1530MHWSF
 Beam Spread: 52° Narrow Flood
 Lumens: 1807lm
 Wattage: 22.6W
 Efficacy: 80lpw
 CCT / CRI: 3000K / 90 CRI
 Spacing Criteria (0°-180°): 0.78
 Spacing Criteria (90°-270°): 0.78



Illuminance at a Distance

Distance from Luminaire	FC at Nadir	Beam Diameter
4'	123fc	3'-11"
6'	54.7fc	5'-11"
8'	30.7fc	7'-11"
10'	19.7fc	9'-10"
12'	13.7fc	11'-10"

Zonal Lumen Summary

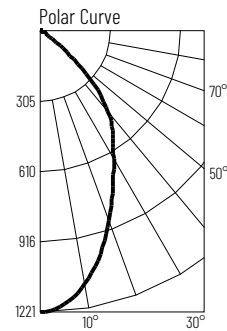
Zone	Lumens	% Luminaire
0-30	1073	59.4
0-40	1481	81.9
0-60	1743	96.5
0-90	1783	98.7
90-180	24	1.3
0-180	1807	100

Candela Table

Vertical Angles	Candela
0	1968
5	1900
15	1522
25	1033
35	659
45	242

Test Information

Test Number: NTR11416
 Part Number: NC2-639L1530FHWSF
 Beam Spread: 63° Flood
 Lumens: 1484lm
 Wattage: 22.6W
 Efficacy: 66lpw
 CCT / CRI: 3000K / 90 CRI
 Spacing Criteria (0°-180°): 0.88
 Spacing Criteria (90°-270°): 0.88



Illuminance at a Distance

Distance from Luminaire	FC at Nadir	Beam Diameter
4'	76.3fc	4'-11"
6'	33.9fc	7'-4"
8'	19.1fc	9'-8"
10'	12.2fc	12'-2"
12'	8.5fc	14'-7"

Zonal Lumen Summary

Zone	Lumens	% Luminaire
0-30	734	49.4
0-40	1075	72.4
0-60	1408	94.9
0-90	1462	98.5
90-180	22	1.5
0-180	1484	100

Candela Table

Vertical Angles	Candela
0	1221
5	1192
15	1002
25	746
35	547
45	328