

Installation Instructions

NRLM

LED RLM Shade

READ PRIOR TO ATTEMPTING INSTALLATION
ALWAYS TURN OFF MAIN POWER BEFORE INSTALLATION
INSTALLATION SHOULD BE CARRIED OUT BY YOUR LOCAL ELECTRICIAN

- ⚠ WARNING** - Risk of fire or electric shock. LED installation kit requires knowledge of luminaires electrical systems. If not qualified, do not attempt installation. Contact a qualified electrician.
- ⚠ WARNING** - Risk of fire or electric shock. Install this kit only in luminaires that have the construction features and dimensions shown in the photographs and / or drawings and where the input rating does not exceed the input rating of the luminaire.
- ⚠ WARNING** - To prevent wiring damage or abrasion, do not expose wiring to edges of sheet metal or other sharp objects.
- ⚠ WARNING** - This equipment is intended to be installed only by qualified personnel. The installation must be made in accordance with the current edition to the National Electric Code and all applicable state and local building codes. The final installation must be approved by the appropriate qualified electrical/building inspector(s). Improper installation may result in a fire or electrical hazard. Be sure the electrical power to the circuit has been disconnected before installing this electrical system.
- ⚠ AVERTISSEMENT** - Cet équipement est destiné à être installé uniquement par du personnel qualifié. L'installation doit être faite en conformité avec l'édition actuelle du Code national de l'électricité et toutes étatiques et locales codes du bâtiment applicables. L'installation finale doit être approuvée par l'inspecteur en électricité / bâtiment qualifié approprié(s). Une mauvaise installation peut entraîner un incendie ou un risque électrique. Soyez sûr de la puissance électrique vers le circuit a été coupée avant l'installation de ce système électrique.

INSTALLATION INSTRUCTIONS:

1. Ensure electrical power is off.
2. Loosen the strain relief on the shade and pull down the module to remove the packaging.
3. Completely remove the packaging on the module inside of the shade.
4. Put the module inside of the reflector and tighten the strain relief back on the shade with 6.2Nm of torque for 16" and 4.3Nm of torque for 10".
5. Ensure the length of the support wire is acceptable.
6. Disassemble the bracket from canopy and secure bracket to the junction box with two 8-32 machine screws. (min 12mm long)
7. To adjust the wire length, loosen the strain relief on the canopy (Figure 1) Adjust the wire and tighten the strain relief back with 6.2Nm of torque for 16" and 4.3Nm of torque for 10". Cut wires to provide minimum 6" pigtail above canopy.
8. Connect the ground wire on the canopy and ground wire in the junction box to the grounding screw on the mounting bracket.
9. Connect the wires on the canopy to the wires on the junction box. (Figure 2)
 - a. Black to black, white to white and ground to the junction box. For 0-10V dimming, connect purple wire to brown or orange wire and grey wire to blue wire.
10. Push the canopy up to completely cover the junction box and secure in place by tightening the strain relief to the bracket at min. 19 lb-ft
11. Check the connections and turn the power on.

Figure 1

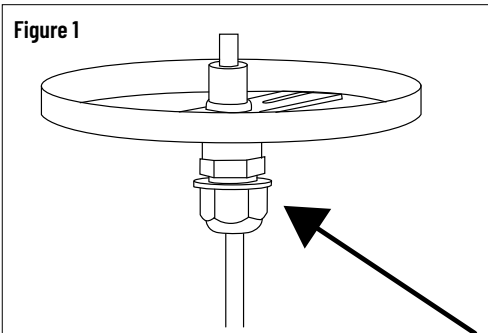


Figure 2

