

# Installation Instructions

NOX-4

Onyx LED Retrofit

READ PRIOR TO ATTEMPTING INSTALLATION  
ALWAYS TURN OFF MAIN POWER BEFORE INSTALLATION  
INSTALLATION SHOULD BE CARRIED OUT BY YOUR LOCAL ELECTRICIAN

**⚠ WARNING** - Risk of fire or electric shock. Installation of this retrofit assembly requires a person familiar with the construction and operation of the luminaire's electrical system and the hazard involved. If not qualified, do not attempt installation. Contact qualified electrician.

**⚠ AVERTISSEMENT** - Risque d'incendie ou d'électrocution. Ne modifiez pas, ne déplacez pas et n'ôtez pas le câblage, les porte-lampe, le bloc d'alimentation ou tout autre composant électrique.

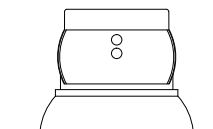
**⚠ WARNING** - To prevent wiring damage or abrasion, do not expose wiring to edges of sheet metal or other sharp objects.

**⚠ AVERTISSEMENT** - Afin d'éviter tout endommagement ou abrasion du câblage, ne mettez pas en contact le câblage avec les arêtes de la tôle ou d'autres objets tranchants.

**THIS RETROFIT KIT IS ACCEPTED AS A COMPONENT OF A LUMINAIRE WHERE THE SUITABILITY OF THE COMBINATION SHALL BE DETERMINED BY AUTHORITIES HAVING JURISDICTION.**



## PACKAGING CONTENTS



- a. Medium-base socket adapter
- b. LED Lamp Replacement Marking Sticker



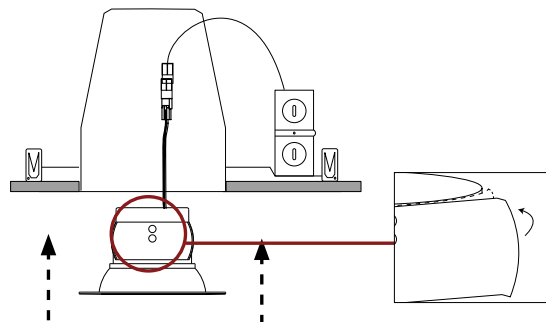
## HOUSING DIMENSIONS

	4" (10.5W)	4" (14.5W)
Height	3-1/2"	5-1/2"
Width	4	4

Install this kit only in luminaires that have the construction features and dimensions described in these instructions, and where the input rating of the retrofit kit does not exceed the input rating of the luminaire.

## FOR LED DEDICATED HOUSINGS:

1. Connect orange female connector to male connector.  
**⚠ IMPORTANT:** Connector is not intended to support weight of the fixture. Please support fixture at all times. When using Nora housings, attaching ground wire not required. For non-Nora housings, attach ground wire if required.
2. Squeeze friction blades on reflector and carefully push fixture into the housing.



## FOR RETROFIT HOUSINGS:

1. Place provided LED Lamp Replacement Marking Sticker inside the housing where visible to installer.
2. If necessary, remove medium-base mounting bracket only to provide room for fixture to be installed fully and properly into the housing. (Figure 1)
3. Attach Medium-base socket adapter (included) to housing and reflector. (Figure 2)  
**⚠ IMPORTANT:** Do not make or alter any open holes in an enclosure of wiring or electrical components during kit installation.

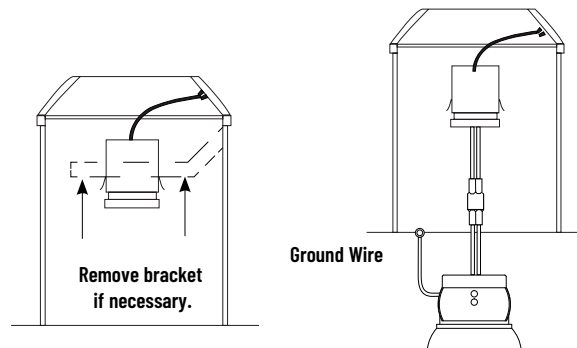


Figure 1

Figure 2