

Installation Instructions

NCAH Series

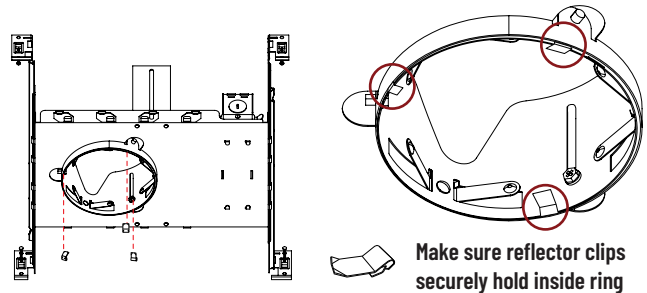
Sapphire I High Lumen New Construction Frame-In

READ PRIOR TO ATTEMPTING INSTALLATION
ALWAYS TURN OFF MAIN POWER BEFORE INSTALLATION
INSTALLATION SHOULD BE CARRIED OUT BY YOUR LOCAL ELECTRICIAN

- ⚠ WARNING** - Risk of fire or electric shock. LED installation kit requires knowledge of luminaires electrical systems. If not qualified, do not attempt installation. Contact a qualified electrician.
- ⚠ WARNING** - Risk of fire or electric shock. Install this kit only in luminaires that have the construction features and dimensions shown in the photographs and / or drawings and where the input rating does not exceed the input rating of the luminaire.
- ⚠ WARNING** - To prevent wiring damage or abrasion, do not expose wiring to edges of sheet metal or other sharp objects.
- ⚠ WARNING** - This equipment is intended to be installed only by qualified personnel. The installation must be made in accordance with the current edition to the National Electric Code and all applicable state and local building codes. The final installation must be approved by the appropriate qualified electrical/building inspector(s). Improper installation may result in a fire or electrical hazard. Be sure the electrical power to the circuit has been disconnected before installing this electrical system.
- ⚠ AVERTISSEMENT** - Cet équipement est destiné à être installé uniquement par du personnel qualifié. L'installation doit être faite en conformité avec l'édition actuelle du Code national de l'électricité et toutes étatiques et locales codes du bâtiment applicables. L'installation finale doit être approuvée par l'inspecteur en électricité / bâtiment qualifié approprié(s). Une mauvaise installation peut entraîner un incendie ou un risque électrique. Soyez sûr de la puissance électrique vers le circuit a été coupée avant l'installation de ce système électrique.

INSTALL REFLECTOR CLIPS

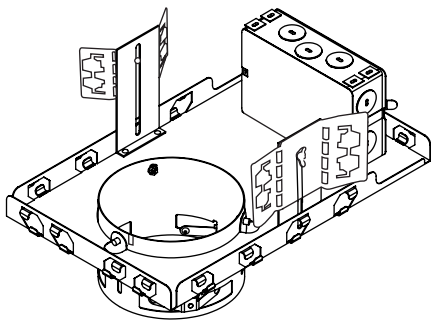
1. Install the three reflector clips onto the edge of the ceiling collar with the clips pointing toward the center of the opening.
2. The clips should be spaced 120° apart.



MOUNTING OPTIONS

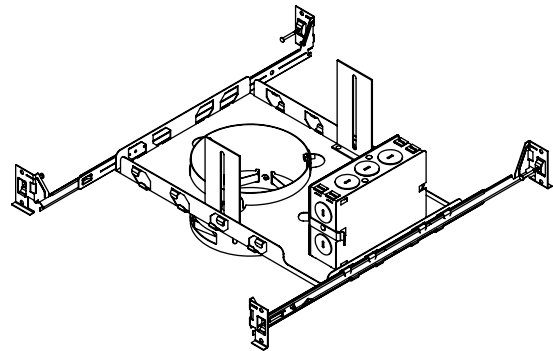
UNIVERSAL MOUNTING BRACKET INSTALLATION

Universal mounting brackets accept flat bar hangers, conduit or C channel. Mounting brackets can be adjusted vertically for different ceiling thickness and positioning.



BAR HANGER INSTALLATION

Two adjustable bar hangers with captive nails are included with each frame. Bar hangers are parallel to junction box, but can be repositioned 90° perpendicular to junction box if desired. L-shaped bar hanger foot aligns to bottom of construction joist. A T-Bar notch allows for easy installation in a suspended ceiling.



⚠ IMPORTANT: Do not make or alter any open holes in an enclosure of wiring or electrical components during kit installation.

Installation Instructions

NCAH Series

Sapphire I High Lumen New Construction Frame-In

READ PRIOR TO ATTEMPTING INSTALLATION
ALWAYS TURN OFF MAIN POWER BEFORE INSTALLATION
INSTALLATION SHOULD BE CARRIED OUT BY YOUR LOCAL ELECTRICIAN

ELECTRICAL CONNECTIONS:

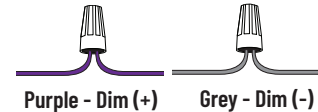
1. Connect 1/2 inch trade size steel conduit to junction box with appropriate fitting. If using Romex-type shielded wiring, use rectangular pry-out strain reliefs located on upper corners of junction box.
2. Connect wires accordingly:
 - Black (120/277V) - Supply Voltage
 - White - Neutral
 - Green / Copper Wire - Grounding Junction Box Wire0-10V Wiring:
 - Purple - Dim (+)
 - Grey - Dim (-)(Maximum of 8 no. 12 AWG through branch circuit conductors suitable for at least 90°C permitted in junction box. AC ONLY)

NOTE ON GROUNDING: Many structures carry grounding via steel conduit. If this is the case, if there is no grounding wire, simply leave green wire on fixture unattached. Fixture will be grounded through attachment of conduit to junction box. However, if Romex or PVC conduit is used, ground wire will always be present, and must be connected to green wire on fixture junction box to avoid electrical shock hazard.

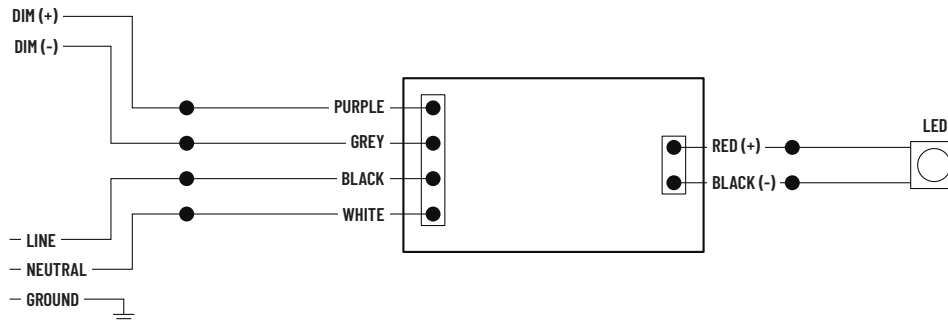
120/277V CONNECTION:



0-10V DIMMING CONNECTION:



WIRING DIAGRAM (0-10V DIMMING)



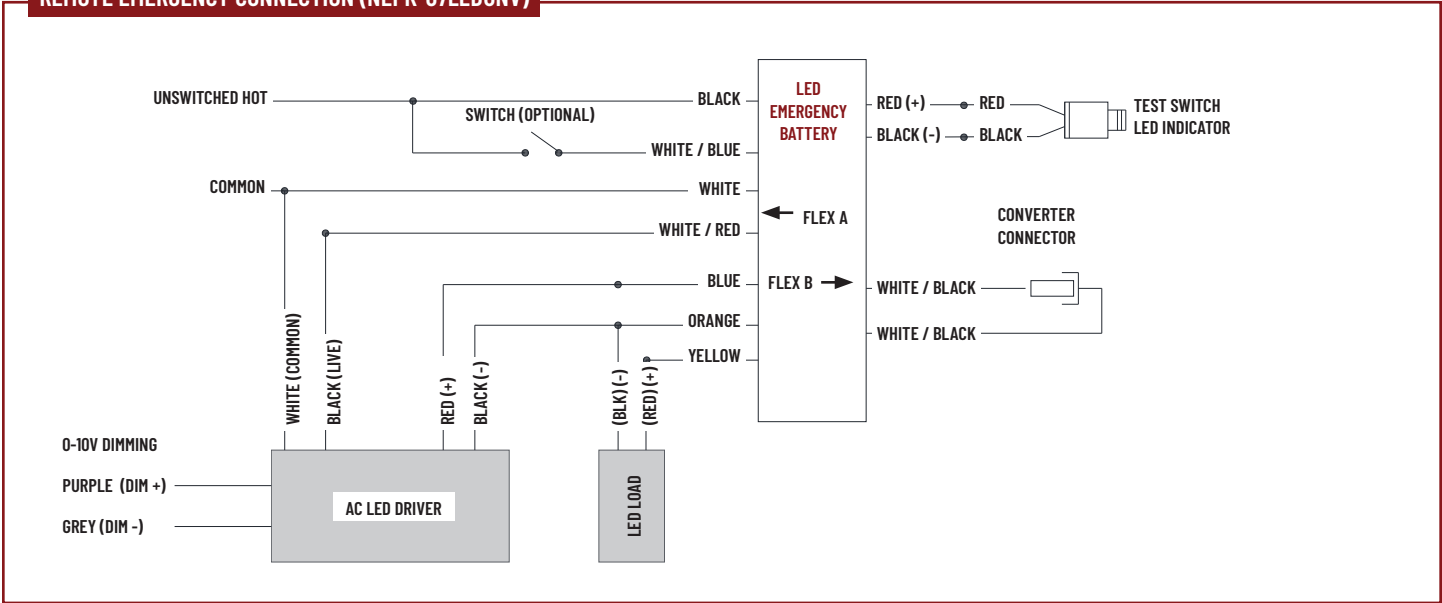
Installation Instructions

NCAH Series

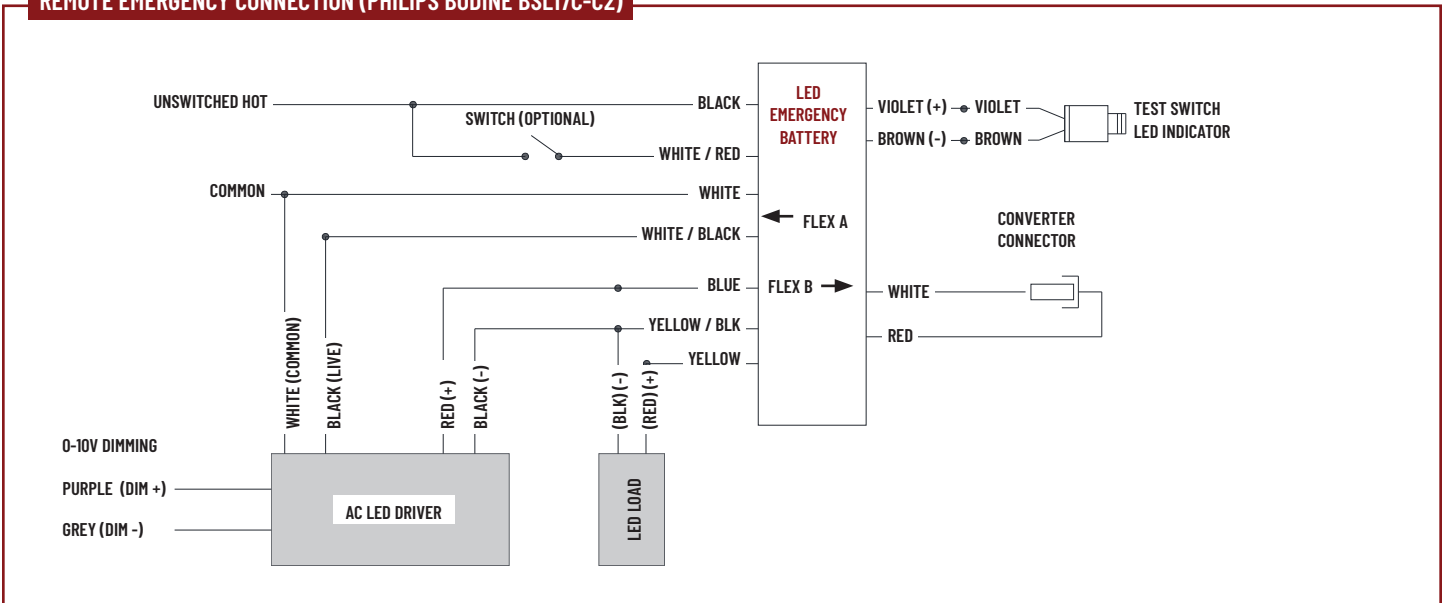
Sapphire I High Lumen New Construction Frame-In

READ PRIOR TO ATTEMPTING INSTALLATION
 ALWAYS TURN OFF MAIN POWER BEFORE INSTALLATION
 INSTALLATION SHOULD BE CARRIED OUT BY YOUR LOCAL ELECTRICIAN

REMOTE EMERGENCY CONNECTION (NEPK-07LEDUNV)



REMOTE EMERGENCY CONNECTION (PHILIPS BODINE BSL17C-C2)



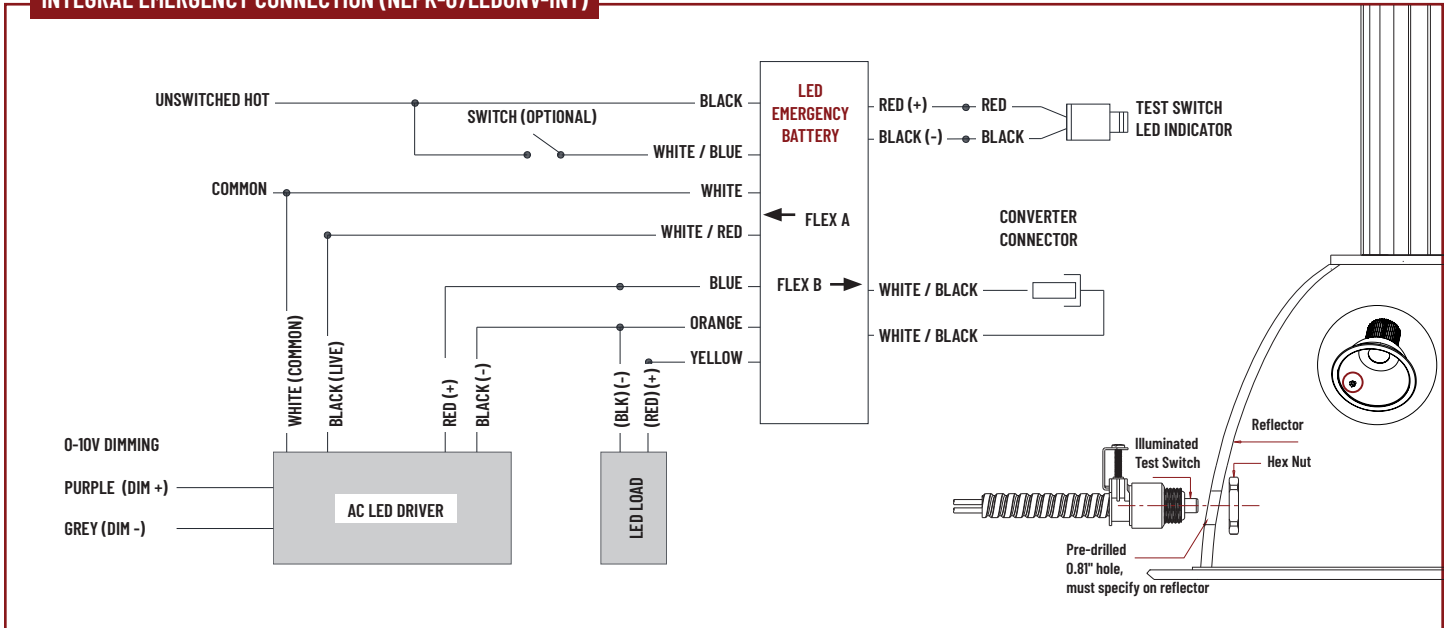
Installation Instructions

NCAH Series

Sapphire I High Lumen New Construction Frame-In

READ PRIOR TO ATTEMPTING INSTALLATION
 ALWAYS TURN OFF MAIN POWER BEFORE INSTALLATION
 INSTALLATION SHOULD BE CARRIED OUT BY YOUR LOCAL ELECTRICIAN

INTEGRAL EMERGENCY CONNECTION (NEPK-07LEDUNV-INT)



INTEGRAL EMERGENCY CONNECTION (PHILIPS BODINE BSL17C-C2-INT)

