

NEWPORT BATH

Wall Lav Rough Valve **1-532U**



Features

- Solid brass construction
- 1/2" NPT female thread (inlet and outlet) valve body
- Mounting tabs located on rough-in for secure installation option
- Quarter-turn washerless ceramic valve cartridges.
- Requires Newport Brass Wall Mount Faucet Trim (many options available, sold-separately)

Codes / Standards Compliance

Meets or exceeds the following at date of manufacture:

- ASME A112.18.1/CSA B125.1-18
- IAMPO/cUPC
- NSF 61
- NSF 372
- IPC
- All applicable US Federal and State material regulations



Colors / Finishes

- 10B: Oil Rubbed Bronze
- 15: Polished Nickel
- 15S: Satin Nickel - PVD
- 26: Polished Chrome
- Other: Refer to the Newport Brass catalog for additional color/finish options.

Specified Model

Model	Description	Colors Finishes
1-532U	Wall Lav Rough Valve	<input type="checkbox"/> NA

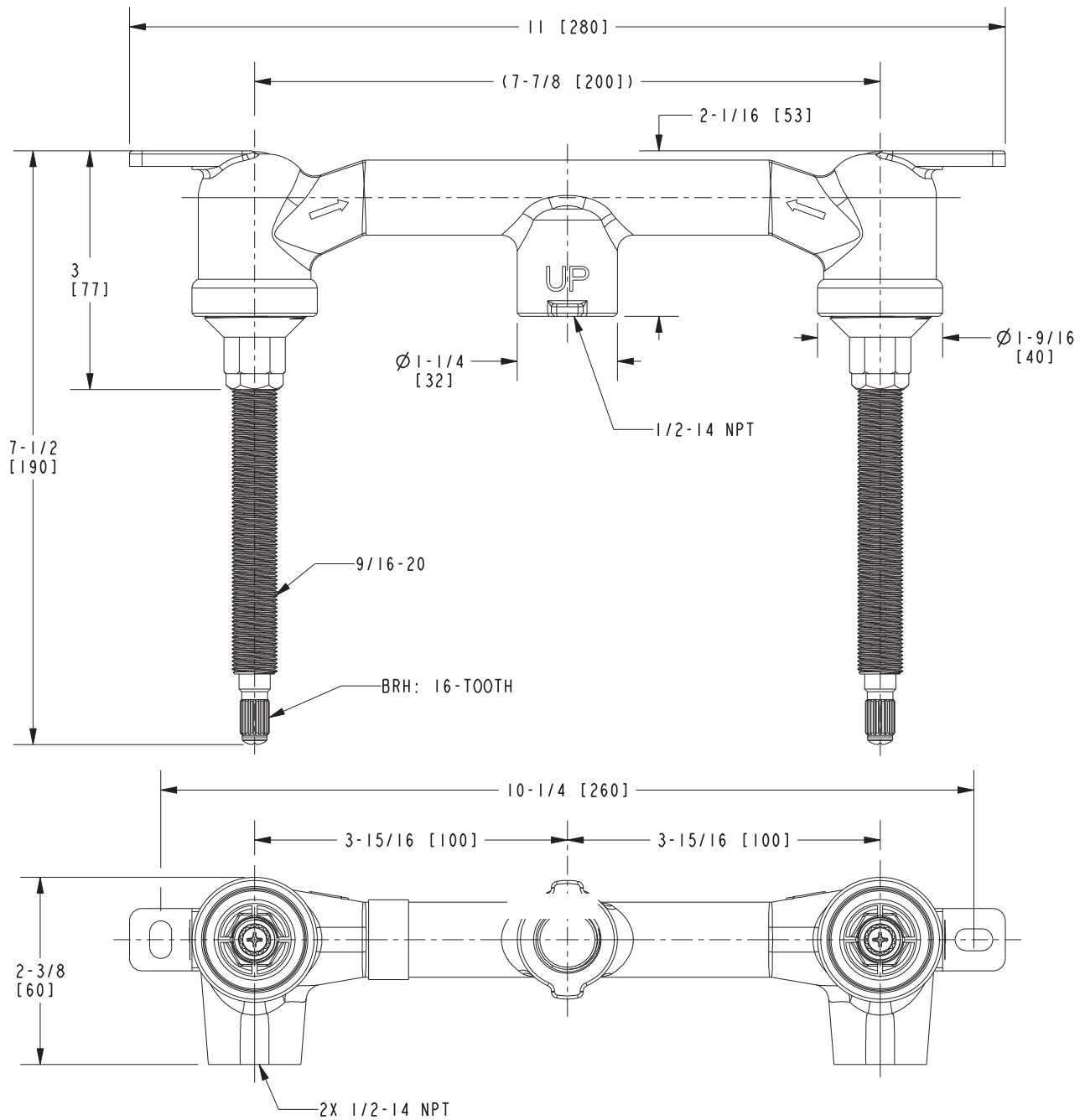
Product Specification:

Add "Color / Finish" suffix to Model number, below.

The wall mount valve for faucet installations shall be made of solid brass construction. Valve body shall have 1/2" NPT female thread for inlets and outlet. Valve body shall incorporate quarter-turn washerless ceramic valve cartridges. Valve body shall incorporate mounting tabs along the back surface. Rough Valve for wall mount faucets installations shall be Newport Brass Model 1-532U.

1-532U

PRODUCT DIMENSIONS *(Units are in inches)*



Newport Wall Lav Rough Valve 1-532U