

## Installation Instructions In-wall Diverter

Model: I-701, I-702, I-703

I-704, I-705, I-706, I-707

I-355, I-356, I-357, I-358

I-478, I-479, I-480, I-481

# NEWPORT BRASS®

*Flawless Beauty. From Faucet to Finish.™*

We Recommend Installation by a Professional Plumbing Contractor.

**Note:** Use plumbers' tape or equivalent to seal all threaded port joints. This valve is designed to fit in a 2" X 4" stud (or thicker) wall installation. Use stem extension kit #I-384 (sold separately) if valve installed is too far away from finished wall.

**Warning:** To prevent severe damage to the valve, any solder/braze process must be performed a minimum of 4" from ports, otherwise cartridge must be removed from the valve body.

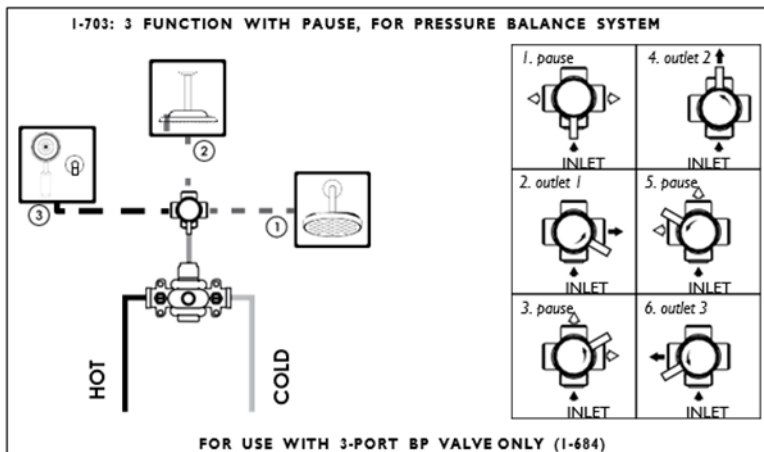
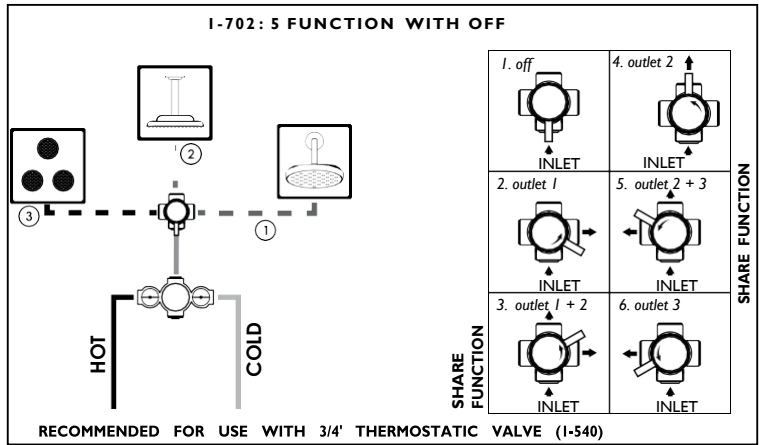
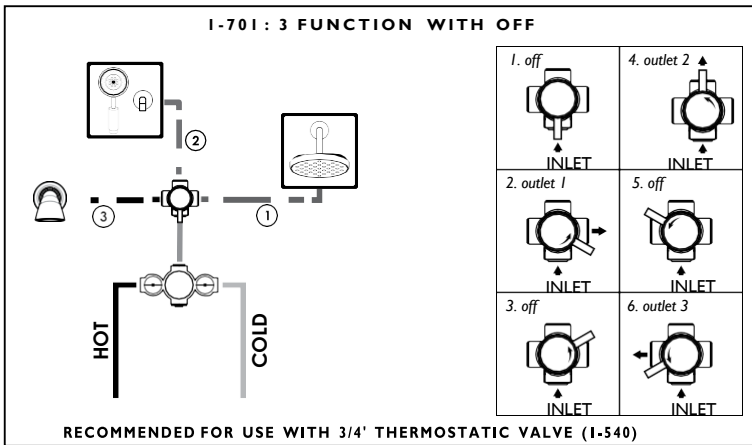
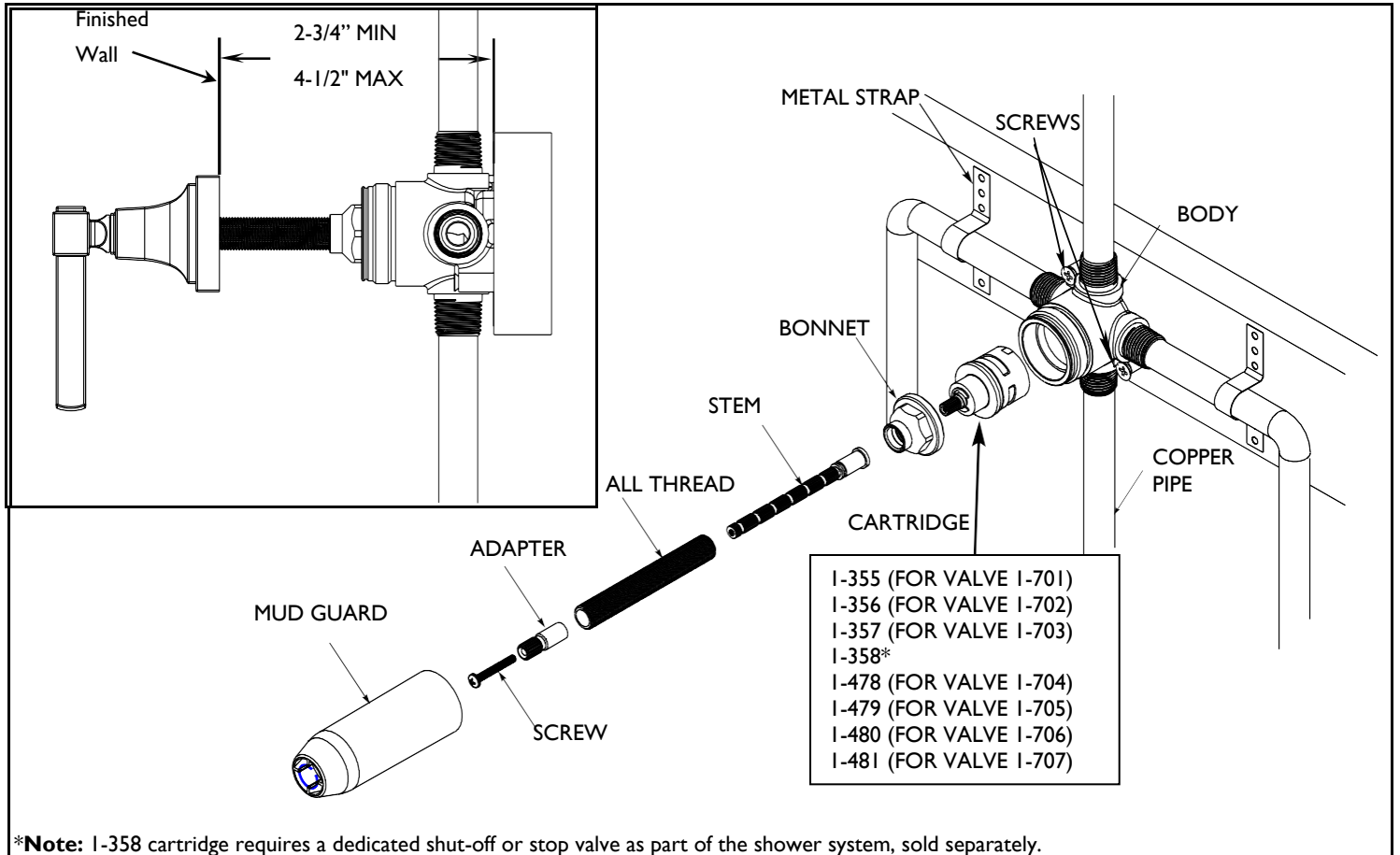
### Installing Diverter:

1. Use METAL STRAP & SCREWS (not included) to position BODY to be 2 3/4" – 4 1/2", as measured from the back side of the valve BODY to the Finished Wall surface as shown in **Fig. I**.
2. Ensure STEM is perpendicular to the Finished Wall.
3. Utilize 1/2" copper supply pipe and 1/2" Socket End x 1/2" NPT Female Pipe Adapters to sweat water line to the inlet & outlets of the valve BODY (**NOTE:** 1/2" copper supply line can be sweated directly to the internal diameter of inlet & outlets). If sweating within 4" from valve, remove cartridge during this process.

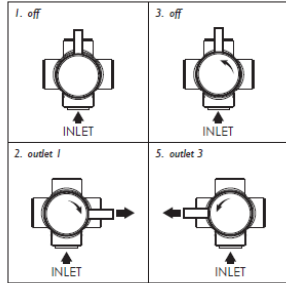
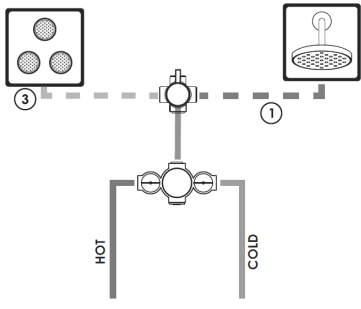
**NOTE: If CARTRIDGE is removed during installation, re-torque BONNET to 15-20 ft-lbs.**

4. Temporary remove MUD GUARD. With the STEM of the shut-off valve (either the diverter itself, BP, or thermo shut-off) in the closed position, turn on water supply, pressurize system and check for leaks. Next, position a bucket in front of the valve outlet, use pliers to slowly open the shut-off valve. This is to flush out any debris and check for any blockage within the valve. Allow the water to flow for at least one minute. Rotate the STEM to flush out all other outlets. With the pressure on, close the shut-off valve and carefully inspect for leaks. Repair or adjust as needed.
5. Cap all the outlets and rotate the STEM to check for leaks at the outlet connections.
6. Installation for the In-wall Diverter Valve is now complete. Reinstall the MUD GUARD onto the STEM. Proceed to complete Finished Wall surface (**Important:** to ensure enough clearance to remove the CARTRIDGE for future service, utilize the MUD GUARD to ensure opening of the Finished Wall around the CARTRIDGE is to be round, with a diameter between 1 5/16"– 1 3/8" and concentric with the cartridge STEM). To install Wall Handle Trim, follow installation instruction provided with the trim product.

**Fig. 1**

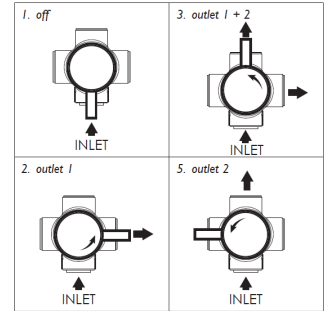
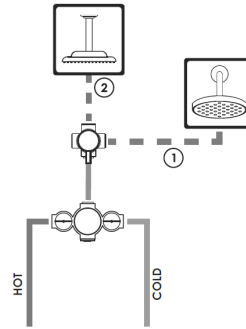


**I-704 : 2 FUNCTION WITH OFF**



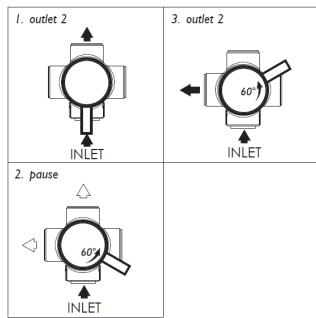
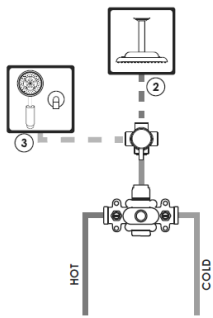
RECOMMENDED FOR USE WITH 3/4" THERMOSTATIC VALVE (I-540)

**I-705 : 3 FUNCTION WITH OFF**



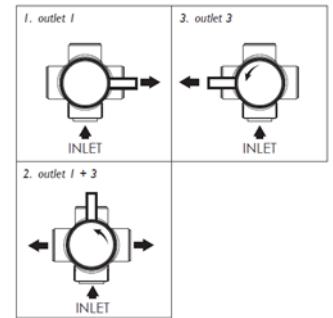
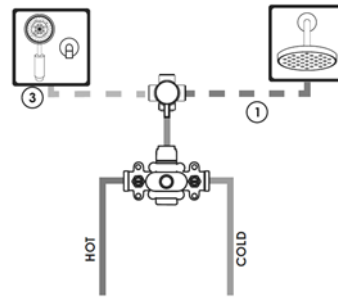
RECOMMENDED FOR USE WITH 3/4" THERMOSTATIC VALVE (I-540)

**I-706 : 2 FUNCTION WITH PAUSE & NO OFF**



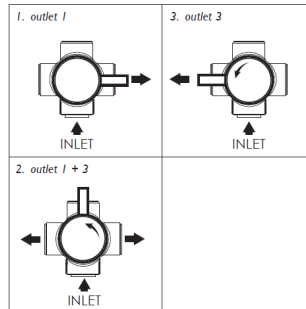
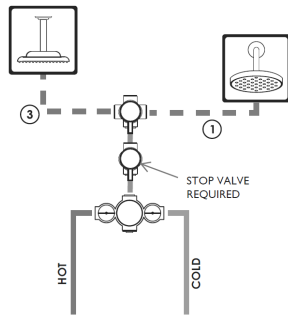
FOR USE WITH 3-PORT BP VALVE ONLY (I-684)

**I-707 : 3 FUNCTION WITH SHARE (OPTION 1 w/ BP VALVE)**



FOR USE WITH 3-PORT BP VALVE ONLY (I-684)

**I-707 : 3 FUNCTION WITH SHARE (OPTION 2 WITH THERMOSTATIC VALVE)**



RECOMMENDED FOR USE WITH 3/4" THERMOSTATIC VALVE (I-540)