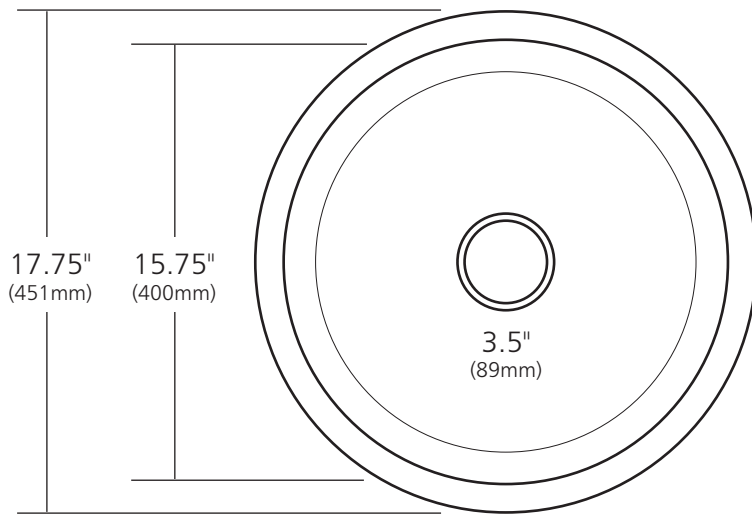


SPECIFICATIONS

REDONDO GRANDE



- CPS251- Antique
- CPS551- Brushed Nickel
- CPS451- Polished Copper
- CPS851- Polished Nickel

PRODUCT DETAILS

- 17.75" x 9.5" OD (451mm x 241mm)
- 15.75" x 9" ID (400mm x 229mm)
- Hand hammered 16 gauge recycled copper
- 3.5" (89mm) drain opening
- Dimensions are not exact and may vary $\pm 1/2"$ (13mm)

*This product may be customized.
See nativetrails.net/customization for details.*

INSTALLATION

- Universal Mount

COORDINATING PRODUCTS

- Drains: DR320 or DR340
- Bottom Grid: GR914
- MetalProtect™

STANDARDS COMPLIANCE

- UPC/cUPC compliant

IMPORTANT

Due to the handcrafted nature of this product, it will vary in finish, texture, hammering, and other details. Dimensions may vary up to 1/2" (13mm). We strongly recommend waiting for the actual product before making any installation cuts.

