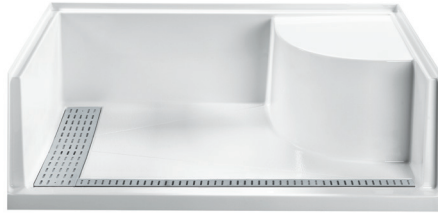
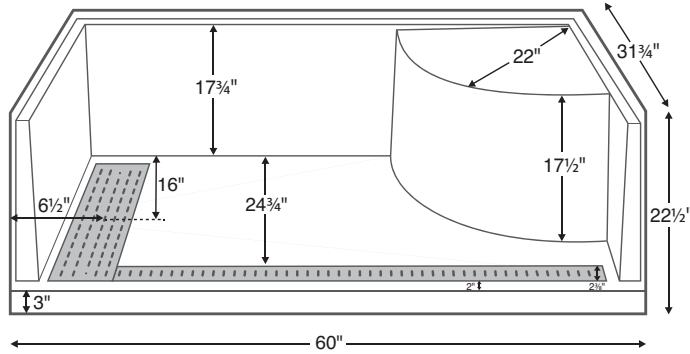


Designer Collection Shower Bases

MTSB-6032BFSeated

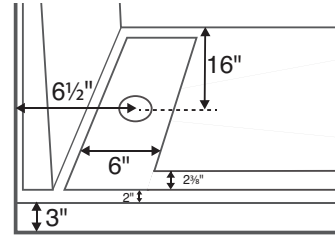


Shown above with left-hand drain.



When ordering, please specify left- or right-hand drain.

| |
|---|
| 60" x 31.75" x 22.5" (exterior bottom of base) |
| BARRIER-FREE, SEATED THRESHOLD textured floor |
| End Drain |
| Acrylic CXL® |
| 115 lbs / 52 kg |



Designed to be recessed into floor, to create a flat transfer surface.

| Model # | Package Content | Size | Shape | MSRP |
|----------------|--|----------------------|-----------|----------------|
| SB6032BFSeated | Natural stainless steel drain and channel cover, PVC drain kit | 60" x 31.75" x 22.5" | Rectangle | \$2,920 |

| Options <i>Must be ordered at time of purchase</i> |
|--|
| Color Please specify color on order White (CWH) Biscuit (CBS) |
| Quick Ship (QSPRI) \$430 Reduces lead time. Please call for availability. |
| Radiance® (RAD100) \$1,595 Shower floor heating system. Radiance heating grids are fully integrated within the acrylic shell structure of the shower floor. Requires a 110-volt, 15 amp GFCI and remote installation of control box & keypad. |
| Pre-Levelled Foam Base (PLFSB) \$220 |
| Drain & Channel Cover Natural stainless steel drain & channel installed on base as standard. Substitute with the following available options: Powder Coated White Stainless Steel Hidden Drain Cover (DCT60W) Must specify part code on order; comes in lieu of standard cover. |

| Accessories |
|--|
| Drain Kit Options Solid Brass Drain Kit with Stainless Steel Cover (SBDKSB) \$195 |

IMPORTANT ORDERING & INSTALLATION INFORMATION

- Zero-barrier single front threshold design with integrated seat designed for ease of transition between bathroom and shower area.
- 3-sided integral tile flange to facilitate installation. Must specify drain hand on order.
- 3.5" drain opening pre-drilled.
- Compliant with ASTM C 1028-07 coefficient of friction test.
- Add proper wet-bedding compound to fully support bottom of shower base. Optional factory installed Pre-Levelled Foam Base negates the need to wet bed when installing on a flat, level subfloor. See installation instructions.

• Options and accessories may be packaged inside the box. Always check packaging before discarding.
• All product measurements are ±1/2".
• Specifications and configurations are subject to change without notice.
• Measurements herein supersede all others published prior to publication date below.

See the Installation & Operation Manual for more details.
MTI's Customer Service: Monday-Friday 8am-6pm EST
800-783-8827 or service@mtibaths.com

CSA # MTSB-6032BFSEATED

©2023 by MTI Baths, Inc. Modification Rights Reserved



Rev. 03 29 2023