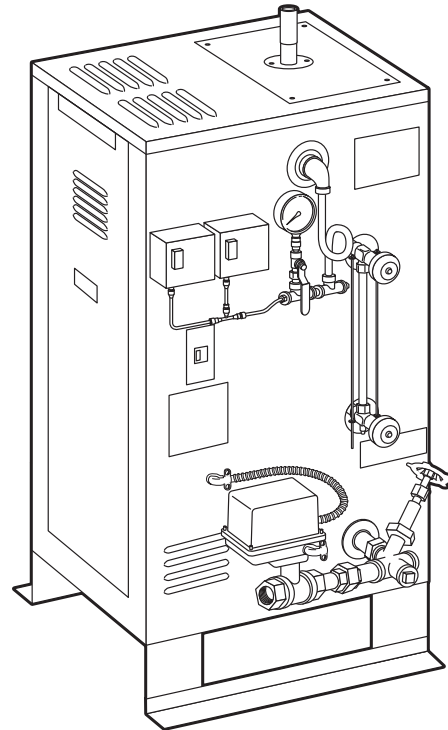


CU Models 360-4500

Mr.Steam CU Standard Features:

- Stainless steel jacket prolongs life of unit
- Carbon steel pressure vessel meets ASME and National Board requirements for low-pressure operation
- Adherence to National and Local codes, and cULus listed
- All units are wired and pre-tested before shipping to assure all parts of the generator are working perfectly
- Automatic Blowdown System discharges daily accumulation of minerals and salt at desired day and time set by its timer to optimize generator performance
- Specifically designed for commercial applications that require continuous or near continuous use so they are available to use all day
- Steam-On-Demand maintains pre-selected temperatures utilizing minimum energy for maximum heat, instantly
- One generator can operate up to two rooms



Safety Features

- High pressure shutoff redundancies
- Corrosion-resistant Stainless steel heating elements
- ASME safety valve for emergency pressure venting
- Auxiliary Low Water cutoff with Manual Reset
- Acrylic Shield included to help prevent burns from coming into contact with the steam head.

Required Plumbing

Steam Outlet: 1" NPT

Drain Line: 1" NPT

Steam Head: 3/4" NPT

Water Supply: CU360-1400 1/4" NPT
CU2000 + up 1/2" NPT

Safety Valve: CU360-1400 3/4" NPT
CU2500-3000 3/4" NPT
CU2000 1/2" NPT
CU4500 1" NPT

Generator Model No.	KW	Max Room Volume* (cu ft)	Water Inlet Size NPT	Generator Outlet Size, NPT	Dimensions (inches)			Shipping Wt. (lbs.)
					W	L	H	
CU360	9	400	1/4"	1"	20	30	38	230
CU500	12	500	1/4"	1"	20	30	38	230
CU750	18	750	1/4"	1"	20	30	38	230
CU1000	24	1000	1/4"	1"	20	30	38	230
CU1250	30	1250	1/4"	1"	20	30	38	230
CU1400	36	1400	1/4"	1"	20	30	38	300
CU2000	48	2000	1/2"	1"	24	33	44	330
CU2500	60	2500	1/2"	1"	24	33	44	380
CU3000	72	3000	1/2"	1"	24	33	44	390
CU4500	108	4500	1/2"	1-1/2"	28	34	59	625

*After taking into consideration all factors affecting resultant steam room volume including length, width & height of steam room and distance to generator, select proper Model CU generator. Consult with an architect, engineer, designer and/or contractor before making final selection.

CU360-1400

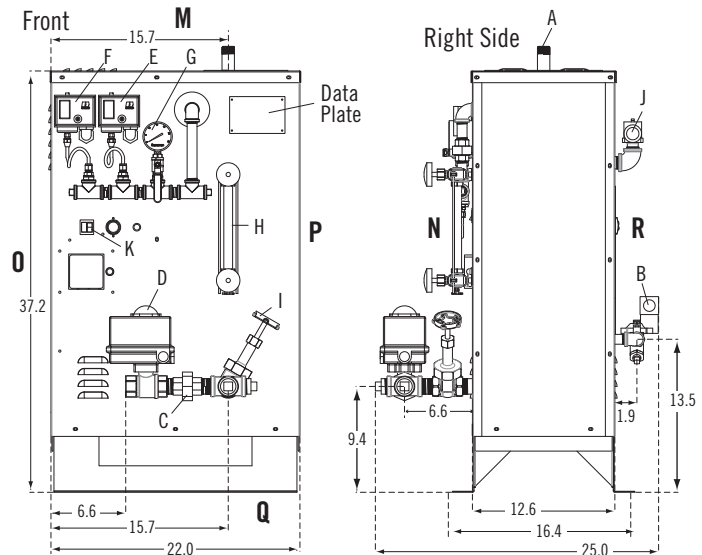
DIMENSIONS & CLEARANCE SPECIFICATIONS

IMPORTANT:

Minimum Clearance from Combustible Surfaces:

- M** 1" above top of CU generator
- N** Front of CU generator suitable for alcove installation only.
- O** 1" from left side of CU generator.
- P** 16" from right side of CU generator.
- Q** Type of flooring: "C", suitable for combustible flooring.
- R** 1" from rear of CU generator.

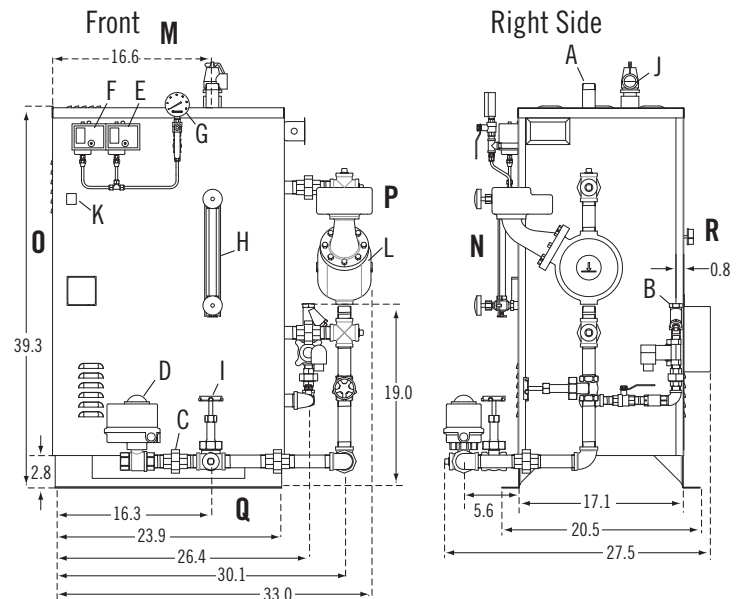
For ease of servicing, Mr. Steam recommends a minimum of 36 inches of clearance all around the CU generator.



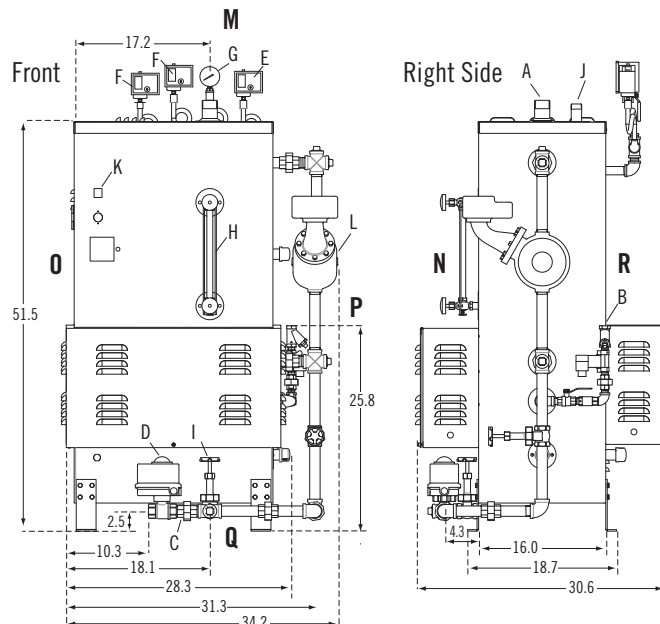
CU2000

Label Function

- A** Steam Outlet
- B** Water Inlet
- C** Drain Outlet
- D** Optional Automatic Blowdown Valve
- E** High Limit Pressure Control
- F** Operating Pressure Control
- G** Pressure Gauge
- H** Gauge Glass Assembly
- I** Drain Valve
- J** Safety Valve
- K** On/Off Switch
- L** MM 150 Liquid Level Control



CU4500



Locating and Installing the Steam Generator Unit

- Select a location as near as practical to the steam room, within 25 feet. Typical locations include: Closets, supply rooms or maintenance areas.
- Do not install steambath generator inside the steam room
- Do not install steambath generators outside or wherever environmental conditions may affect the safety and/or performance of the generator
- Do not install steambath generator near flammable or corrosive materials or chemicals or in areas having a high concentration of chlorine
- Install steambath generator on a solid and level surface in the upright position only
- Provide ample clearance around the generator as listed in the IOM
- Provide unions as required to facilitate installation and disconnection of the generator.
- Locate the steam line, safety valve, drain valve, plumbing and steam head in a location where they will not come in contact with service personnel or bathers. These objects will get hot during operation and after shutdown while the boiler is still cooling down.
- Recommended to install boiler in a locked room that is accessible by only authorized personnel and not the general public.

Power Wiring

1. Check power voltage. Confirm it is same voltage that is specified on the unit
2. Use minimum 90°C rated insulated copper conductors only, type THHN or equal sized in accordance with National Electrical Code and local electrical code for the Amps in Ampere Chart.
3. Connect suitably sized equipment grounding wire to ground terminal provided.
4. Install a separate circuit breaker between supply and unit provide a power supply disconnect within sight of the steam generator or one that is capable of being locked in the open position
5. An additional 120VAC line is required to run the controls inside the boiler if the transformer has not been added as a factory option.

Electrical

All electrical wiring to be installed by a qualified licensed electrician in accordance with National Electrical Code and local electrical code.










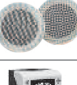




AMPERAGE CHART

Indicates Total Ampere Draw of Specific CU Model at Voltage & Phase Specified

Model No.	kW	208V/1 PH	208V/3 PH	240V/1 PH	240V/3 PH	480V/3 PH	600V/3 PH
CU360	9	44	25	38	22	11	9
CU500	12	58	34	50	29	15	12
CU750	18	87	50	75	44	22	18
CU1000	24	116	67	100	58	29	24
CU1250	30	145	84	125	73	37	29
CU1400	36	-	100	-	87	44	35
CU2000	48	-	134	-	116	58	47
CU2500	60	-	167	-	145	73	58
CU3000	72	-	200	-	174	87	70
CU4500	108	-	300	-	260	130	104

IMPORTANT: Use minimum 90° C insulated copper conductors only for field wiring sized in accordance with National and local electric Codes.

NOTE: Consult factory for other voltage/phase combinations. CU generators are suitable for 50/60 hz. Standard control circuit voltage for above V/PH combinations for United States, Canada and Mexico is 120 VAC. Exception: 220-240 VAC control circuit voltage is provided on non-domestic product where power voltage is 220-240 V/3 PH, 380V/3PH, 415V/3 PH, etc.

CU 1 Generator Packages				
MODEL NO.	VOLTAGE	PHASE	INCLUDED COMPONENTS	SUB OPTIONS
<input type="checkbox"/> C0360	<input type="checkbox"/> 208	<input type="checkbox"/> 1-Single	 <input type="checkbox"/> Digital 1 Control Pkg (CU1-D1) includes	
<input type="checkbox"/> C0500	<input type="checkbox"/> 240	<input type="checkbox"/> 3-Three	 (1) CU SteamHead & (1) Steam Solenoid	
<input type="checkbox"/> C0750	<input type="checkbox"/> 480		 <input type="checkbox"/> Automatic Blowdown System with Digital Timer	
<input type="checkbox"/> C1000	<input type="checkbox"/> 600		<input type="checkbox"/> Auxiliary Manual Reset Low Water Cutoff	
<input type="checkbox"/> C1250			<input type="checkbox"/> Transformer 1/4 KVA	<input type="checkbox"/> 240V <input type="checkbox"/> 480V
<input type="checkbox"/> C1400				
CU 2 Generator Packages				
MODEL NO.	VOLTAGE	PHASE	INCLUDED COMPONENTS	SUB OPTIONS
<input type="checkbox"/> C2000	<input type="checkbox"/> 208	<input type="checkbox"/> 3-Three	 <input type="checkbox"/> Digital 1 Control Pkg (CU2-D1) includes	
<input type="checkbox"/> C2500	<input type="checkbox"/> 240		 (2) CU SteamHeads & (2) Steam Solenoids	
<input type="checkbox"/> C3000	<input type="checkbox"/> 480		 <input type="checkbox"/> Automatic Blowdown System with Digital Timer	
<input type="checkbox"/> C4500	<input type="checkbox"/> 600		<input type="checkbox"/> Auxiliary Manual Reset Low Water Cutoff	
			<input type="checkbox"/> Transformer 1/4 KVA	<input type="checkbox"/> 240V <input type="checkbox"/> 480V
OPTIONAL COMPONENTS				
			 <input type="checkbox"/> AromaFlo Oil Delivery System	<input type="checkbox"/> Eucalyptus Oil <input type="checkbox"/> Lavender Oil
			 <input type="checkbox"/> ASME Code Blowdown Tank	<input type="checkbox"/> BDT36 for models C0360 - C2000 <input type="checkbox"/> BDT42 for models C2500 - C4500
			 <input type="checkbox"/> CU Recessed Light	
			 <input type="checkbox"/> CU Speakers	
			 <input type="checkbox"/> CU SteamStop	
			 <input type="checkbox"/> Room Timer	<input type="checkbox"/> Digital <input type="checkbox"/> Mechanical
			 <input type="checkbox"/> CU Alarm	
			 <input type="checkbox"/> Over Temperature Alarm & Shut Off Device	

PROJECT INFORMATION	
Location:	Submitted By:
Architect:	Date:
Engineer:	Notes:
Contractor:	

FOR ILLUSTRATIVE PURPOSES ONLY.

IMPORTANT NOTE: FOR SAFE AND TROUBLE FREE INSTALLATION visit mrsteam.com before installation to download the Installation, Operation and Maintenance Manual or refer to the manual provided with the unit.