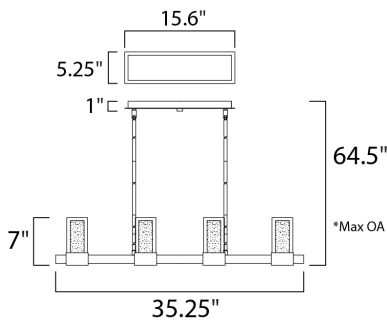




PRODUCT DESCRIPTION

Rods of bubble glass are encased inside a Clear glass cylinder, which are supported in a cast Polished Chrome frame. Dual LED modules bring the bubble glass to life, while also providing ample illumination to the surface below.



*max overall height

MEASUREMENTS

DIMENSION : 35.25" L x 11.5" W x 7" H
 MAX OAH : 64.5" OAH
 CANOPY : 5.25" W x 1" H x 15.6" L
 HANGING WEIGHT : 22 lb

LAMPING

INPUT VOLTAGE : 120V
 LUMENS : 2,688 Rated
 BULB : 16 x 4.5W LED PCB Integrated , 72W Total
 BULB INCLUDED : (Integrated)
 DIMMABLE : Triac CL
 CRI : 80+ CRI
 COLOR_TEMP : 3000K

FINISHES OPTION



GLASS

Clear CL

MATERIAL

Metal, Glass

RATINGS

cETLus
 Dry Location



ADDITIONAL

OPERATING TEMPERATURE:
 -20°C (-4°F), 40°C (104°F)

Always consult a qualified electrician before installing any lighting product.



WESTERN DISTRIBUTION CENTER (HEADQUARTER)
 253 NORTH VINELAND AVE | CITY OF INDUSTRY, CA 91746

EASTERN DISTRIBUTION CENTER
 4200 SHIRLEY DR. | ATLANTA, GA 30336

P. 626.956.4200 | F. 626.956.4225 | maximlighting.com