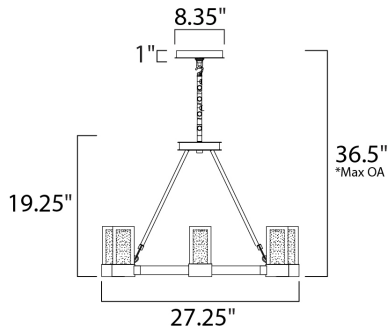




PRODUCT DESCRIPTION

Rods of bubble glass are encased inside a Clear glass cylinder, which are supported in a cast Polished Chrome frame. Dual LED modules bring the bubble glass to life, while also providing ample illumination to the surface below.



*max overall height

MEASUREMENTS

- DIMENSION : 27.25" W x 18" H
- MAX OAH : 65" OAH
- CANOPY : 8.35" W x 1" H x 8.35" L
- HANGING WEIGHT : 24 lb

LAMPING

- INPUT VOLTAGE : 120V
- LUMENS : 2,016 Rated
- BULB : 12 x 4.5W LED PCB Integrated , 54W Total
- BULB INCLUDED : (Integrated)
- DIMMABLE : Triac CL
- CRI : 80+ CRI
- COLOR_TEMP : 3000K

FINISHES OPTION



GLASS

Clear CL

MATERIAL

Metal, Glass

RATINGS

cETLus
Dry Location



ADDITIONAL

SLOPE: 120
OPERATING TEMPERATURE:
-20°C (-4°F), 40°C (104°F)

Always consult a qualified electrician before installing any lighting product.



WESTERN DISTRIBUTION CENTER (HEADQUARTER)
253 NORTH VINELAND AVE | CITY OF INDUSTRY, CA 91746

EASTERN DISTRIBUTION CENTER
4200 SHIRLEY DR. | ATLANTA, GA 30336

P. 626.956.4200 | F. 626.956.4225 | maximlighting.com