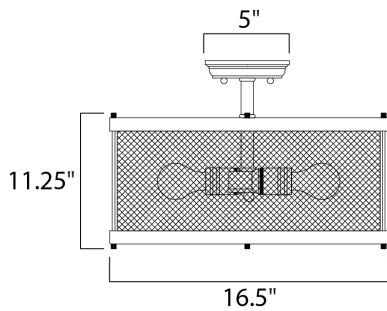




PRODUCT DESCRIPTION

Popular in today's interior design is this industrial collection featuring frames of metal mesh finished in Black and accented with cast Natural Aged Brass accents looks great with vintage carbon filament bulbs. A large variety of size and price points are provided to satisfy everyone from the discriminate designer to the building contractor.



MEASUREMENTS

DIMENSION : 16.5" L x 16.5" W x 11.25" H
 CANOPY : 5" W x 1.25" H x 5" L
 HANGING WEIGHT : 5.28 lb

LAMPING

INPUT VOLTAGE : 120V
 LUMENS : 0 Rated
 BULB : 3 x 60W Incandescent E26 Medium , 180W Total
 BULB INCLUDED : (Not Included)
 DIMMABLE : Yes

FINISHES OPTION

 Black / Natural Aged Brass

MATERIAL

Steel

RATINGS

cETLus
 Dry Location



ADDITIONAL

OPERATING TEMPERATURE:
 -20°C (-4°F), 40°C (104°F)

Always consult a qualified electrician before installing any lighting product.



WESTERN DISTRIBUTION CENTER (HEADQUARTER)
 253 NORTH VINELAND AVE | CITY OF INDUSTRY, CA 91746

EASTERN DISTRIBUTION CENTER
 4200 SHIRLEY DR. | ATLANTA, GA 30336

P. 626.956.4200 | F. 626.956.4225 | maximlighting.com