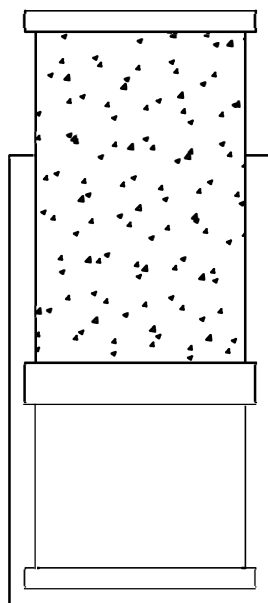




PRODUCT NAME: Pillar LED 2-Light Wall Mount
ITEM NUMBER: 53685

Please consult your electrician for hanging fixture and wiring.



To prevent water intrusion, caulk around back-plate where fixture meets the wall using outdoor silicone sealant. Leave a small gap at the bottom to allow moisture to exit.

"This fixture is designed to dim with an Electronic Low Voltage dimmer. Dimming levels will vary by dimmer.

Below is a List of Recommended Dimmers:

* Lutron DVCL-153P-WH

Due to inrush current, wattage should not exceed 150 Watts of product for a 600 Watt dimmer."

20W AC LED

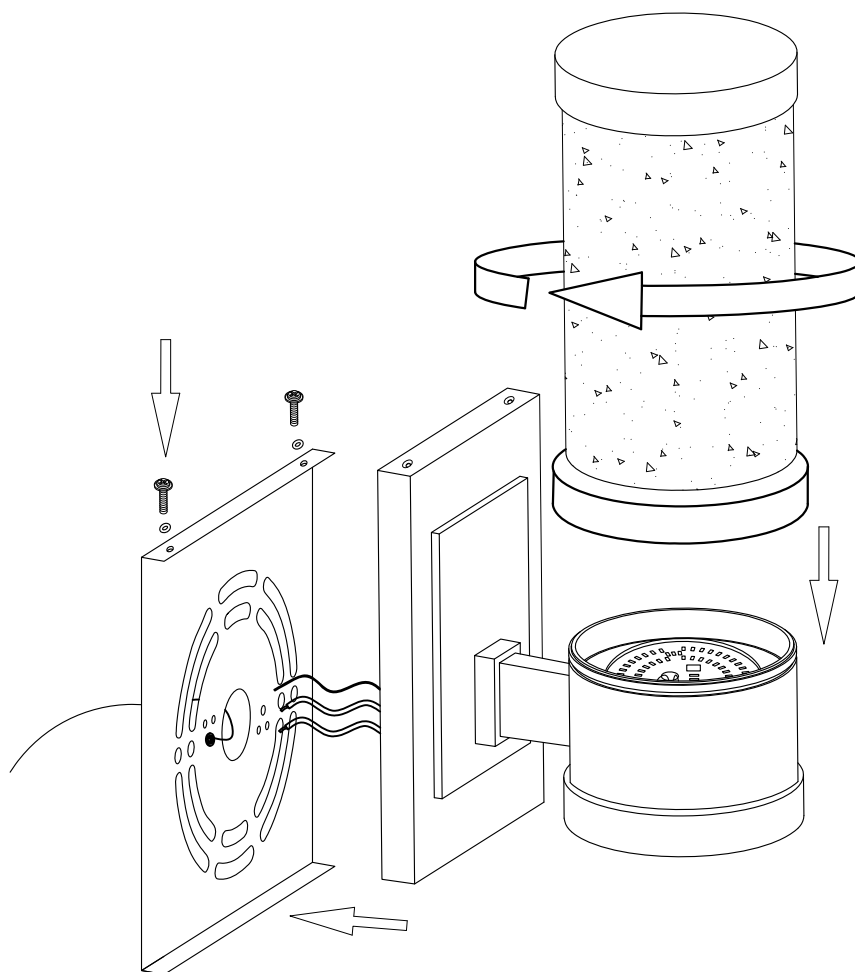


PRODUCT NAME: Pillar LED 2-Light Wall Mount

ITEM NUMBER: 53685

CAUTION: Before starting the installation, disconnect the power by turning off the circuit breaker or by removing the fuse at the fuse box.

Carefully unpack and identify all parts before assembly



Installation Procedures

1. Remove mounting bracket from fixture and install to electrical box.
2. Wire fixture to wires in outlet box. Copper wire is for Ground.
3. Attach fixture to mounting bracket and tighten screws on the side so fixture meets wall.
4. Attach bubble glass column to fixture by threading onto cup.
(For outdoor use, caulk fixture with silicone sealant)