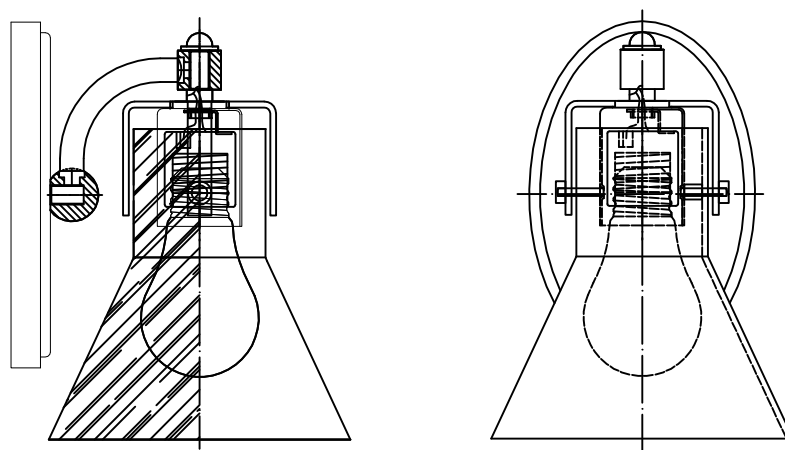




**PRODUCT NAME:** Seafarer 1LT Wall Sconce  
**ITEM NUMBER:** 26111

**Please consult your electrician for Hang fixture and wiring.**

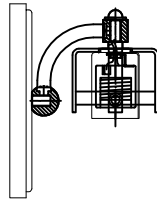


**Bulb(not included) :1\*MB 60W**

**IMPORTANT:** Turn off power at the main fuse or circuit breaker box before starting installation



(A) Bracket

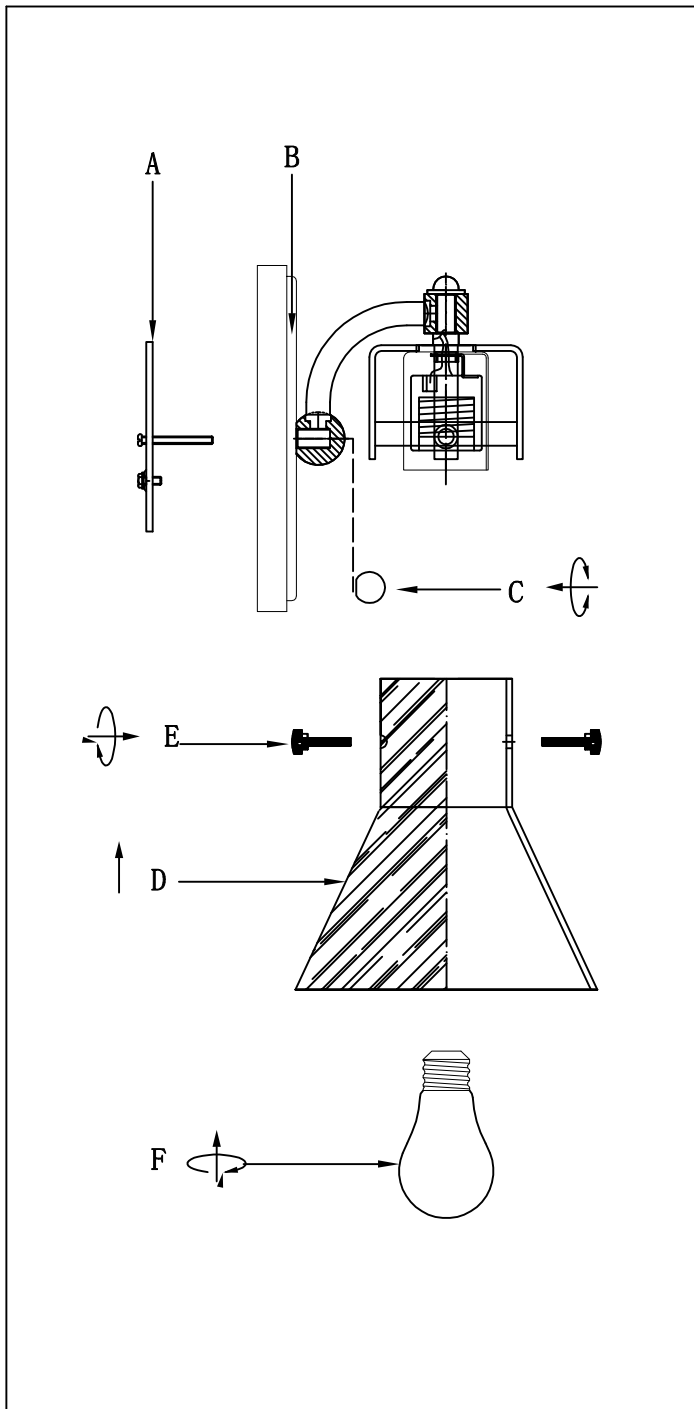


(B) Body



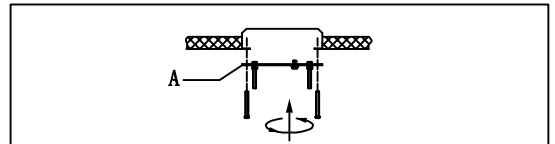
(C) Ball nut

### Locate all hardware & components before discarding packaging



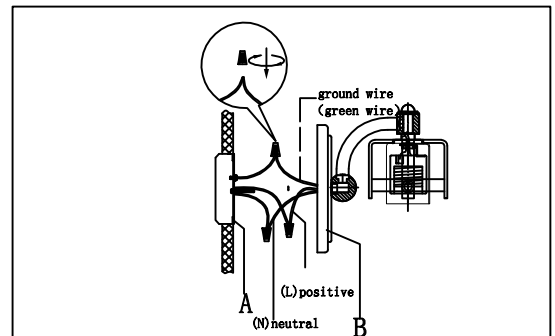
Fixture can only be installed down.

1.)



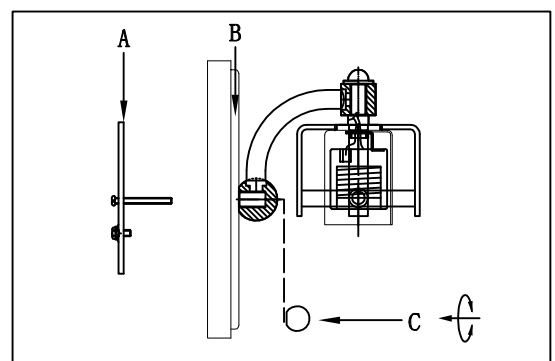
Remove mounting bracket(A) from fixture and install to electrical box.

2.)



Step. 2: Wire fixture to wires in outlet box.  
Copper/Green wire is for Ground.

3.)

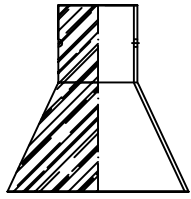


Step. 3: Install fixture to bracket(A) and tighten ball nuts (C) on the backplate to secure.

### Cleaning & Care:

Clean with soft cloth and a mild detergent.  
Do not use abrasive cleaner.

**IMPORTANT:** Turn off power at the main fuse or circuit breaker box before starting installation



(D) Glass shade

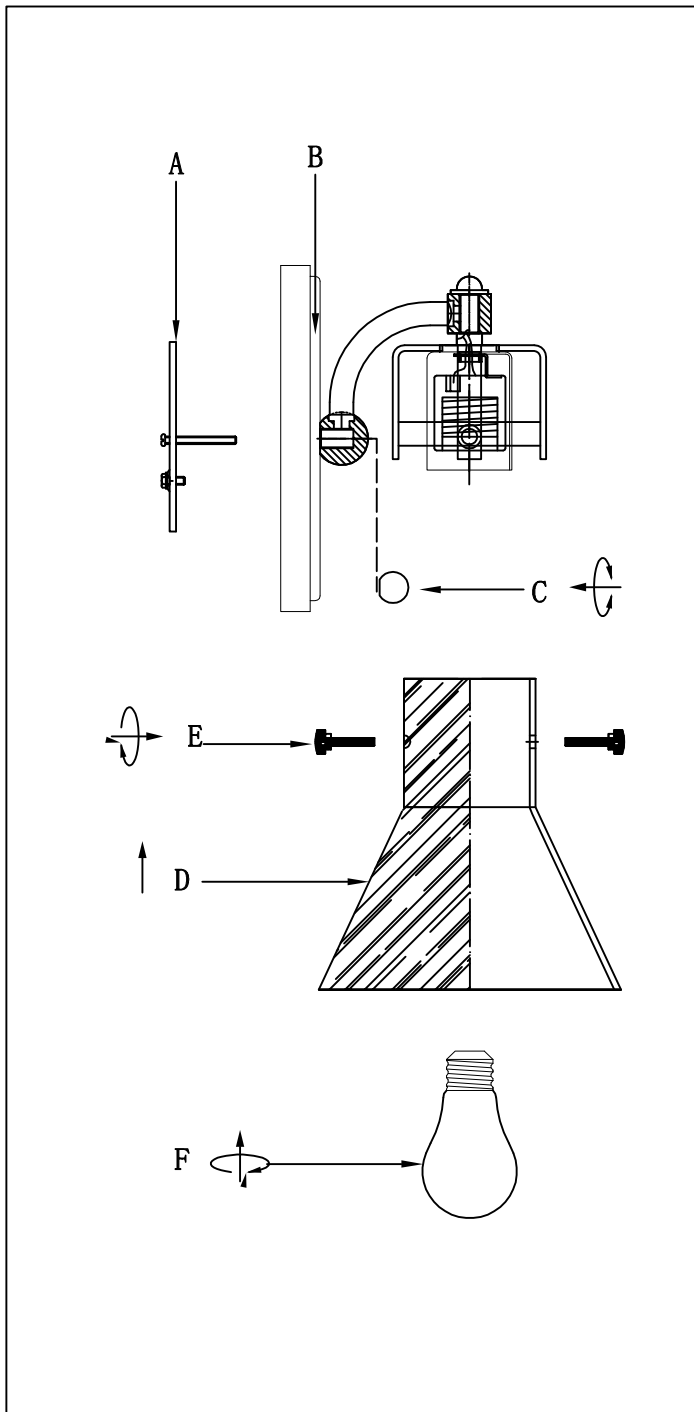


(E) Ball nut

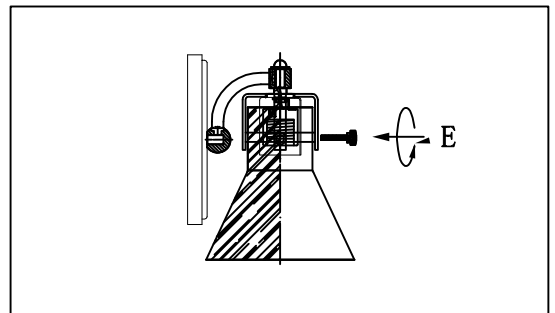


(F) Bulb

**Locate all hardware & components before discarding packaging**

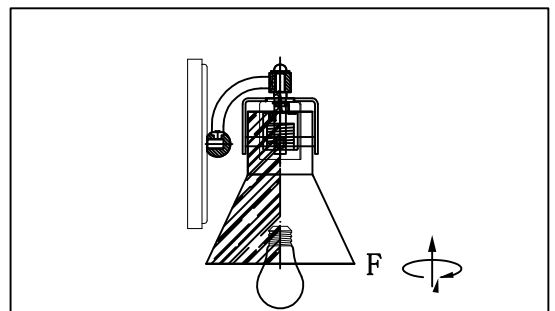


4.)



**Step. 4:** Place the Glass shade on the lamp body (C) and lock screw (E).

5.)



**Step. 5:** Install the bulb

Fixture can only be installed down.

**Cleaning & Care:**

Clean with soft cloth and a mild detergent.  
Do not use abrasive cleaner.