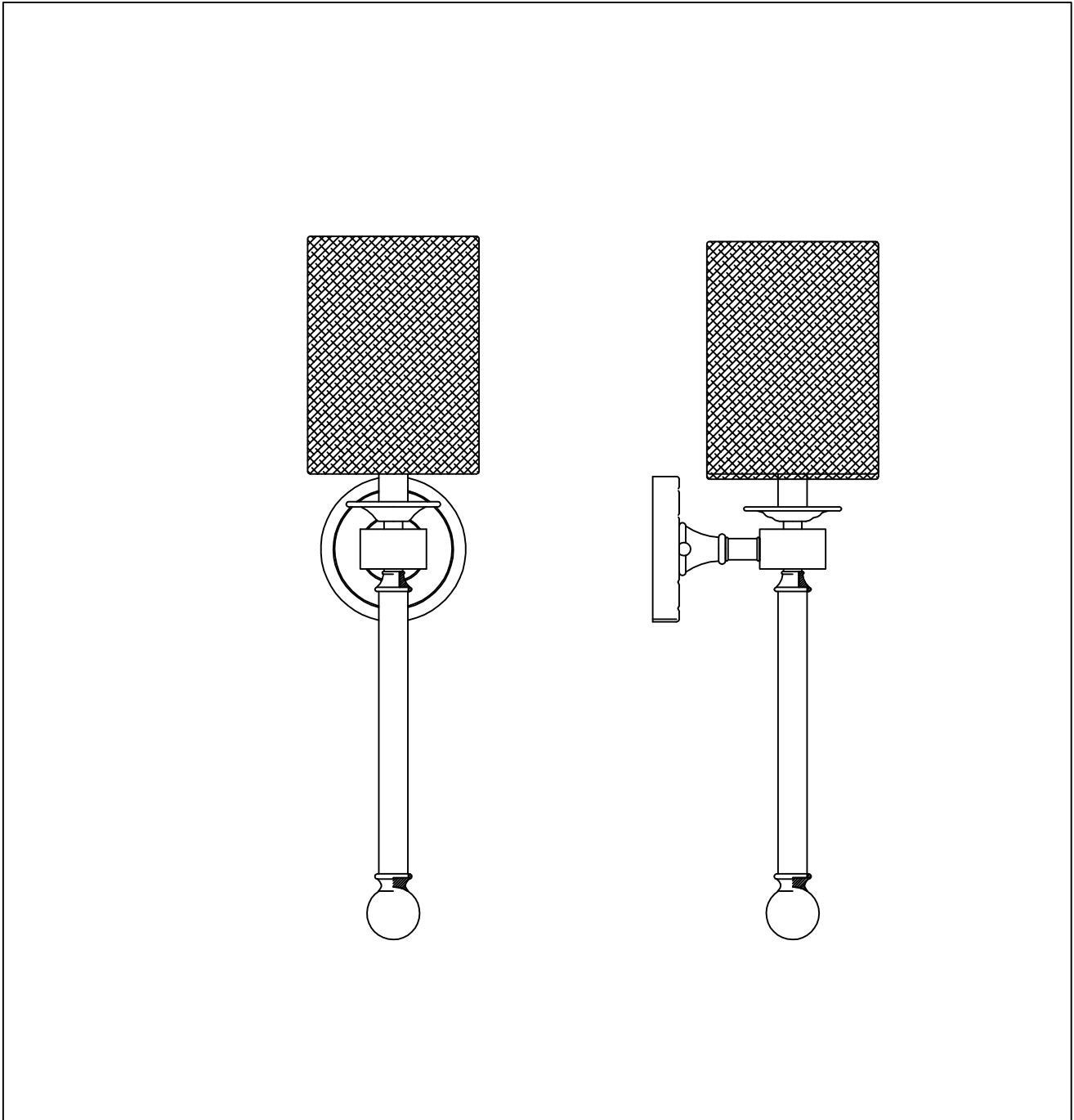


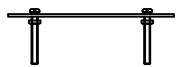
PRODUCT NAME: Lucent 1LT Wall Sconce  
NUMBER: 16109

Please consult your electrician for Hang fixture and wiring.



Bulb (Not included) : 1\*CA 60W

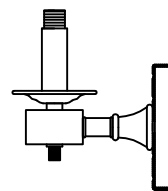
**IMPORTANT:** Turn off power at the main fuse or circuit breaker box before starting installation



(A) Bracket

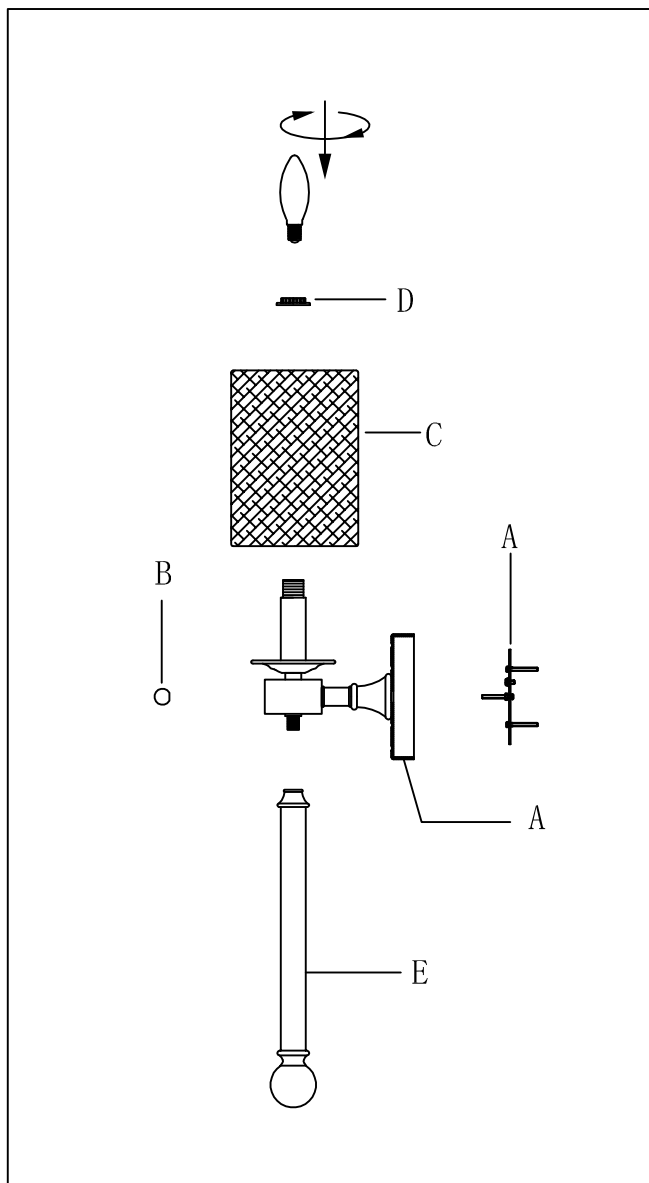


(B) Ball nut

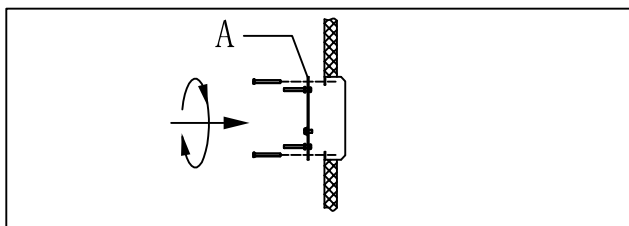


(C) Body&Socket

Locate all hardware & components before discarding packaging

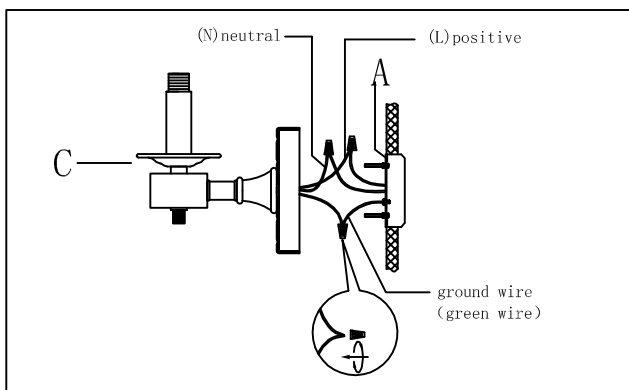


1.)



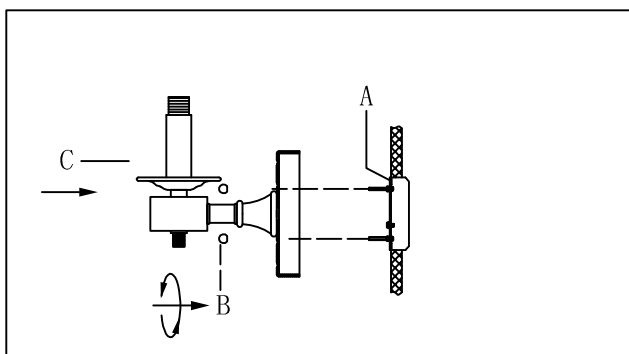
**Step. 1:** Remove mounting bracket (A) from fixture and install to electrical box.

2.)



**Step. 2:** Wire fixture to wires in outlet box. Copper/Green wire is for Ground.

3.)

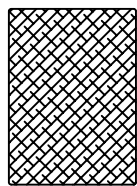


**Step. 3:** Install fixture to bracket (A) and tighten ball nuts (B) on the backplate to secure.

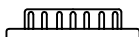
**Cleaning & Care:**

Clean with soft cloth and a mild detergent.  
Do not use abrasive cleaner.

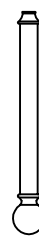
**IMPORTANT:** Turn off power at the main fuse or circuit breaker box before starting installation



(D) Fabric shade

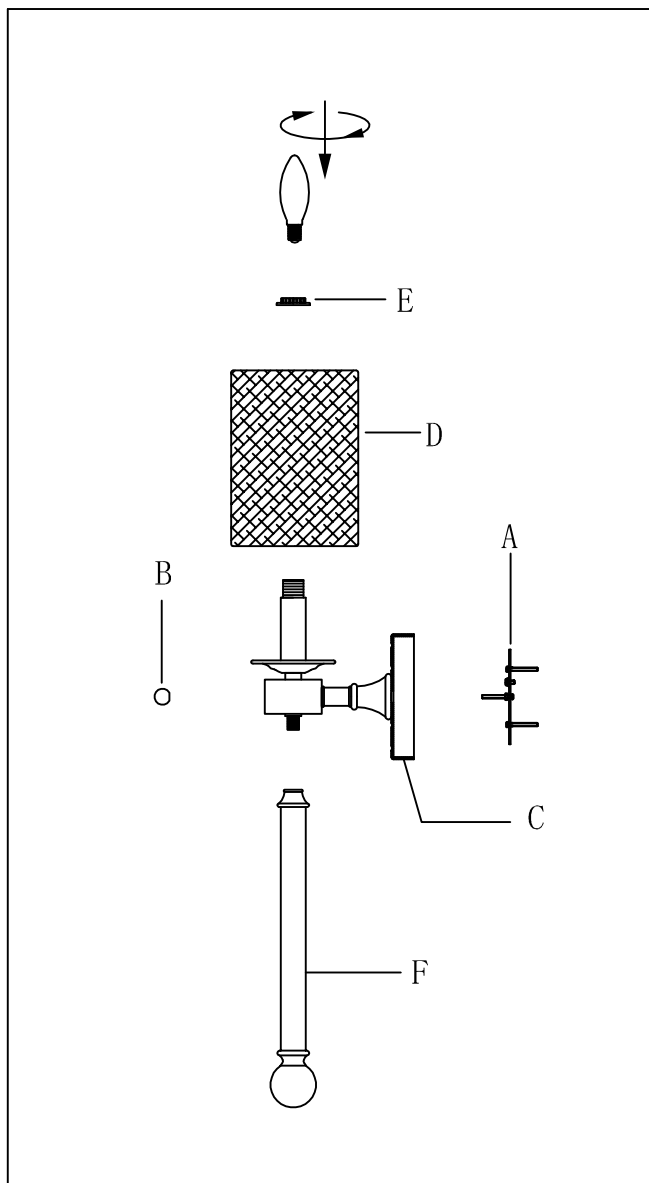


(E) Socket ring

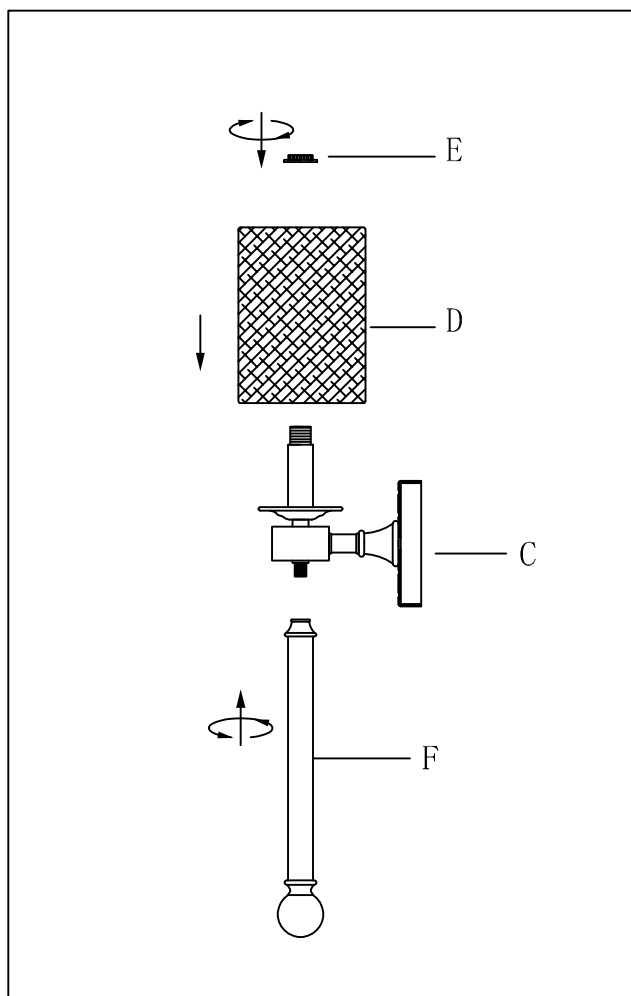


(F) Part

Locate all hardware & components before discarding packaging



4.)



**Step. 4:** Use the Socket ring (E) to lock fabric shade (D) onto the fixture (C). Attach glass rod (F) on the fixture.

**Cleaning & Care:**

Clean with soft cloth and a mild detergent.  
Do not use abrasive cleaner.