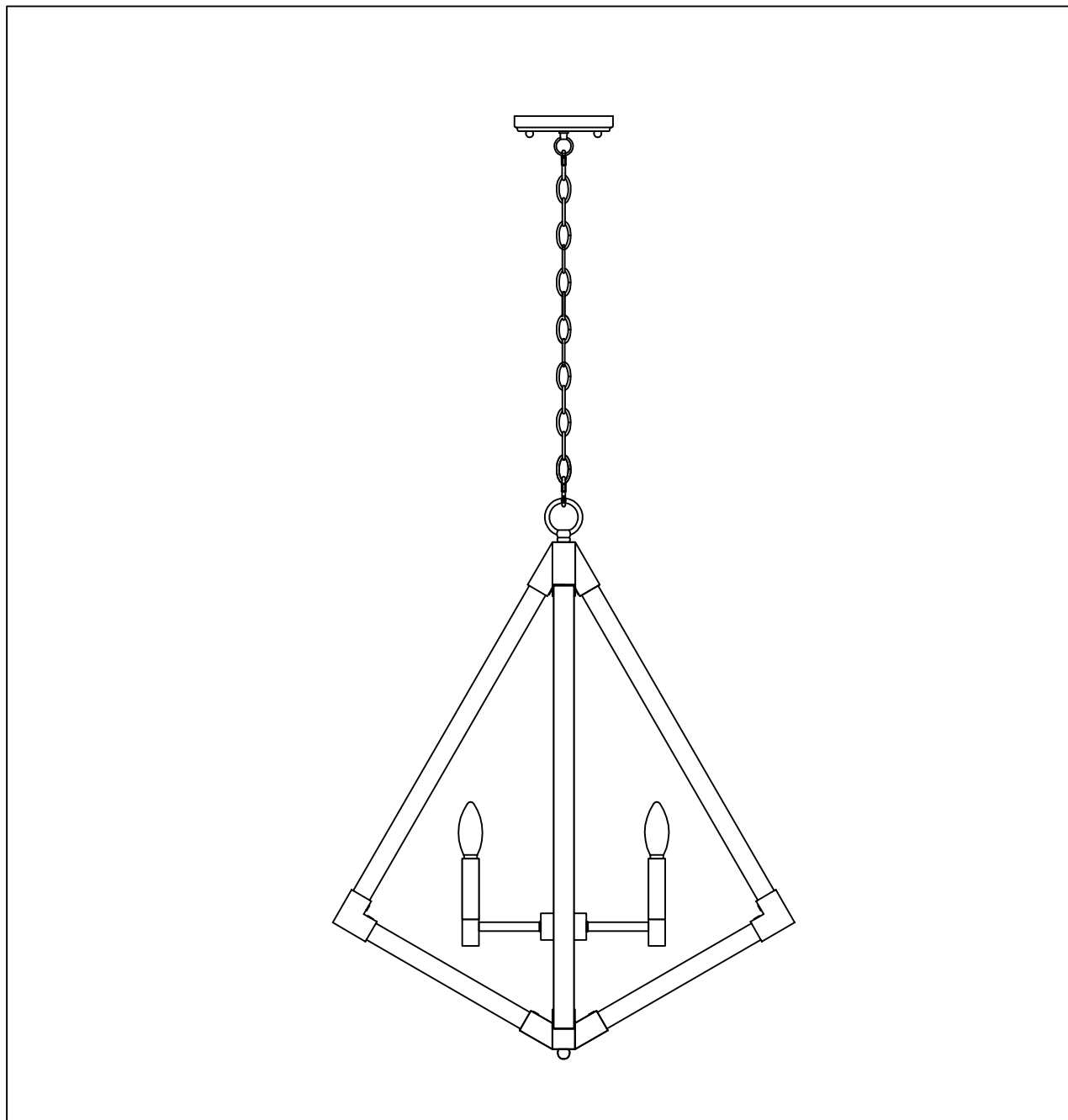




**PRODUCT NAME: Vector 4LT Pendant**  
**ITEM NUMBER: 12254WOAB**

Please consult your electrician for Hang fixture and wiring.



**Bulb(not included): 4\*CA 60W**

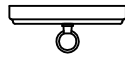
**IMPORTANT:** Turn off power at the main fuse or circuit breaker box before starting installation



(A) Bracket



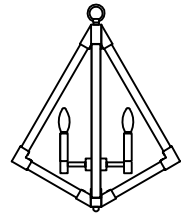
(B) Ball nut



(C) Canopy

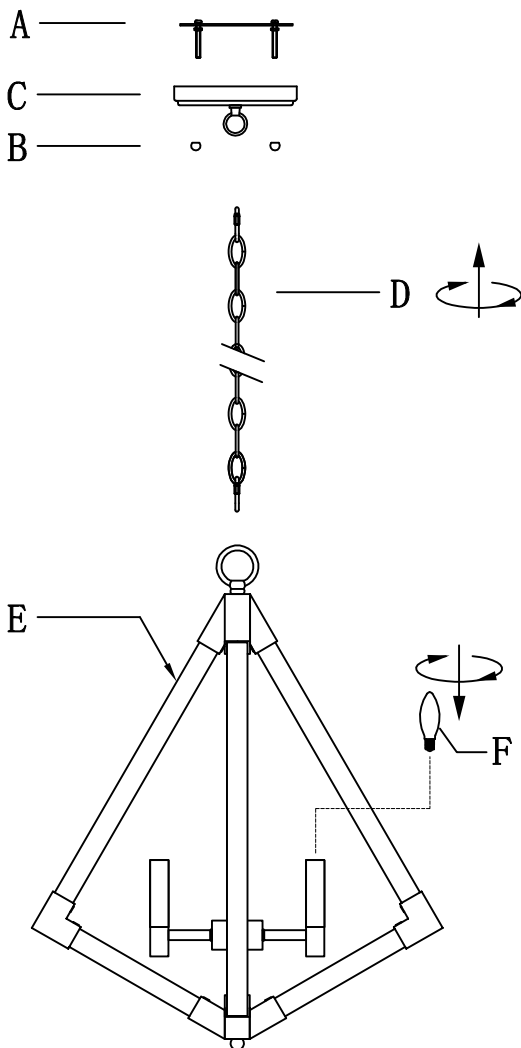


(D) Chain

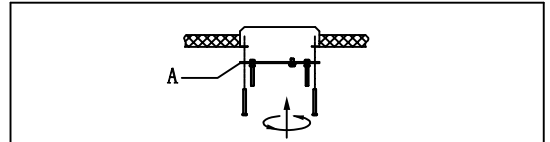


(E) Body

**Locate all hardware & components before discarding packaging**

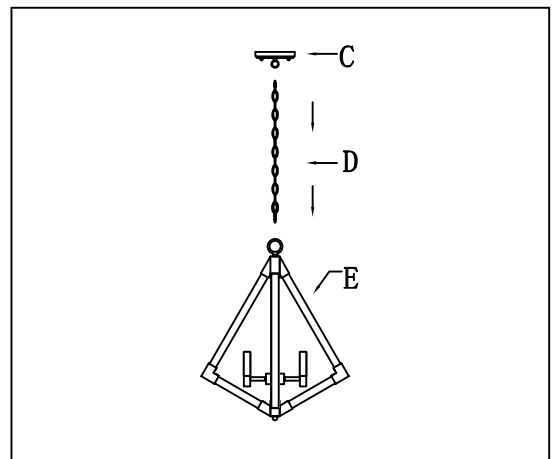


1.)



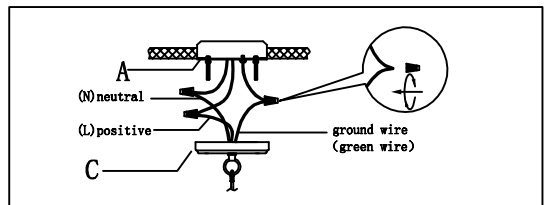
**Step. 1:** Remove mounting bracket (A) from fixture and install to electrical box.

2.)



**Step. 2:** Attach appropriate amount of chain to loop to achieve desired mounting height. Thread wire through every 3rd loop of chain.

3.)



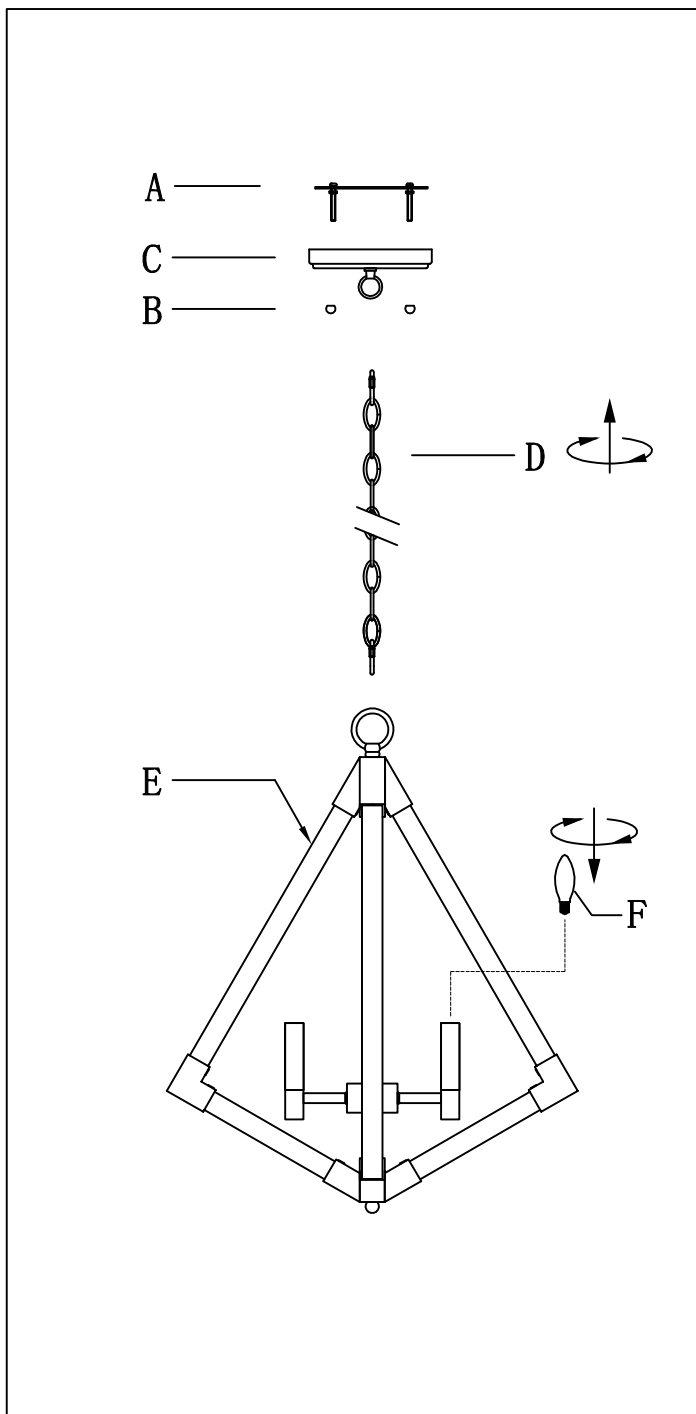
**Step. 3:** Wire fixture to wires in outlet box. Copper/Green wire is for Ground.

**Cleaning & Care:**

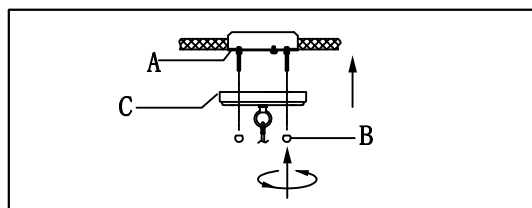
Clean with soft cloth and a mild detergent.  
Do not use abrasive cleaner.

**IMPORTANT:** Turn off power at the main fuse or circuit breaker box before starting installation

Locate all hardware & components before discarding packaging

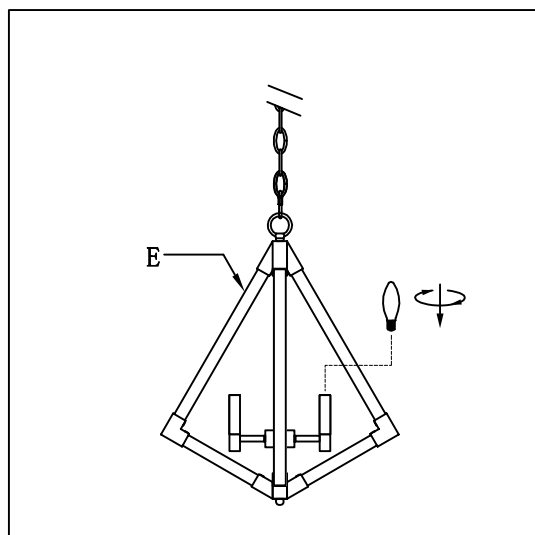


4.)



**Step. 4:** Install fixture to bracket and tighten ball nuts (B) on the canopy to secure.

5.)



**Step. 5:** Install the bulb.

**Cleaning & Care:**

Clean with soft cloth and a mild detergent.  
Do not use abrasive cleaner.