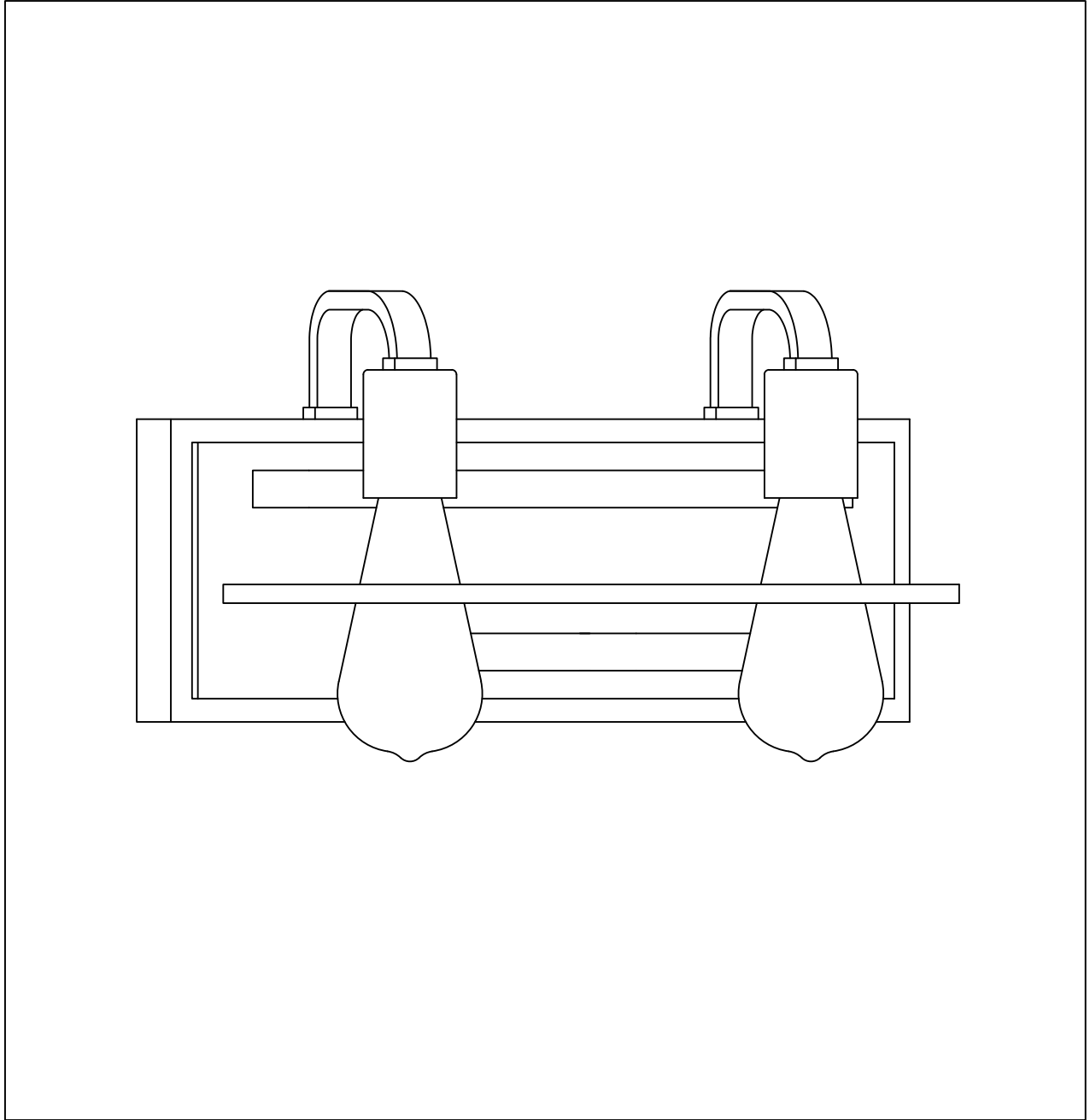




PRODUCT NAME: Black Forest 2 -Light Wall Sconce
ITEM NUMBER: 10302

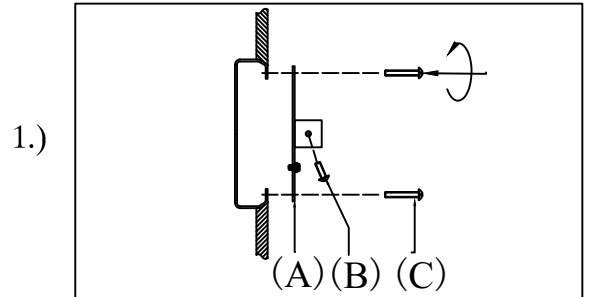
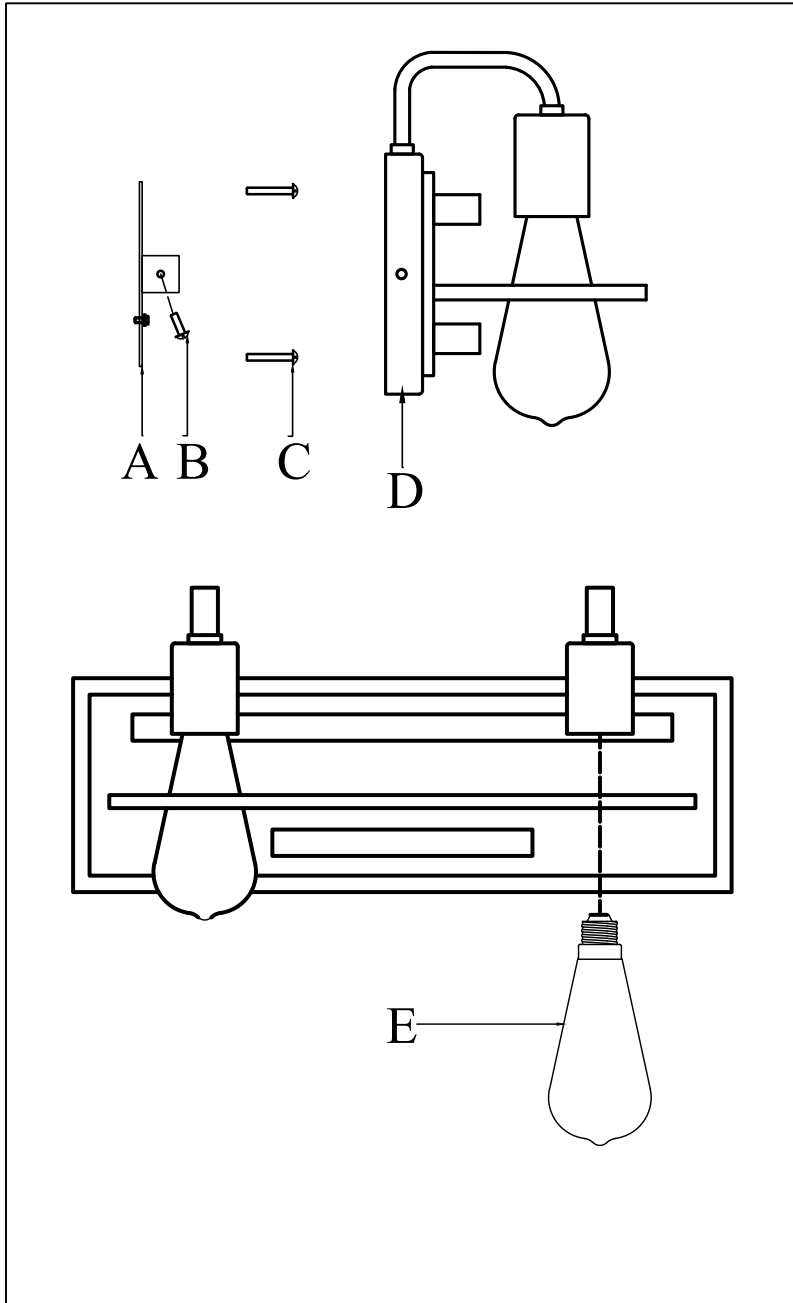


Bulbs (Not Included) : E26 2*60W ST64

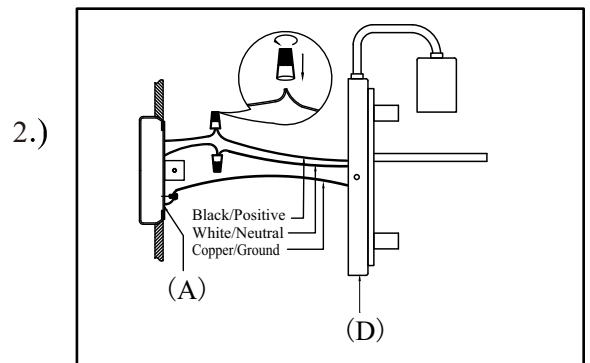
IMPORTANT: Turn off the power at the main fuse or circuit breaker box before starting installation



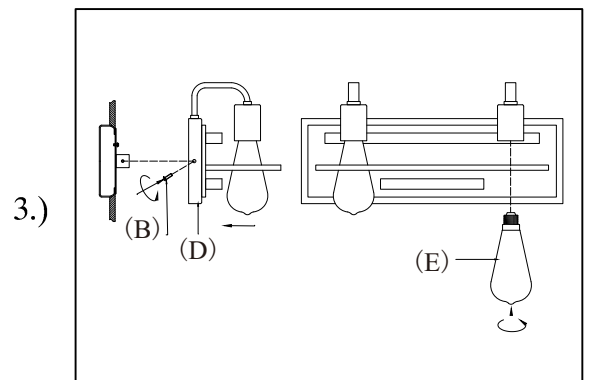
Locate all hardware & components before discarding packaging



Step1 :Remove mounting bracket from fixture and install to electrical box.



Step2 :Wire fixture to wires in outlet box.Copper wire is for Ground.



Step3 : Install lamp body to back plate using two screws on side. Install bulb into socket.

Cleaning & Care:
Clean with soft cloth and a mild detergent.
Do not use abrasive cleaner.