



D055 (Stainless)

STAR DECORATIVE BASKET STRAINER

DETAILS

Stainless Steel Construction

Specify Finish Options

Basket with Twist Nut

DRAIN SIZE

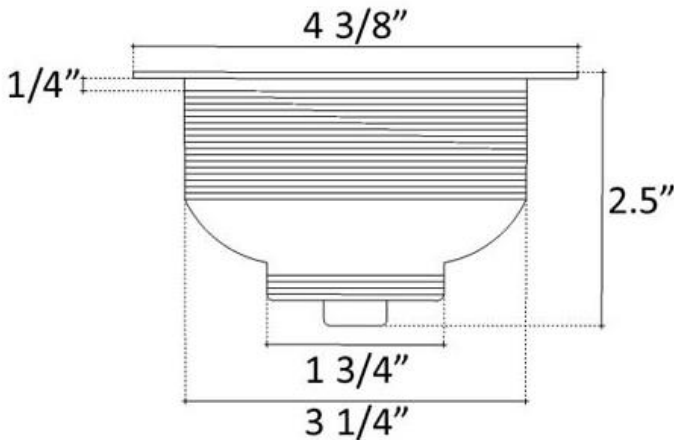
3.5" Standard Kitchen Drain, No Overflow

AVAILABLE FINISHES

Shown in PS



	PS	Polished Smooth Stainless Steel
	SS	Satin Smooth Stainless Steel
	PH	Polished Hammered Stainless Steel
	SH	Satin Hammered Stainless Steel



INSTALLATION

We recommend consulting a professional if you are unfamiliar with installing bathroom fixtures and plumbing. Linkasink accepts no liability for any damage to the floor, walls, plumbing, or personal injury during installation.

CARE

Use mild soap and water for everyday cleaning. Avoid any harsh abrasives, chemicals, and acidic cleaning products. A soft toothbrush may be used for more thorough cleaning, but be careful not to damage the plated finish. A paste wax may be applied periodically to protect the finish and help with water spotting.

WARRANTY

Linkasink warranties our product to be free from manufacturing defect for the life of the product. Warranty does not cover improper care, neglect or abuse.

DIMENSIONS WILL VARY

DO NOT use this sheet as a guide for countertop cuts. Due to the handmade nature of each product, templates are not provided.