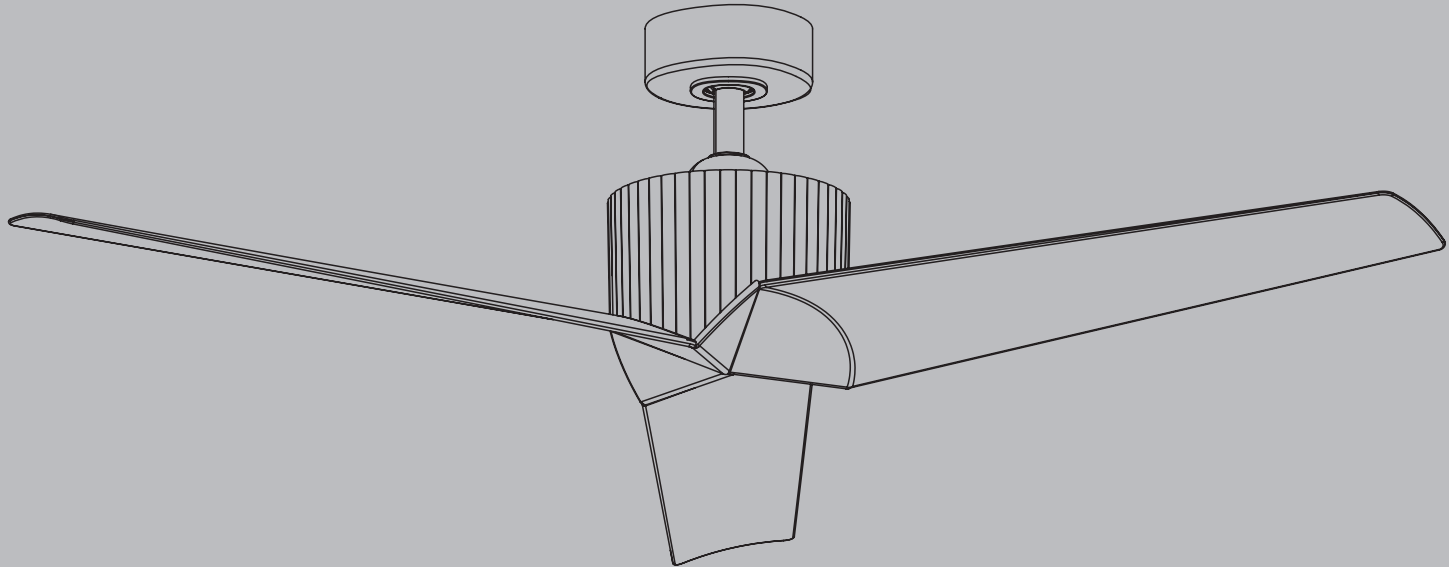


KICHLER®

56" Almere

Product images may vary slightly from actual product.



READ AND SAVE THESE INSTRUCTIONS

INSTRUCTION MANUAL
Model# 330130

TABLE OF CONTENTS

SAFETY RULES.....	3	ELECTRICAL CONNECTIONS.....	12
TOOLS REQUIRED.....	5	INSTALLING THE WALL CONTROL.....	14
PACKAGE CONTENTS.....	5	COMPLETING THE FAN INSTALLATION.....	15
MOUNTING OPTIONS.....	6	OPERATING INSTRUCTIONS.....	16
ATTACHING THE FAN BLADES.....	7	FCC INFORMATION.....	17
HANGING THE FAN.....	8	TROUBLESHOOTING.....	18
INSTALLATION OF SAFETY SUPPORT.....	11		

SAFETY RULES

READ AND SAVE THESE INSTRUCTIONS

WARNING: FOR CANADA, THIS FAN MUST BE SECURED DIRECTLY TO THE BUILDING STRUCTURE / CEILING JOIST. DON'T SECURE THIS FAN TO AN OUTLET BOX.

1. **CAUTION – RISK OF SHOCK:** Disconnect Power at the main circuit breaker panel or main fusebox before starting and during the installation.
2. **WARNING:** All wiring must be in accordance with the National Electrical Code “ANSI/NFPA 70” and local electrical codes. Electrical installation should be performed by a qualified licensed electrician.
3. **WARNING:** To reduce the risk of electric shock, this fan must be installed with a general-use, isolating wall control/switch.
4. **WARNING:** Not suitable for use with solid-state speed controls.
5. **WARNING:** To reduce the risk of fire, electric shock, or personal injury, mount to outlet box marked “acceptable for fan support of 15.9 kg (35 lbs.) or less” and use mounting screws provided with the outlet box. Most outlet boxes commonly used for the support of light fixtures are not acceptable for fan support and may need to be replaced. Due to the complexity of the installation of this fan, a qualified licensed electrician is strongly recommended.
6. The outlet box and support structure must be securely mounted and capable of reliably supporting a minimum of 15.9 kg (35 pounds). Use only cULus Listed outlet boxes marked “Acceptable for Fan Support of 15.9 kg (35 lbs) or less”.
7. The fan must be mounted with a minimum of 2.1 m (7 feet) clearance from the trailing edge of the blades to the floor.
8. **WARNING:** Do not operate reversing switch while fan blades are in motion. Fan must be turned off and blades stopped before reversing blade direction.
9. Avoid placing objects in the path of the blades.
10. **WARNING:** make sure the power is disconnected before cleaning your fan.

SAFETY RULES

11. To avoid personal injury or damage to the fan and other items, be cautious when working around or cleaning the fan.
12. Do not use water or detergents when cleaning the fan or fan blades. A dry dust cloth or lightly dampened cloth will be suitable for most cleaning.
13. After making electrical connections, spliced conductors should be turned upward and pushed carefully up into outlet box. The wires should be spread apart with the grounded conductor and the equipment-grounding conductor on one side of the outlet box and the ungrounded conductor on the other side of the outlet box.
14. Electrical diagrams are reference only. Light kits that are not packed with the fan must be cULus Listed and marked suitable for use with the model fan you are installing. Switches must be cULus General Use Switches. Refer to the Instructions packaged with the light kits and switches for proper assembly.
15. All set screws must be checked, and retightened where necessary, before installation.

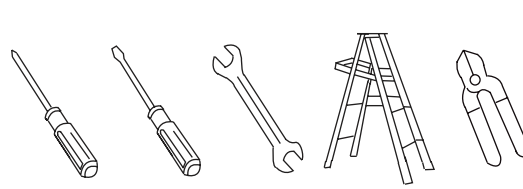
16. N.W. 7.82 KGS (17.24 LBS) / G.W. 8.75 KGS (19.29 LBS)

WARNING

TO REDUCE THE RISK OF PERSONAL INJURY, DO NOT BEND THE BLADES DURING ASSEMBLY OR AFTER INSTALLATION. DO NOT INSERT OBJECTS IN THE PATH OF THE BLADES.

TOOLS AND MATERIALS REQUIRED

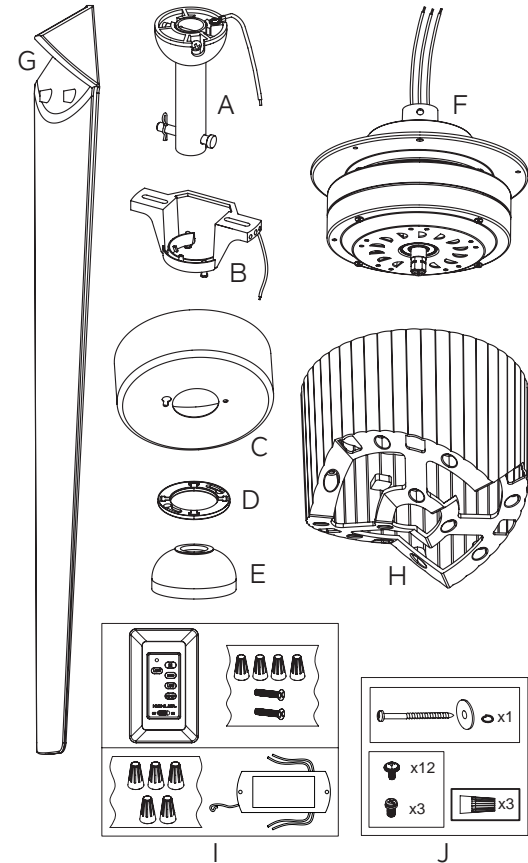
- Phillips Screwdriver
- Blade Screwdriver
- 11 mm Wrench
- Step Ladder
- Wire Cutters



PACKAGE CONTENTS

Unpack your fan and check the contents . You should have the following items:

- | | |
|--------------------------|---|
| A. Ball/Downrod Assembly | I. Wall Control Unit |
| B. Mounting Bracket | Face plate (1); Wall control (1); Receiver(1); |
| C. Canopy | Wire Connector (4+5); |
| D. Canopy Hole Cover | Long screw (2); |
| E. Coupling Cover | J. Package hardware |
| F. Motor Assembly | 1.) Safety cable hardware: Wood screw (1); |
| G. Blade (3) | Spring washer (1); Flat washer (1) |
| H. Blade Holder | 2.) Mounting hardware: Wire Connector (3); |
| | 3.) Blade attachment hardware: Screw (12); |
| | 4.) Motor Assembly attachment hardware: Screw (3) |



MOUNTING OPTIONS

If there is not an existing UL (cUL for Canadian Installation) listed mounting box, then read the following instructions. Disconnect the power by removing fuses or turning off circuit breakers.

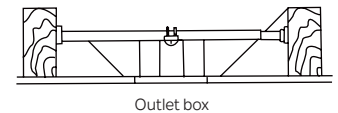
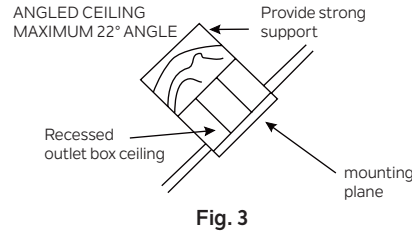
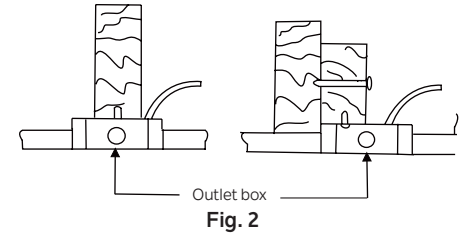
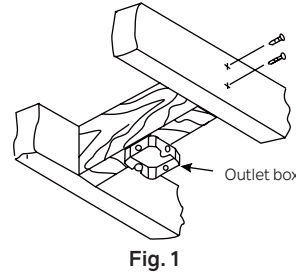
Secure the outlet box directly to the building structure. Use appropriate fasteners and building materials. The outlet box and its support must be able to fully support the full weight of the fan (up to 15.9kg (35 pounds)). Do not use plastic outlet boxes.

Figures 1, 2 and 3 are examples of different ways to mount the outlet box.

NOTE: If you are installing the ceiling fan on a sloped (vaulted) ceiling, you may need a longer downrod to maintain proper clearance between the tip of the blade and the ceiling. A minimum clearance of 12" is suggested for optimal operation.

NOTE: You must use 12" or longer downrod for 22° slope (max angle 22°). (Fig. 3)

NOTE: Depending on the location you have selected for installation, you may need to purchase and install a "Joist Hanger" for the support of the outlet box. Make sure the joist hanger you purchase has been designed for use with ceiling fans. (Fig. 4)



ATTACHING THE FAN BLADES

CAUTION: To Reduce The Risk Of Electric Shock, Disconnect The Electrical Supply Circuit To The Fan Before Installing Fan Blades.

Step 1. Align the four holes in a blade with four matching holes in the blade holder. Thread blade attachment screws into the aligned holes, and tighten screws to secure the blade to the blade holder. Repeat for remaining blades. (Fig. 5)

Step 2. NOTE: Inside of the blade holder there are six tabs. Three of the tabs have a post on top, and three of the tabs have a hole in the center.

NOTE: In the outer ring of the motor assembly there are six holes. Three of the holes are smaller in size and three of the holes are larger in size.

Carefully insert the motor assembly into the blade holder, aligning the smaller holes in the motor assembly with the posts on top of the tabs. Pass the posts through the smaller holes, and seat the outer ring of the motor assembly on top of all six tabs.

The larger holes in the motor assembly should align with the holes in the tabs. Thread the three motor assembly attachment screws into the larger holes in the motor assembly and into the holes in the tabs, and tighten to secure the motor assembly to the blade holder. (Fig. 6)

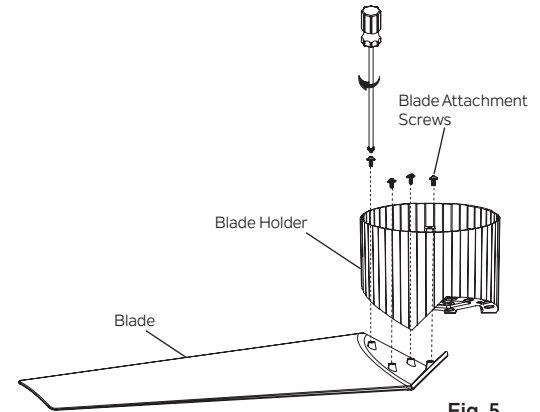


Fig. 5

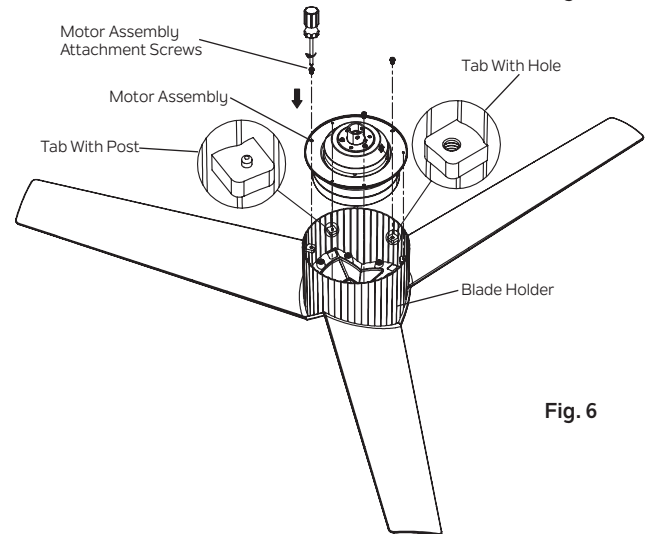


Fig. 6

HANGING THE FAN

REMEMBER to turn off the power before you begin installation. This is necessary for your safety and also the proper programming of the control system.

To properly install your ceiling fan, follow the steps below.

Step 1. Before attaching fan to outlet box (not included), ensure the outlet box is securely fastened to at least two points to a structural ceiling member (a loose box will cause the fan to wobble). Pass the 120 volt supply wires from the ceiling outlet box through the center of the ceiling mounting bracket. Install mounting bracket to outlet box in ceiling using the screws and washers included with the outlet box. (Fig. 7)

Step 2. Remove the hairpin and clevis pin from the downrod assembly, retain for later use. Remove the hanger ball from the downrod assembly by loosening set screw, removing the cross pin, and sliding ball off of the rod. (Fig. 8)

NOTE: Make sure to keep loosened hardware separate to avoid confusion during installation.

Step 3. Loosen the two set screws on the motor coupling. (Fig. 9)

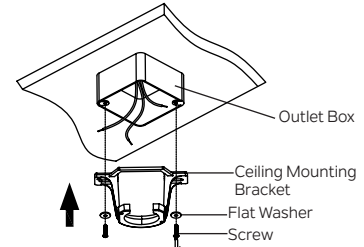


Fig. 7

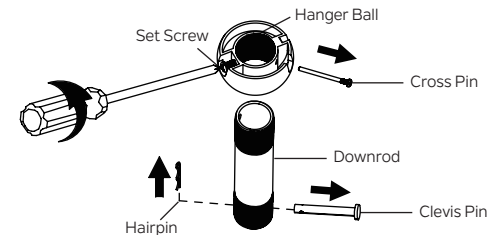


Fig. 8

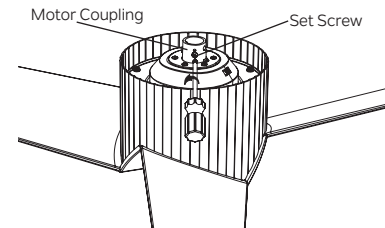


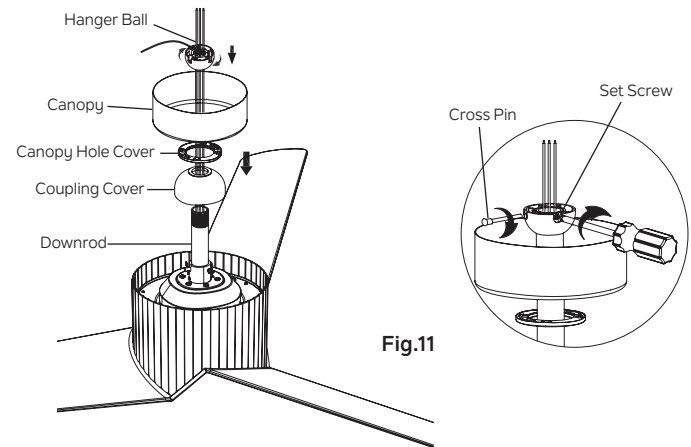
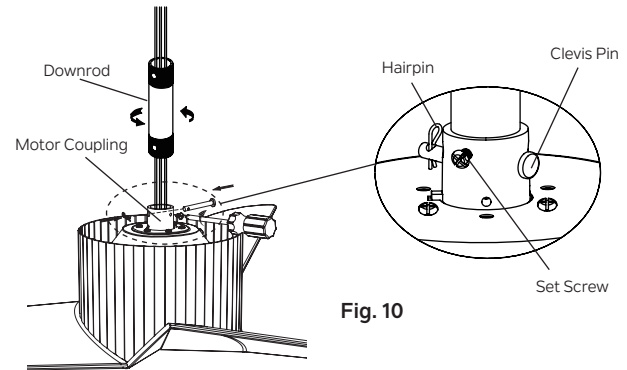
Fig. 9

HANGING THE FAN (continued)

Step 4. Carefully feed fan wires and safety cable up through the downrod. Thread the downrod onto the motor coupling until the clevis pin holes are aligned. Next, replace the clevis pin and hairpin, then tighten both set screws. (Fig. 10)

Step 5. Slip the coupling cover, canopy hole cover and canopy onto the downrod. Carefully reinstall the hanger ball onto the downrod. Make sure the cross pin is in the correct position and the set screw is tight and the wires are not twisted. (Fig. 11)

CAUTION: Ensure all screws are tight before moving to the next step.



HANGING THE FAN (continued)

Step 6. Now lift the motor assembly into position and place the hanger ball into the mounting bracket. Rotate until the “Check Tab” has dropped into the “Registration Slot” and seats firmly. (Fig. 12) The entire motor body should not rotate if this is done correctly.

WARNING: Failure to properly seat the “Check Tab” can damage the ceiling fan during operation.

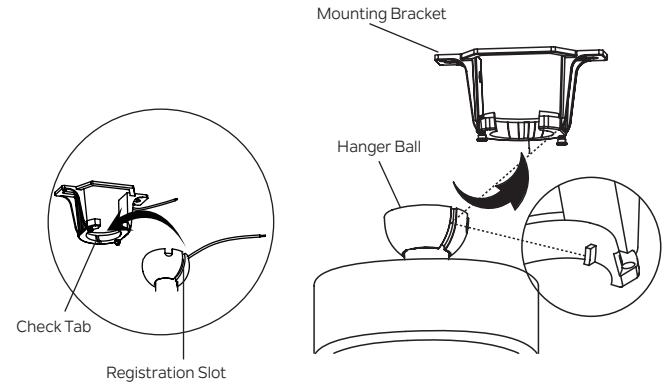


Fig. 12

INSTALLATION OF SAFETY SUPPORT (required for Canadian installation ONLY)

A safety support cable is provided to help prevent the ceiling fan from falling, please install it as follows.

Step 1. Drive a wood screw and washers into the side of the brace that holds the outlet box. Leave 3mm (1/8") of space between the support brace and the washer. (Fig. 13)

Step 2. Insert the safety cable through the mounting bracket and one of the holes in the outlet box into the ceiling. Adjust the length of the safety cable to reach the screw and washers by pulling the extra cable through the cable clamp until the overall length is correct, put the end of the cable back through the cable clamp, forming a loop at the end of the cable. Tighten the cable clamp securely. Now, put the loop in the end of the safety cable over the wood screw and under the washer. Tighten the wood screw securely. (Fig. 14)

NOTE: Although the safety support cable is required for Canadian installations only, it's a good idea to make the attachment with any installation.

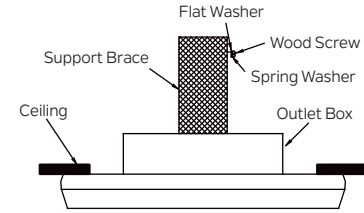


Fig. 13

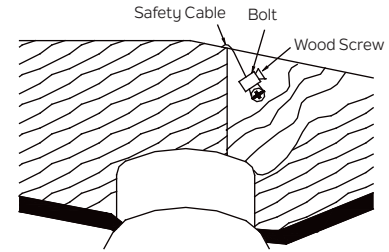


Fig. 14

ELECTRICAL CONNECTIONS

WARNING: To avoid possible electrical shock, be sure you have turned off the power at the main circuit panel before wiring.

Follow the steps below to connect the fan to your household wiring. Use the wire connectors supplied with your fan. Secure the connector with electrical tape. Make sure there are no loose wire stands or connections.

WARNING: If your house wires are different colors than referenced in this manual, stop immediately. A professional electrician is recommended to determine proper wiring.

Step 1. Insert the receiver into the mounting bracket, with the flat side facing up toward the ceiling. (Fig. 15)

Step 2. Connect wires using the connectors as shown in WIRE DIAGRAM. (Fig.16)

WARNING: Check to see that all connections are tight, including ground, and that no bare wire is visible at the wire connections.

Step 3. After the connections have been made, they should be turned upward and pushed carefully up into the outlet box. The wires should be spread apart with the grounded conductor (white wires) and the equipment-grounding conductor (green or bare copper wires) on one side of the outlet box and the ungrounded conductor (black wires) on the other side of the outlet box.

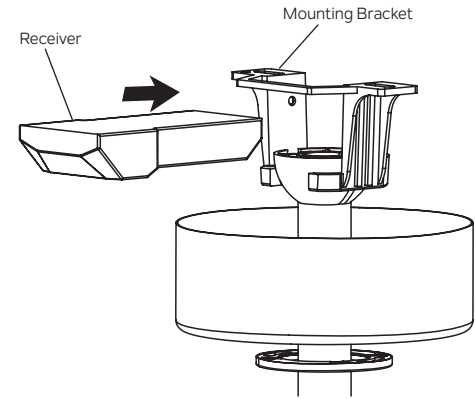


Fig. 15

WIRE DIAGRAM

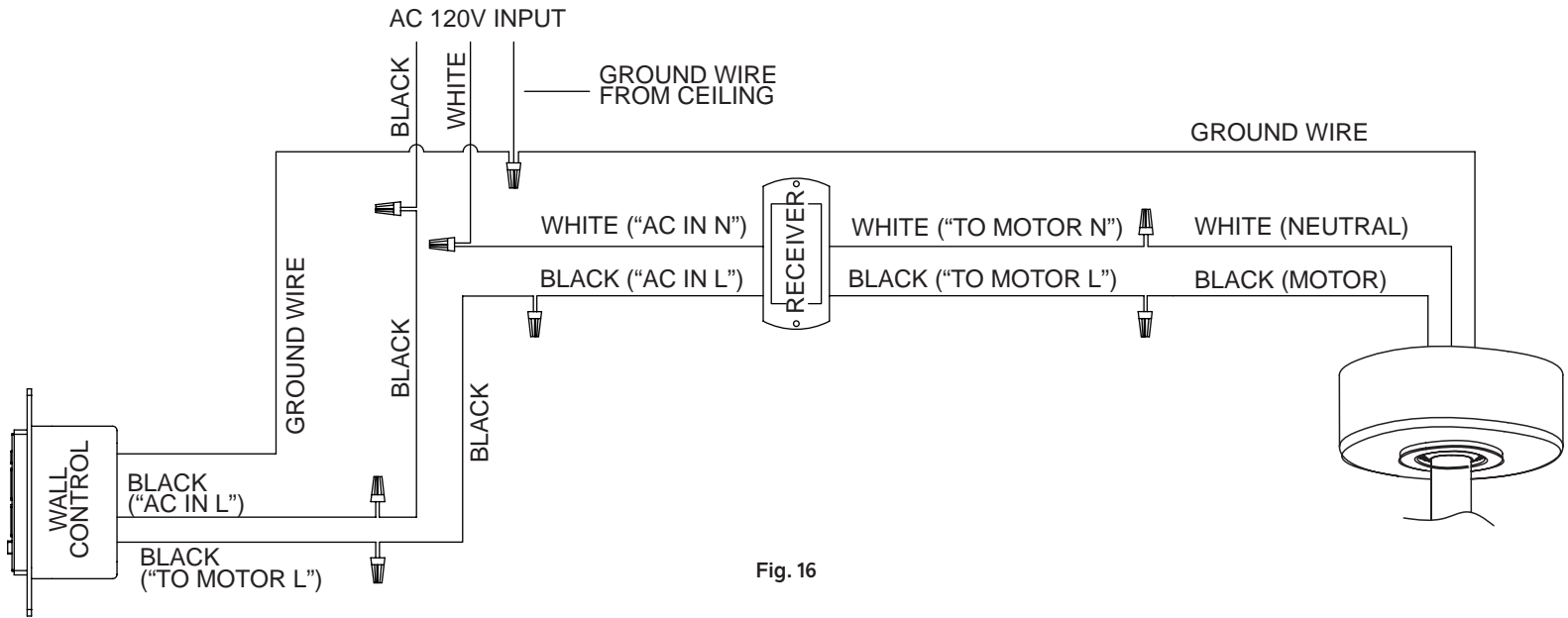


Fig. 16

INSTALLING THE WALL CONTROL

WARNING: All wiring must be in accordance with the National Electrical Code and local electrical codes. Electrical installation should be performed by a qualified licensed electrician.

NOTE: SWITCH INSTALLATION MUST COMPLY WITH ALL LOCAL AND NATIONAL ELECTRIC CODE.

WARNING: Shut off main power at the circuit breaker or fuse panel before continuing.

Step 1. Remove the existing wall plate and the old switch from the wall outlet box. Disconnect wires. (Fig. 17)

Step 2. Connect the outlet box wires to the wall control wires, using the wire connectors provided. (Fig. 18)

*Connect the lead wire (HOT) from the outlet box to BLACK wire marked "AC IN L" from wall control.

*Connect the lead wire (LOAD) from the outlet box to BLACK wire marked "TO MOTOR L" from wall control.

*Connect the GROUND from the outlet box to GROUND from wall control.

Step 3. Secure the wires connectors and make sure there are no loose strands or connections. Carefully tuck wire connections back inside outlet box and secure the wall control to outlet box with screws provided. Snap the face plate in place on the front of the wall control.

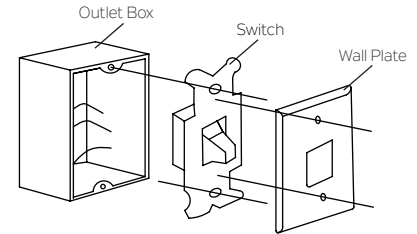


Fig. 17

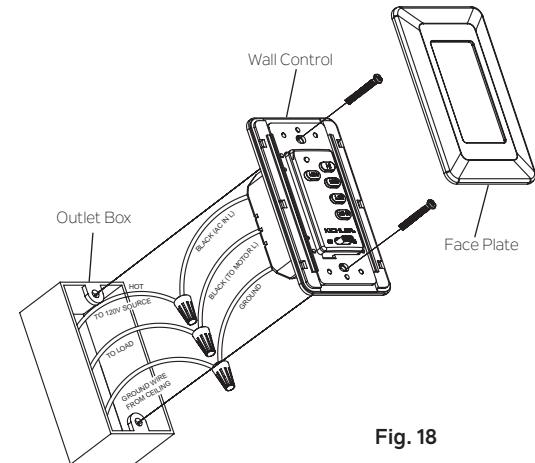


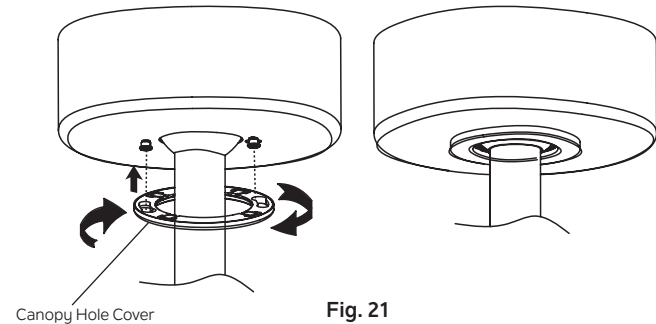
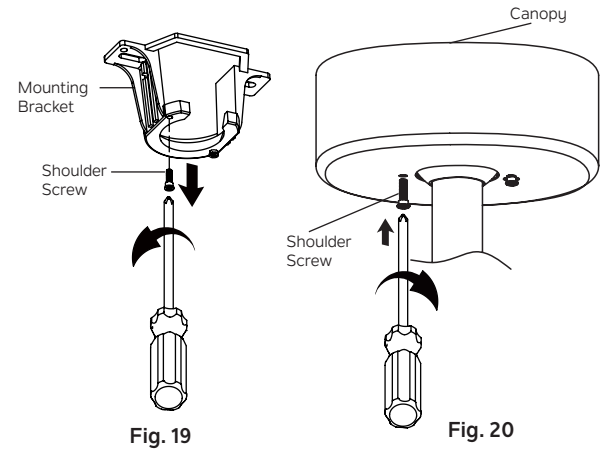
Fig. 18

COMPLETING THE FAN INSTALLATION

Step 1. Remove one of the two shoulder screws in the mounting bracket. Loosen the second shoulder screw without fully removing it. (Fig. 19)

Step 2. Assemble canopy by rotating key slot in canopy over shoulder screw in mounting bracket. Reinstall the shoulder screw that was previously removed, then retighten two shoulder screws securely. (Fig. 20)

Step 3. Securely attach and tighten the canopy hole cover over the shoulder screws in the mounting bracket utilizing the keyslot twist-lock feature. (Fig. 21)



OPERATING INSTRUCTIONS

ACTIVATING THE LEARNING PROCESS

NOTE: The control system for this fan is equipped with a learning frequency function which has 56K code combinations to prevent potential interference from other remote units. The frequency on your receiver and wall control unit has been preset at the factory. No frequency change is necessary. If the fan is non-functional or if you desire to install another fan within the same area with a separate frequency code, follow the instructions below.

1. Use a small flat screw driver and gently pry the faceplate apart from the top of wall control. (Fig. 22)
2. After installation is complete, press and hold the LEARN button for 3 seconds within 30 seconds after AC power is turned on. Fan will turn on at medium speed and light (if installed) will turn on. This confirms that the SMART SYNC setting is active and OK.
3. If you cannot finish the setting within the 30 seconds time frame, the main power must be turned off and re-started again. This will repeat step 1 until the LEARN feature is activated as indicated.

LIGHT FUNCTION SELECTION SWITCH (Fig. 22)

D means “Dimmer”

O means “only on/off, no dimmer”

The light of this fan is dimmable, it has been set to “D” position at factory. If you want the light to be only ON/OFF, slide the switch to “O” position.

NOTE: The “LIGHT FUNCTION SELECTION SWITCH” is N/A for this fan. This fan does not include a light kit or lamps.

WALL CONTROL OPERATION (Fig. 23)

ON/OFF: Active and lock the wall control

HI: High speed

MED: Medium speed

LOW: Low speed

FAN OFF: Turn off the fan

LIGHT: Turn light ON or OFF. Press and hold the button to set desired brightness.

NOTE: The “LIGHT” button is N/A for this fan. This fan does not include a light kit or lamps.

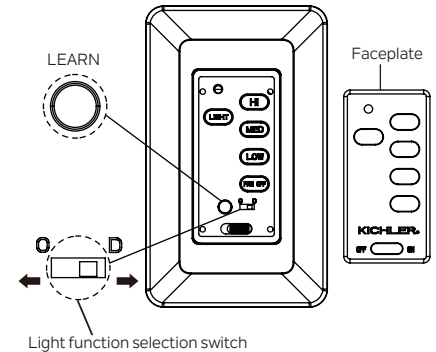


Fig. 22

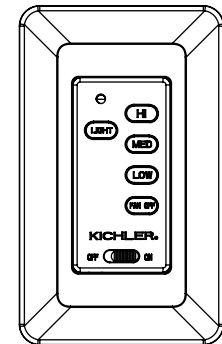


Fig. 23

REVERSE FUNCTION

To operate the reverse function on this fan, slide the reverse switch (Fig.24) to the opposite position.

WARNING: Do not operate reversing switch while fan blades are in motion. Fan must be turned off and blades stopped before reversing blade direction.

Warm Weather Operation: Forward (counter clockwise). A downward airflow creates a cooling effect (Fig.25). This allows you to set your air conditioner on a warmer setting without affecting your general comfort.

Cool Weather Operation: Reverse (clockwise). An upward airflow moves warm air off of the ceiling (Fig. 26). This allows you to set your heating unit on a cooler setting without affecting your general comfort.

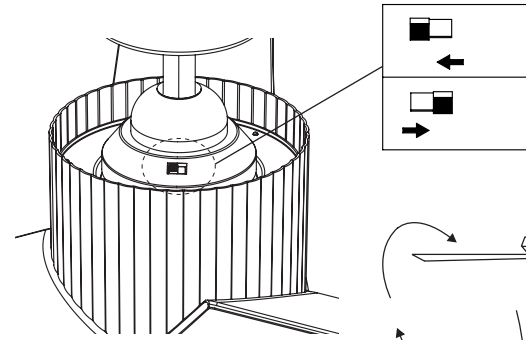


Fig.24

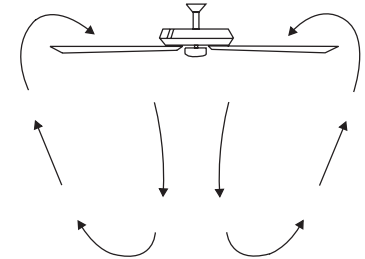


Fig.25

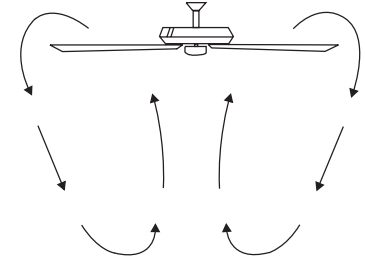


Fig. 26

FCC Information

This device complies with part 15 of the FCC Rules. Operation is subject to the following two conditions:

- 1.) This device may not cause harmful interference, and
- 2.) This device must accept any interference received, including interference that may cause undesired operation.

Note: This equipment has been tested and found to comply with the limits for a Class B digital device, pursuant to part 15 of the FCC Rules. These limits are designed to provide reasonable protection against harmful interference in a residential installation. This equipment generates, uses and can radiate radio frequency energy and, if not installed and used in accordance with the instructions, may cause harmful interference to radio communications. However, there is no guarantee that interference will not occur in a particular installation. If this equipment does cause harmful interference to radio or television reception, which can be determined by turning the equipment off and on, the user is encouraged to try to correct the interference by one or more of the following measures:

- Reorient or relocate the receiving antenna.
- Increase the separation between the equipment and receiver.
- Connect the equipment into an outlet on a circuit different from that to which the receiver is connected.
- Consult the dealer or an experienced radio/TV technician or help.

TROUBLESHOOTING

Problem	Solution
Fan will not start.	<ol style="list-style-type: none">1. Check circuit fuses or breakers.2. Check all electrical connections to ensure proper contact. <p>CAUTION: Make sure the main power is OFF when checking any electrical connection.</p>
Fan sounds noisy.	<ol style="list-style-type: none">1. Make sure all motor housing screws are snug.2. Make sure the screws that attach the fan blade brackets to the motor are tight.3. Make sure wire nut connections are not rubbing against each other or the interior wall of the switch housing. <p>CAUTION: Make sure main power is off.</p> <ol style="list-style-type: none">4. Allow a 24-hour "breaking-in" period. Most noise associated with a new fan disappears during this time.5. If using an optional light kit, make sure the screws securing the glassware are tight. Make sure the light bulbs are not touching any other component.6. Do not connect this fan to a wall mounted variable speed control(s). They are not compatible with ceiling fan motors or remote controls.7. Make sure the upper canopy has a short distance from the ceiling. It should not touch the ceiling.
Fan wobble.	<ol style="list-style-type: none">1. Check that all blade and blade arm screws are secure.2. Most fan wobbling problems are caused when blade levels are unequal. Check this level by selecting a point on the ceiling above the tip of one of the blades. Measure this distance. Rotate the fan until the next blade is positioned for measurement. Repeat for each blade. The distance deviation should be equal within 1/8".3. If the blade wobble is still noticeable, interchanging two adjacent (side by side) blades can redistribute the weight and possibly result in smoother operation.
Remote control malfunction.	<ol style="list-style-type: none">1. Ceiling Fans with remote control systems CAN NOT be operated in conjunction with any other control system EXCEPT a basic On/off wall switch, if desired.

KICHLER®

www.kichler.com

KICHLER LIGHTING LLC

30455 SOLON RD.

SOLON, OH 44139 USA

CUSTOMER SERVICE 866.558.5706

8:00 AM TO 5:00 PM EST, MONDAY - FRIDAY

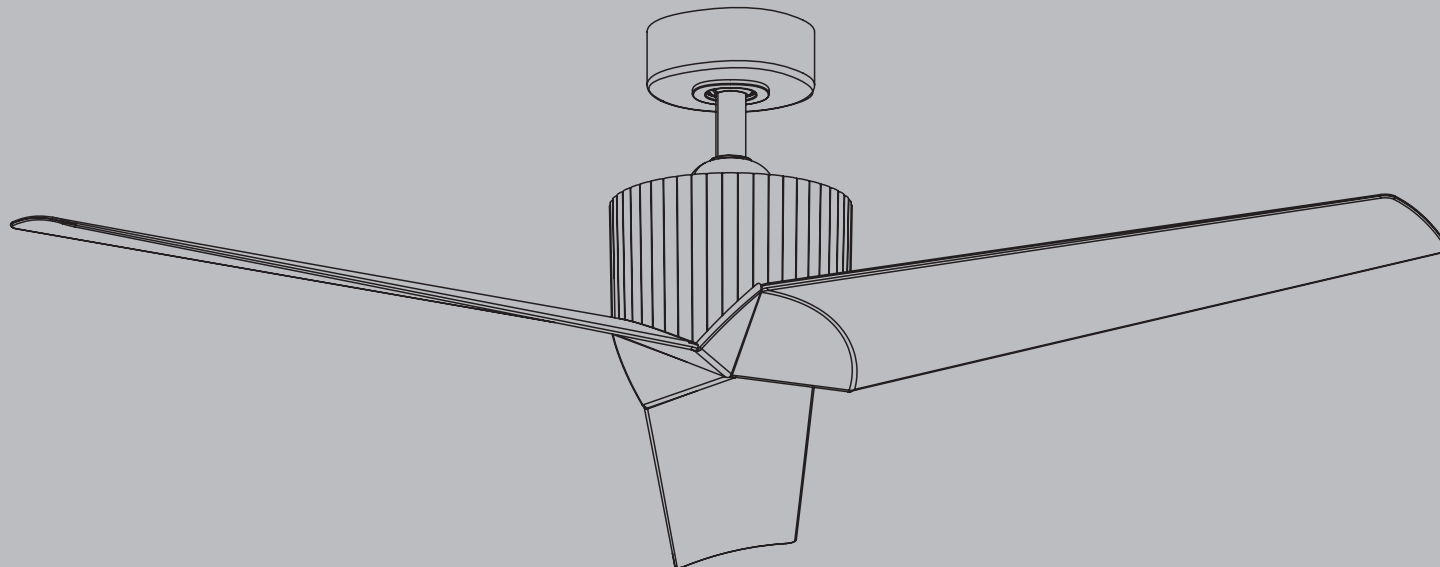
REV. 02-10-2023

© Kichler Lighting LLC. All Rights Reserved.

KICHLER®

Almere de 56 po

Les images du produit peuvent varier légèrement par rapport au produit réel.



LISEZ ET CONSERVEZ CES INSTRUCTIONS

MANUEL D'INSTRUCTIONS
Modèle n° 330130

TABLE DES MATIÈRES

RÈGLES DE SÉCURITÉ.....	3	RACCORDEMENTS ÉLECTRIQUES.....	12
OUTILS NÉCESSAIRES.....	5	INSTALLATION DE LA COMMANDE MURALE.....	14
CONTENU DU COLIS.....	5	TERMINER L'INSTALLATION DU VENTILATEUR.....	15
OPTIONS DE MONTAGE.....	6	INSTRUCTIONS D'UTILISATION.....	16
FIXATION DES PALES DU VENTILATEUR.....	7	INFORMATIONS FCC.....	17
SUSPENDRE LE VENTILATEUR.....	8	DÉPANNAGE.....	18
INSTALLATION DU SUPPORT DE SÉCURITÉ.....	11		

RÈGLES DE SÉCURITÉ

LISEZ ET CONSERVEZ CES INSTRUCTIONS

AVERTISSEMENT : POUR LE CANADA, CE VENTILATEUR DOIT ÊTRE FIXÉ DIRECTEMENT À LA STRUCTURE DU BÂTIMENT OU À LA SOLIVE DE PLAFOND. NE PAS FIXER CE VENTILATEUR À UNE BOÎTE DE SORTIE.

- 1. ATTENTION – RISQUE DE CHOC ÉLECTRIQUE :**
Débranchez l'alimentation au panneau du disjoncteur principal ou à la boîte à fusibles principale avant de démarrer et pendant l'installation.
- 2. AVERTISSEMENT :** Tout le câblage doit être conforme au National Electrical Code « ANSI/NFPA 70 » et aux codes électriques locaux. L'installation électrique doit être effectuée par un électricien qualifié et agréé.
- 3. AVERTISSEMENT :** Pour réduire le risque d'électrocution, ce ventilateur doit être installé avec une commande/un interrupteur mural isolant à usage général.
- 4. AVERTISSEMENT :** Ne convient pas à une utilisation avec des commandes de vitesse à semi-conducteurs.
- 5. AVERTISSEMENT :** Pour réduire le risque d'incendie, d'électrocution ou de blessure corporelle, installez l'appareil sur une boîte de sortie portant la mention « acceptable pour soutenir un ventilateur de 15,9 kg (35 lb) ou moins ». Utilisez les vis de montage livrées avec la boîte de sortie. Il faudra probablement remplacer la boîte de sortie, car la plupart des boîtes de sortie utilisées pour soutenir des appareils d'éclairage ne sont pas acceptables pour soutenir un ventilateur. En raison de la complexité de l'installation de ce ventilateur, un électricien agréé qualifié est fortement recommandé.
- 6. La boîte de sortie et la structure de support doivent être solidement fixées et capables de supporter de manière fiable un minimum de 15,9 kg (35 lb). N'utiliser que des boîtes de sortie homologuées cULus portant la mention « Acceptable pour le support de ventilateur de 15,9 kg (35 lb) ou moins ».**
- 7. Le ventilateur doit être monté avec un dégagement minimum de 2,1 m (7 pieds) entre le bord de fuite des pales et le sol.**
- 8. AVERTISSEMENT :** N'actionnez pas l'inverseur lorsque les pales du ventilateur sont en mouvement. Le ventilateur doit être éteint et les pales arrêtées avant d'inverser le sens des pales.
- 9. Évitez de placer des objets sur la trajectoire des pales.**
- 10. AVERTISSEMENT :** assurez-vous que l'alimentation est coupée avant de nettoyer votre ventilateur.

RÈGLES DE SÉCURITÉ

11. Pour éviter des blessures corporelles ou des dommages au ventilateur et à d'autres éléments, soyez prudent lorsque vous travaillez autour ou nettoyez le ventilateur.
12. N'utilisez pas d'eau ou de détergents pour nettoyer le ventilateur ou les pales du ventilateur. Un chiffon sec à poussière ou un chiffon légèrement humide conviendra pour la plupart des nettoyages.
13. Après avoir effectué les raccordements électriques, les conducteurs raccordés doivent être tournés vers le haut et poussés avec précaution dans le boîtier de sortie. Les fils doivent être écartés avec le conducteur mis à la terre et le conducteur de mise à la terre de l'équipement d'un côté de la boîte de sortie et le conducteur non mis à la terre de l'autre côté de la boîte de sortie.
14. Les schémas électriques sont fournis à titre indicatif uniquement. Les ensembles d'éclairage qui ne sont pas fournis avec le ventilateur doivent être répertoriés et marqués cULus pour une utilisation avec le modèle de ventilateur que vous installez. Les commutateurs doivent être des commutateurs cULus à usage général. Reportez-vous aux instructions fournies avec les ensembles d'éclairage et les interrupteurs pour un assemblage correct.
15. Toutes les vis de réglage doivent être vérifiées et resserrées si nécessaire avant l'installation.

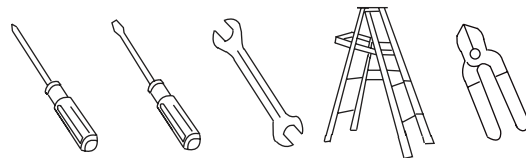
16. PDS N 7,82 KG (17,24 LB) / PDS B 8,75 KG (19,29 LB)

AVERTISSEMENT

POUR RÉDUIRE LES RISQUES DE BLESSURES CORPORELLES, NE PLIEZ PAS LES PALES PENDANT LE MONTAGE OU APRÈS L'INSTALLATION. NE PAS INSÉRER D'OBJETS SUR LE PASSAGE DES PALES.

OUTILS ET MATÉRIAUX NÉCESSAIRES

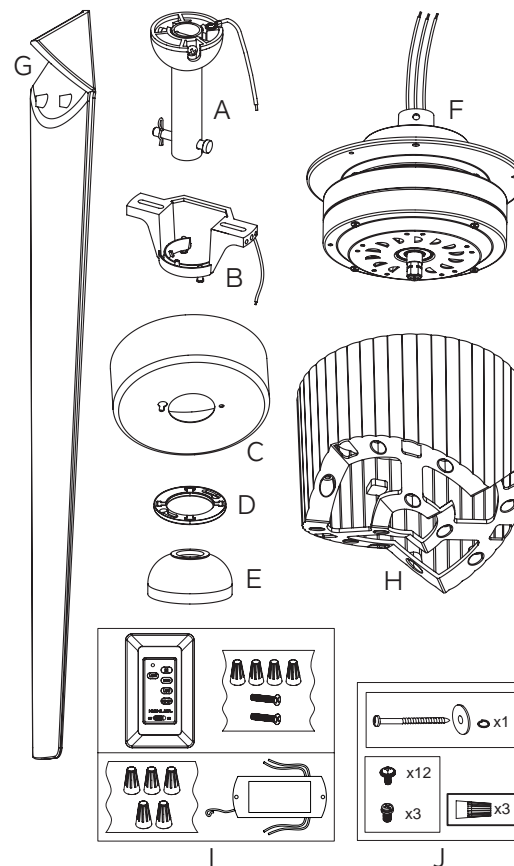
- Tournevis cruciforme
- Tournevis à lame
- Clé de 11 mm
- Escabeau
- Pincés coupantes



CONTENU DU COLIS

Déballez votre ventilateur et vérifiez le contenu. Vous devriez avoir les éléments suivants :

- | | |
|------------------------------------|--|
| A. Ensemble boule/tige descendante | I. Unité de commande murale
Plaque frontale (1); Commande murale (1);
Récepteur (1); Connecteur de fil (4+5);
Vis longue (2); |
| B. Support de montage | J. Matériel d'emballage |
| C. Monture | 1.) Matériel du câble de sécurité : Vis à bois (1);
rondelle à ressort (1); rondelle plate (1) |
| D. Couvercle du trou de l'auvent | 2.) Matériel de montage : Connecteur de fil (3); |
| E. Couvercle d'accouplement | 3.) Matériel de fixation de pale : Vis (12); |
| F. Assemblage du moteur | 4.) Matériel de fixation de l'ensemble moteur : Vis (3) |
| G. Pale (3) | |
| H. Support de pale | |



OPTIONS DE MONTAGE

S'il n'y a pas de boîtier de montage homologué UL (cUL pour installation canadienne), lisez les instructions suivantes. Débranchez l'alimentation en retirant les fusibles ou en désactivant les disjoncteurs.

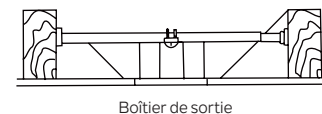
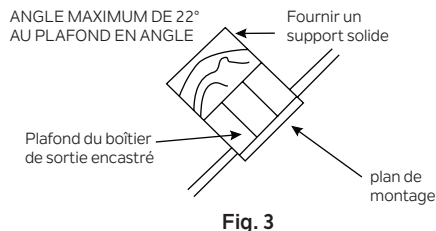
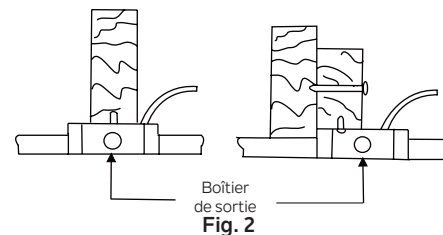
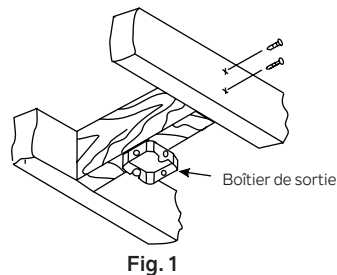
Fixez le boîtier de sortie directement à la structure du bâtiment. Utilisez des fixations et des matériaux de construction appropriés. Le boîtier de sortie et son support doivent pouvoir supporter entièrement le poids total du ventilateur (jusqu'à 15,9 kg (35 lb)). N'utilisez pas de boîtiers de sortie en plastique.

Les figures 1, 2 et 3 sont des exemples des différentes manières de monter le boîtier de sortie.

REMARQUE : Si vous installez le ventilateur de plafond sur un plafond en pente (voûté), vous aurez peut-être besoin d'une tige descendante plus longue pour maintenir un dégagement approprié entre la pointe de la pale et le plafond. Un dégagement minimum de 12 po est suggéré pour un fonctionnement optimal.

REMARQUE : Vous devez utiliser une tige descendante de 30,48 cm (12 po) ou plus pour une pente de 22° (angle maximum de 22°). (Fig. 3)

REMARQUE : Selon l'endroit que vous avez choisi pour l'installation, vous devrez peut-être acheter et installer une « suspente de solive » pour soutenir le boîtier de sortie. Assurez-vous que la suspente de solive que vous achetez a été conçu pour être utilisé avec des ventilateurs de plafond. (Fig. 4)



FIXATION DES PALES DU VENTILATEUR

ATTENTION : Pour réduire le risque de choc électrique, débranchez le circuit d'alimentation électrique du ventilateur avant d'installer les pales du ventilateur.

Étape 1. Aligner les quatre trous d'une pale avec les quatre trous correspondants du support de pale. Visser les vis de fixation de la pale dans les trous alignés et serrer les vis pour fixer la pale au support de pale. Répétez pour les pales restantes. (Fig. 5)

Étape 2. REMARQUE : Six languettes se trouvent à l'intérieur du support de pale. Trois des languettes ont une tige sur le dessus et trois des languettes ont un trou au centre.

REMARQUE : Il y a six trous dans la bague extérieure de l'ensemble moteur. Trois des trous sont de taille plus petite et trois des trous sont de taille plus grande.

Insérer soigneusement l'ensemble moteur dans le support de pale, en alignant les petits trous de l'ensemble avec les tiges sur le dessus des languettes. Faites passer les tiges à travers les plus petits trous et placez l'anneau extérieur de l'ensemble moteur sur les six languettes.

Les trous les plus grands de l'ensemble moteur doivent s'aligner avec les trous des languettes. Visser les trois vis de fixation de l'ensemble moteur dans les trous les plus grands de l'ensemble moteur et dans les trous des languettes, puis serrer pour fixer l'ensemble moteur au support de pale. (Fig. 6)

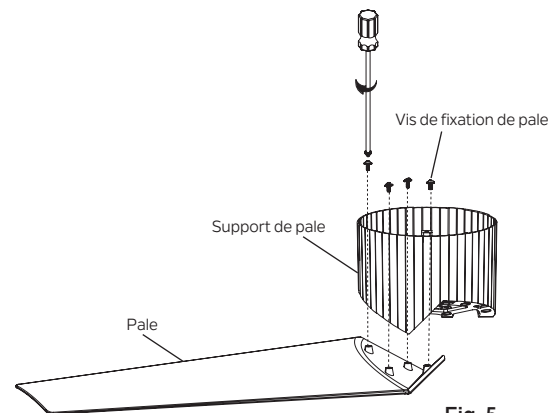


Fig. 5

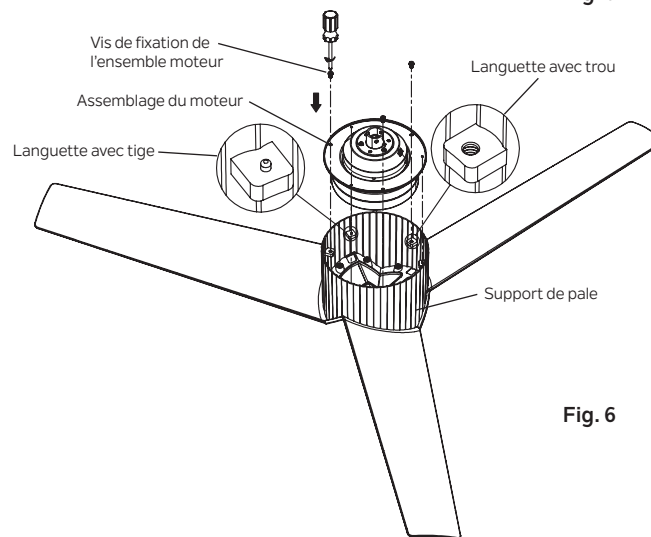


Fig. 6

SUSPENDRE LE VENTILATEUR

RAPPELEZ-VOUS de couper l'alimentation avant de commencer l'installation. Ceci est nécessaire pour votre sécurité et également pour la bonne programmation du système de commande.

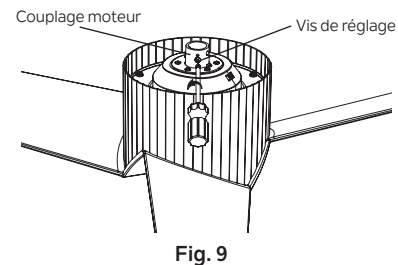
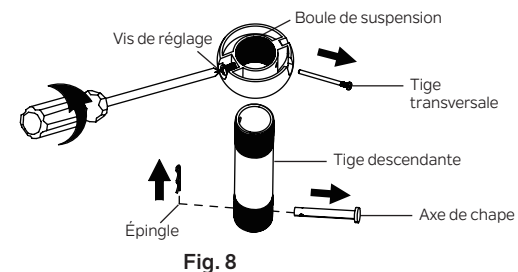
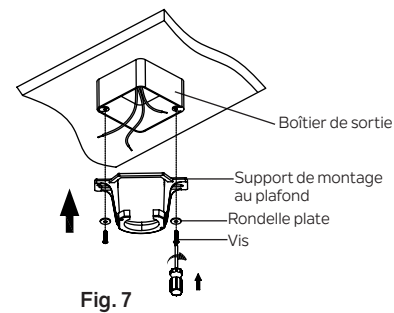
Pour installer correctement votre ventilateur de plafond, suivez les étapes ci-dessous.

Étape 1. Avant de fixer le ventilateur au boîtier de sortie (non inclus), assurez-vous que le boîtier de sortie est solidement fixé à au moins deux points à un élément du plafond structurel (un boîtier desserré fera vaciller le ventilateur). Faites passer les fils d'alimentation de 120 volts du boîtier de sortie au plafond par le centre du support de montage au plafond. Installez le support de montage sur le boîtier de sortie au plafond à l'aide des vis et rondelles fournies avec le boîtier de sortie. (Fig. 7)

Étape 2. Retirez l'épingle et l'axe de chape de l'ensemble de tige descendante, conservez-les pour une utilisation ultérieure. Retirez la boule de suspension de l'assemblage de la tige descendante en desserrant les vis de réglage, en retirant la tige transversale et en faisant glisser la boule hors de la tige. (Fig. 8)

REMARQUE : Assurez-vous de garder le matériel détaché séparément pour éviter toute confusion lors de l'installation.

Étape 3. Desserrez les deux vis de réglage sur le couplage du moteur. (Fig. 9)



SUSPENDRE LE VENTILATEUR (Suite)

Étape 4. Faites passer avec précaution les fils du ventilateur et le câble de sécurité à travers la tige descendante. Vissez la tige descendante sur l'accouplement du moteur jusqu'à ce que les trous des broches de la chape soient alignés. Ensuite, remplacez l'axe de chape et l'épingle, puis serrez les deux vis de réglage. (Fig. 10)

Étape 5. Glissez le couvercle du couplage, le couvercle de l'orifice de l'auvent et le couvercle sur la tige descendante. Réinstallez soigneusement la boule de suspension sur la tige descendante. Assurez-vous que la tige transversale est dans la bonne position et que la vis de réglage est serrée et que les fils ne sont pas tordus. (Fig. 11)

ATTENTION : Assurez-vous que toutes les vis sont serrées avant de passer à l'étape suivante.

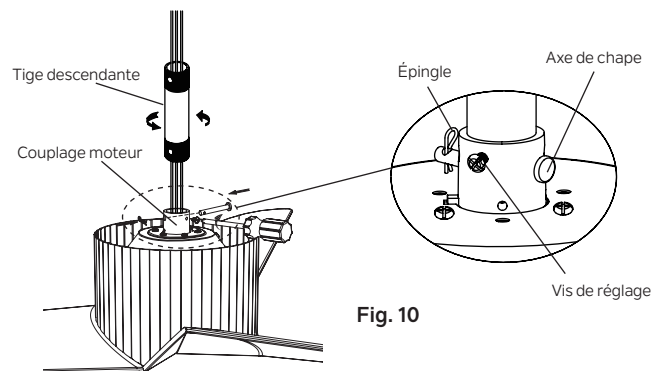


Fig. 10

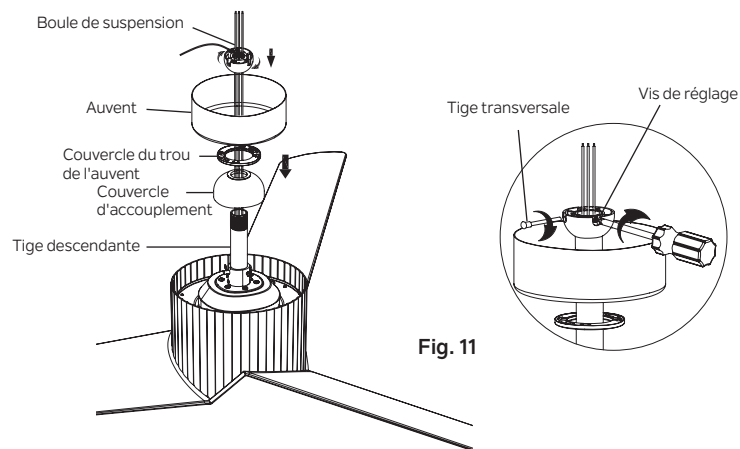


Fig. 11

SUSPENDRE LE VENTILATEUR (Suite)

Étape 6. Soulevez maintenant l'ensemble moteur et placez la boule de suspension dans le support de montage. Tournez jusqu'à ce que la « languette de contrôle » soit tombée dans la « fente d'enregistrement » et soit fermement en place. (Fig. 12) L'ensemble du corps du moteur ne doit pas tourner si cela est fait correctement.

AVERTISSEMENT : Le fait de ne pas installer correctement la « languette de contrôle » peut endommager le ventilateur de plafond pendant son fonctionnement.

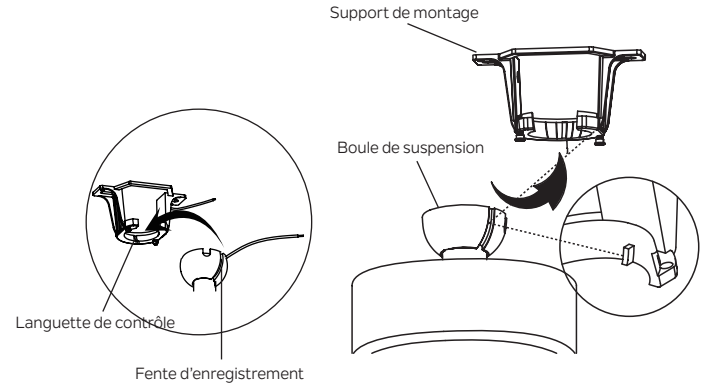


Fig. 12

INSTALLATION DU SUPPORT DE SÉCURITÉ (requis pour l'installation canadienne UNIQUEMENT)

Un câble de support de sécurité est fourni pour aider à empêcher le ventilateur de plafond de tomber, veuillez l'installer comme suit.

Étape 1. Enfoncez une vis à bois et des rondelles dans le côté de l'entretoise qui maintient le boîtier de sortie. Laissez 3 mm (1/8 po) d'espace entre le renfort de support et la rondelle. (Fig. 13)

Étape 2. Insérez le câble de sécurité à travers le support de montage et l'un des trous du boîtier de sortie dans le plafond. Ajustez la longueur du câble de sécurité pour atteindre la vis et les rondelles en tirant le câble supplémentaire à travers le serre-câble jusqu'à ce que la longueur totale soit correcte, remettez l'extrémité du câble à travers le serre-câble, formant une boucle à l'extrémité du câble. Serrez fermement le serre-câble. Maintenant, placez la boucle à l'extrémité du câble de sécurité sur la vis à bois et sous la rondelle. Serrez fermement la vis à bois. (Fig. 14)

REMARQUE : Bien que le câble de support de sécurité ne soit requis que pour les installations au Canada, c'est une bonne idée d'effectuer la fixation avec n'importe quelle installation.

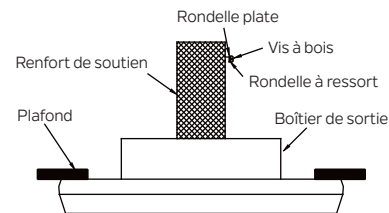


Fig. 13

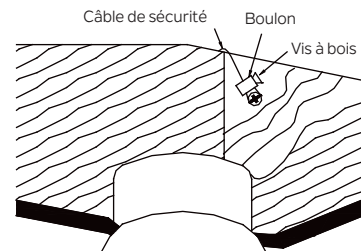


Fig. 14

RACCORDEMENTS ÉLECTRIQUES

AVERTISSEMENT : Pour éviter tout risque d'électrocution, assurez-vous d'avoir coupé l'alimentation au panneau de circuit principal avant de procéder au câblage.

Suivez les étapes ci-dessous pour raccorder le ventilateur à votre câblage domestique. Utilisez les connecteurs de fils fournis avec votre ventilateur. Fixez le connecteur avec du ruban isolant. Assurez-vous qu'il n'y a pas de supports de câbles ou de raccords desserrés.

AVERTISSEMENT : Si les fils de votre maison sont de couleurs différentes de celles indiquées dans ce manuel, arrêtez immédiatement. Un électricien professionnel est recommandé pour déterminer le câblage approprié.

Étape 1. Insérez le récepteur dans le support de montage au plafond, le côté plat du récepteur orienté vers le plafond. (Fig. 15)

Étape 2. Connectez les fils à l'aide des connecteurs comme indiqué dans le SCHÉMA DES CÂBLES. (Fig. 16)

AVERTISSEMENT : Vérifiez que toutes les connexions sont bien serrées, y compris la terre, et qu'aucun fil nu n'est visible au niveau des connexions de fil.

Étape 3. Une fois les raccords effectués, ils doivent être tournés vers le haut et poussés avec précaution dans la boîte de sortie. Les fils doivent être écartés à l'aide du conducteur mis à la terre (câbles blancs) et le conducteur de mise à la terre de l'équipement (câbles en cuivre verts ou dénudés), d'un côté de la boîte de sortie et le conducteur non mis à la terre (câbles noirs), de l'autre côté de la boîte de sortie.

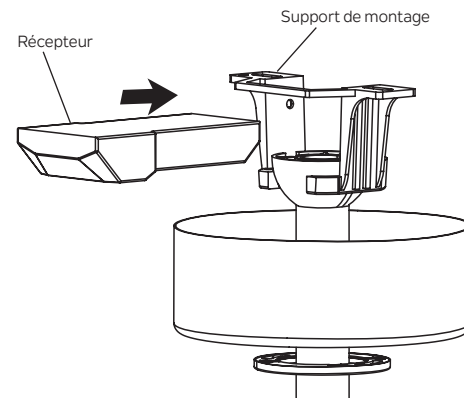


Fig. 15

SCHÉMA DES CÂBLES

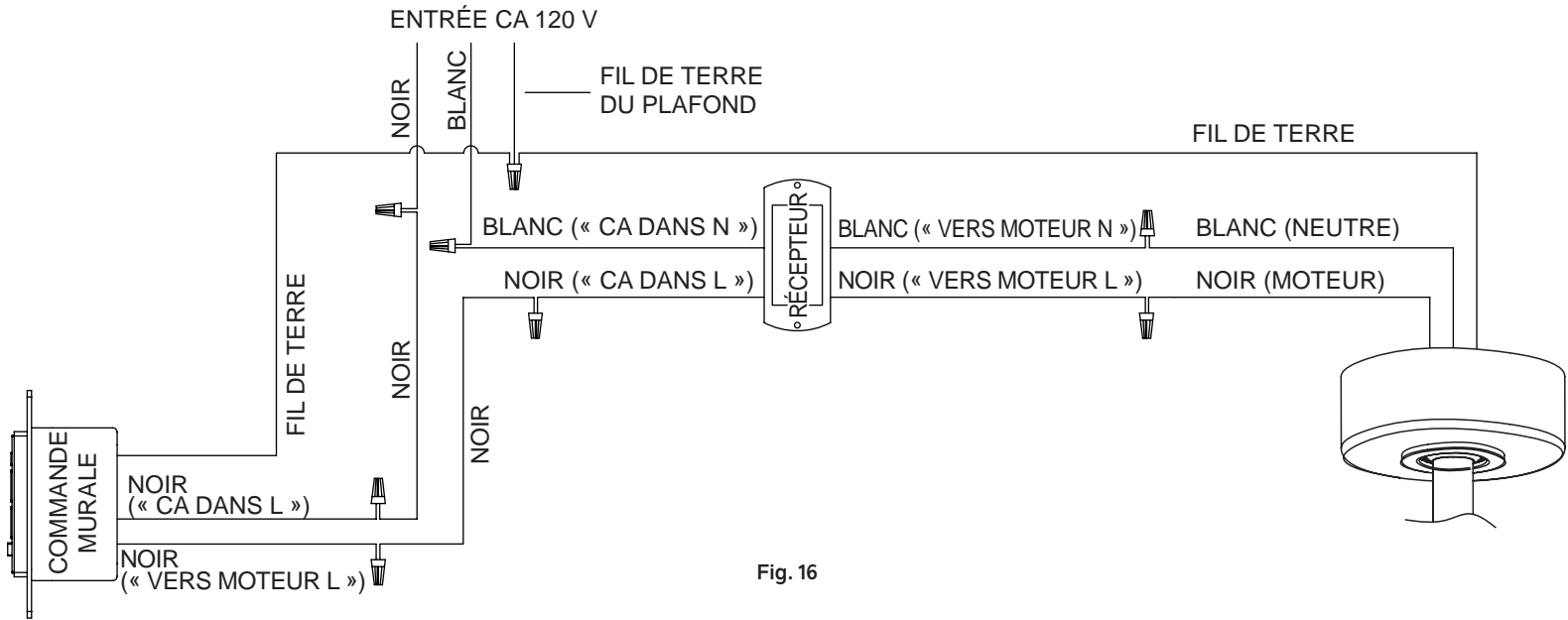


Fig. 16

INSTALLATION DE LA COMMANDE MURALE

AVERTISSEMENT : Tout le câblage doit être conforme au National Electrical Code et aux codes électriques locaux. L'installation électrique doit être effectuée par un électricien qualifié et agréé.

REMARQUE : L'INSTALLATION DE L'INTERRUPTEUR DOIT ÊTRE CONFORME À TOUS LES CODES ÉLECTRIQUES LOCAUX ET NATIONAL.

AVERTISSEMENT : Coupez l'alimentation principale au disjoncteur ou au panneau de fusibles avant de continuer.

Étape 1. Retirez la plaque murale existante et l'ancien interrupteur de la boîte de sortie murale. Débranchez les fils. (Fig. 17)

Étape 2. Raccordez les câbles de la boîte de sortie aux câbles de la commande murale, à l'aide des connecteurs de fil fournis. (Fig. 18)

*Connectez le fil conducteur (CHAUD) de la boîte de sortie au fil NOIR marqué « CA DANS L » de la commande murale.

*Connectez le fil conducteur (CHARGE) de la boîte de sortie au fil NOIR marqué « VERS MOTEUR L » de la commande murale.

*Connectez la MISE À LA TERRE de la boîte de sortie à la MISE À LA TERRE de la commande murale.

Étape 3. Fixez les connecteurs des fils et assurez-vous qu'il n'y a pas de brins ou de connexions lâches. Remettez soigneusement les connexions des fils à l'intérieur de la boîte de sortie et fixez la commande murale à la boîte de sortie avec les vis fournies. Enclencher la plaque frontale en place sur le devant de la commande murale.

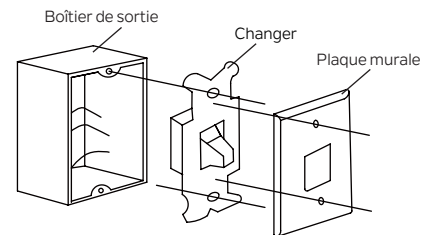


Fig. 17

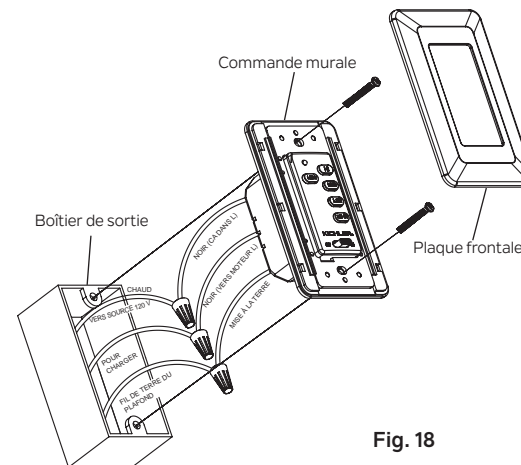


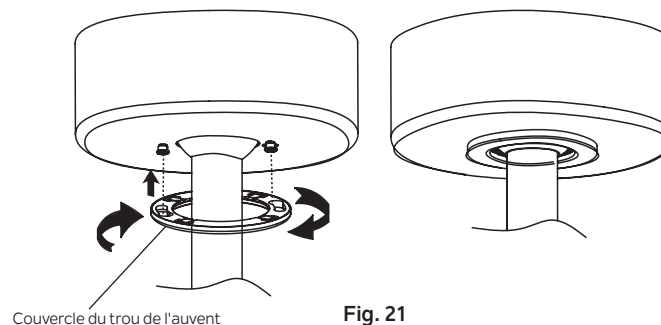
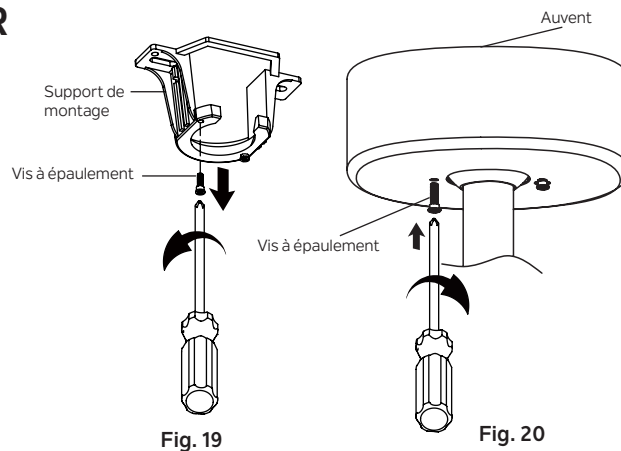
Fig. 18

TERMINER L'INSTALLATION DU VENTILATEUR

Étape 1. Retirez l'une des deux vis à épaulement du support de montage. Desserrez la deuxième vis à épaulement sans la retirer complètement. (Fig. 19)

Étape 2. Assemblez l'auvent en tournant la fente de la clé dans l'auvent sur la vis à épaulement dans le support de montage. Réinstallez la vis à épaulement précédemment retirée, puis resserrez fermement les deux vis à épaulement. (Fig. 20)

Étape 3. Fixez et serrez solidement le couvercle du trou de l'auvent sur les vis à épaulement du support de montage en utilisant la fonction de verrouillage par rotation de la rainure de clé. (Fig. 21)



INSTRUCTIONS D'UTILISATION

ACTIVER LE PROCESSUS D'APPRENTISSAGE

REMARQUE : Le système de contrôle de ce ventilateur est équipé d'une fonction de fréquence d'apprentissage qui a des combinaisons de codes 56K pour éviter les interférences potentielles d'autres unités distantes. La fréquence de votre récepteur et de votre commande murale a été préréglée en usine. Aucun changement de fréquence n'est nécessaire. Si le ventilateur ne fonctionne pas ou si vous souhaitez installer un autre ventilateur dans la même zone avec un code de fréquence distinct, suivez les instructions ci-dessous.

1. Utilisez un petit tournevis plat et retirez délicatement la plaque frontale du haut de la commande murale. (Fig. 22)
2. Une fois l'installation terminée, appuyez sur le bouton LEARN et maintenez-le enfoncé pendant 3 secondes dans les 30 secondes suivant la mise sous tension. Le ventilateur s'allumera à vitesse moyenne et la lumière (si installée) s'allumera. Cela confirme que le paramètre SMART SYNC est actif et OK.
3. Si vous ne pouvez pas terminer le réglage dans le délai de 30 secondes, l'alimentation principale doit être coupée et redémarrée. Cela répétera l'étape 1 jusqu'à ce que la fonction LEARN soit activée comme indiqué.

COMMUTATEUR DE SÉLECTION DE LA FONCTION D'ÉCLAIRAGE (Fig. 22)

D signifie « gradateur »

O signifie « seulement marche/arrêt, pas de gradateur »

La lumière de ce ventilateur est à intensité variable, il a été réglé sur la position « D » en usine. Si vous voulez que la lumière soit uniquement allumée/éteinte, faites glisser le commutateur sur la position « O ».

REMARQUE : L'« INTERRUPTEUR DE SÉLECTION DE LA FONCTION D'ÉCLAIRAGE » est S.O. pour ce ventilateur. Ce ventilateur ne comprend pas de kit d'éclairage ou de lampes.

FONCTIONNEMENT DE LA COMMANDE MURALE (Fig. 23)

ON/OFF : Active et verrouille la commande murale

HI : Vitesse élevée

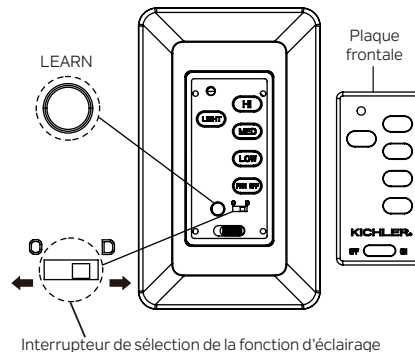
MED : Vitesse moyenne

LOW : Vitesse faible

FAN OFF : Éteint le ventilateur

LIGHT : Allume ou éteint la lumière. Appuyez sur le bouton et maintenez-le enfoncé pour régler la luminosité souhaitée.

REMARQUE : Le bouton « ÉCLAIRAGE » est S.O. pour ce ventilateur. Ce ventilateur ne comprend pas de kit d'éclairage ou de lampes.



Interrupteur de sélection de la fonction d'éclairage

Fig. 22

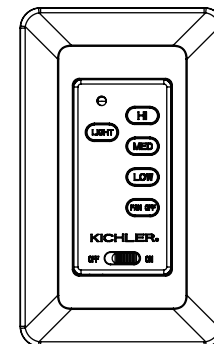


Fig. 23

FONCTION INVERSE

Pour activer la fonction d'inversion sur ce ventilateur, faites glisser l'interrupteur de marche arrière (Fig. 24) dans la position opposée.

AVERTISSEMENT : N'actionnez pas l'inverseur lorsque les pales du ventilateur sont en mouvement. Le ventilateur doit être éteint et les pales arrêtées avant d'inverser le sens des pales.

Fonctionnement par temps chaud : Vers l'avant (dans le sens inverse des aiguilles d'une montre). Un flux d'air vers le bas crée un effet de refroidissement (Fig. 25). Cela vous permet de régler votre climatiseur sur un réglage plus chaud sans affecter votre confort général.

Fonctionnement par temps frais : Inverser (sens horaire). Un flux d'air ascendant évacue l'air chaud des zones du plafond (Fig. 26). Cela vous permet de régler votre unité de chauffage sur un réglage plus froid sans affecter votre confort général.

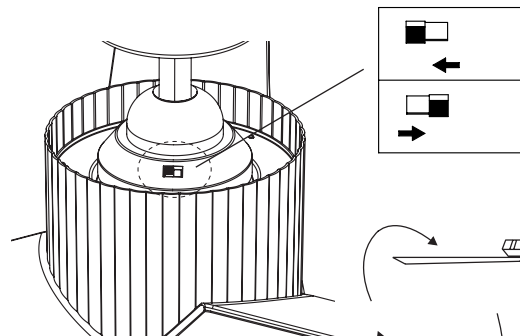


Fig. 24

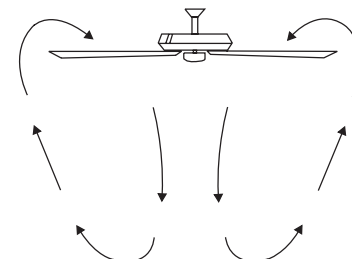


Fig. 25

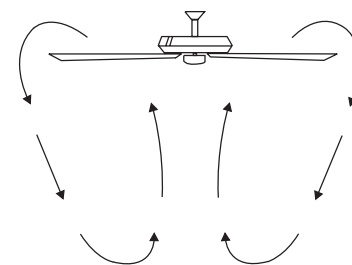


Fig. 26

Informations FCC

Cet appareil est conforme aux exigences de la section 15 du règlement de la FCC. Fonctionnement assujéti aux deux conditions d'utilisation suivantes :

- 1.) Cet appareil ne doit pas provoquer d'interférences nuisibles, et
- 2.) Cet appareil doit accepter tous les brouillages reçus, y compris ceux pouvant causer un

fonctionnement indésirable.

Remarque : Cet équipement a été testé et déclaré conforme aux limites d'un appareil numérique de classe B, conformément à la partie 15 des règles FCC. Ces limites sont conçues pour fournir une protection raisonnable contre les interférences nuisibles dans une installation résidentielle. Cet équipement génère, utilise et peut émettre de l'énergie radiofréquence et, s'il n'est pas installé et utilisé conformément aux instructions, peut provoquer des interférences nuisibles aux communications radio. Cependant, il n'y a aucune garantie que des interférences ne se produiront pas dans une installation particulière. Si cet équipement provoque des interférences nuisibles à la réception de la radio ou de la télévision, ce qui peut être déterminé en éteignant et en rallumant l'équipement, l'utilisateur est encouragé à essayer de corriger les interférences par une ou plusieurs des mesures suivantes :

- Réorientez ou déplacez l'antenne de réception.
- Augmentez l'espace entre l'équipement et le récepteur.
- Branchez l'équipement à une prise sur un circuit différent de celui auquel le récepteur est raccordé.
- Consultez le revendeur ou un technicien radio/TV expérimenté pour obtenir de l'aide.

DÉPANNAGE

Problème	Solution
Le ventilateur ne démarre pas.	<ol style="list-style-type: none">1. Vérifiez les fusibles ou les disjoncteurs.2. Vérifiez tous les raccordements électriques pour assurer un bon contact. ATTENTION : Assurez-vous que l'alimentation principale est coupée lors de la vérification de tout raccordement électrique.
Le ventilateur fait du bruit.	<ol style="list-style-type: none">1. Assurez-vous que toutes les vis du boîtier du moteur sont bien serrées.2. Assurez-vous que les vis qui fixent les supports des pales du ventilateur au moteur sont bien serrées.3. Assurez-vous que les raccords des écrous métalliques ne frottent pas les uns contre les autres ou contre la paroi intérieure du boîtier de l'interrupteur. ATTENTION : Assurez-vous que l'alimentation principale est coupée. <ol style="list-style-type: none">4. Prévoyez une période de « rodage » de 24 heures. La plupart des bruits associés à un nouveau ventilateur disparaissent pendant ce temps.5. Si vous utilisez un kit d'éclairage en option, assurez-vous que les vis fixant la verrerie sont bien serrées. Assurez-vous que les ampoules ne touchent aucun autre composant.6. Ne connectez pas ce ventilateur à une ou plusieurs commandes de vitesse variable fixées au mur. Ils ne sont pas compatibles avec les moteurs de ventilateurs de plafond ou les télécommandes.7. Assurez-vous que la verrière supérieure est à une courte distance du plafond. Elle ne doit pas toucher le plafond.
Le ventilateur vacille.	<ol style="list-style-type: none">1. Vérifiez que toutes les vis de la pale et du bras de pale sont bien fixées.2. La plupart des problèmes d'oscillation du ventilateur sont causés lorsque les niveaux des pales sont inégaux. Vérifiez ce niveau en sélectionnant un point sur le plafond au-dessus de la pointe de l'une des pales. Mesurez cette distance. Faites tourner le ventilateur jusqu'à ce que la pale suivante soit positionnée pour la mesure. Répétez pour chaque pale. L'écart de distance doit être égal à 1/8".3. Si l'oscillation de la pale est toujours perceptible, interchanger deux pales adjacentes (côte à côte) peut redistribuer le poids et éventuellement entraîner un fonctionnement plus fluide.
Dysfonctionnement de la télécommande.	<ol style="list-style-type: none">1. Les ventilateurs de plafond équipés de systèmes de télécommande NE PEUVENT PAS être utilisés avec un autre système de commande SAUF un interrupteur mural Marche/Arrêt de base si vous le souhaitez.

KICHLER®

www.kichler.com

KICHLER LIGHTING LLC
30455 SOLON RD.
SOLON, OHIO 44139 USA

SERVICE À LA CLIENTÈLE 866.558.5706
8 h à 17 h EST, DU LUNDI AU VENDREDI

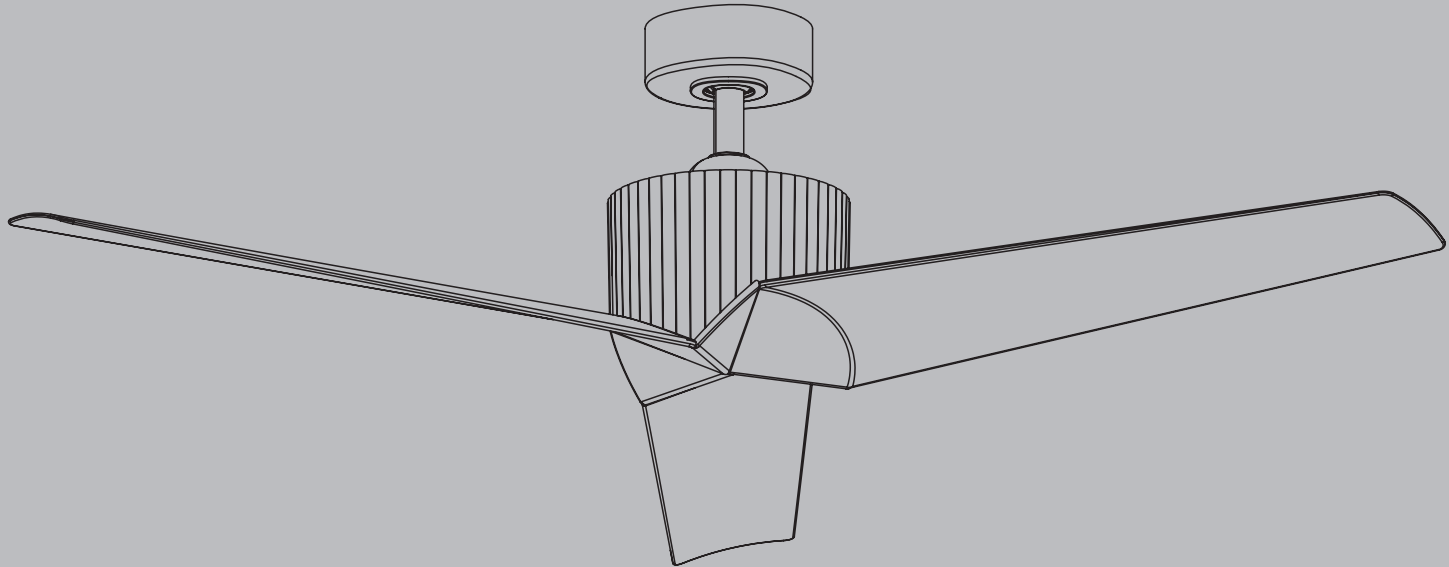
REV. 02-10-2023

© Kichler Lighting LLC. Tous droits réservés.

KICHLER®

56" Almere

Las imágenes del producto pueden diferir ligeramente del producto real.



LEER Y GUARDAR ESTAS INSTRUCCIONES

MANUAL DE INSTRUCCIONES
Número de modelo 330130

ÍNDICE

NORMAS DE SEGURIDAD.....	3	CONEXIONES ELÉCTRICAS.....	12
HERRAMIENTAS REQUERIDOS.....	5	INSTALACIÓN DEL CONTROL DE PARED.....	14
CONTENIDO DEL PAQUETE.....	5	CÓMO COMPLETAR LA INSTALACIÓN DEL VENTILADOR.....	15
OPCIONES DE MONTAJE.....	6	INSTRUCCIONES DE FUNCIONAMIENTO.....	16
COLOCACIÓN DE LAS ASPAS DEL VENTILADOR.....	7	INFORMACIÓN DE LA FCC.....	17
COLGAR EL VENTILADOR.....	8	RESOLUCIÓN DE PROBLEMAS.....	18
INSTALACIÓN DEL SOPORTE DE SEGURIDAD.....	11		

NORMAS DE SEGURIDAD

LEER Y GUARDAR ESTAS INSTRUCCIONES

ADVERTENCIA: PARA CANADÁ, ESTE VENTILADOR DEBE FIJARSE DIRECTAMENTE A LA ESTRUCTURA DEL EDIFICIO/VIGA DEL TECHO. NO ASEGURE ESTE VENTILADOR A UNA CAJA DE DISTRIBUCIÓN.

- 1. PRECAUCIÓN: RIESGO DE DESCARGA ELÉCTRICA:**
Desconecte la energía en el panel del disyuntor principal o en la caja de fusibles principal antes de comenzar y durante la instalación.
- 2. ADVERTENCIA:** Todo el cableado debe instalarse de acuerdo con el Código Eléctrico Nacional 70 del Instituto Nacional Estadounidense de Estándares (American National Standards Institute, ANSI)/la Asociación Nacional de Protección contra Incendios (National Fire Protection Association) y los códigos eléctricos locales. La instalación eléctrica debe ser realizada por un electricista calificado.
- 3. ADVERTENCIA:** Para reducir el riesgo de descarga eléctrica, este ventilador debe instalarse con un interruptor/control de pared aislante de uso general.
- 4. ADVERTENCIA:** No apto para usar con controles de velocidad de estado sólido.
- 5. ADVERTENCIA:** Para reducir el riesgo de incendio, descarga eléctrica u otras lesiones personales, monte el ventilador conectándolo a la caja de salida marcada como “Apta para soporte de ventilador de 15,9 kg (35 lb) o menos” y use los tornillos de montaje proporcionados con la caja de tomacorrientes.
- 6.** La mayoría de las cajas de salida comúnmente usadas para sujetar apliques de luz no son aptas para uso con ventiladores y deben reemplazarse. Debido a la complejidad de la instalación de este ventilador, se recomienda enfáticamente la intervención de un electricista certificado y calificado.
- 6.** La caja de salida y la estructura de soporte deben estar montadas de manera segura y ser capaces de soportar de manera confiable un mínimo de 15,9 kg (35 libras). Use solo cajas de salida con certificación cULus y marcadas como “Apta para soporte de ventilador de 15,9 kg (35 lb) o menos”.
- 7.** El ventilador debe montarse con un espacio libre mínimo de 2,1 m (7 pies) desde el borde posterior de las aspas hasta el suelo.
- 8. ADVERTENCIA:** No opere el interruptor de inversión mientras las aspas del ventilador estén en movimiento. El ventilador debe estar apagado y las aspas detenidas antes de invertir la dirección de las aspas.
- 9.** Evite colocar objetos en el camino de las aspas.
- 10. ADVERTENCIA:** asegúrese de que la corriente esté desconectada antes de limpiar su ventilador.

NORMAS DE SEGURIDAD

11. Para evitar lesiones personales o daños al ventilador y otros elementos, tenga cuidado cuando trabaje alrededor o limpie el ventilador.
12. No use agua ni detergentes para limpiar el ventilador ni las aspas del ventilador. Un paño seco para el polvo o un paño ligeramente humedecido será adecuado para la mayor parte de la limpieza.
13. Después de realizar las conexiones eléctricas, los conductores empalmados deben girarse hacia arriba y empujarse con cuidado hacia la caja de salida. Los cables deben separarse con el conductor puesto a tierra, y el conductor de puesta a tierra del equipo en un lado de la caja de salida, y el conductor sin puesta a tierra en el otro lado de la caja de salida.
14. Los diagramas eléctricos son solo para fines de referencia. Los kits de luz que no vengan empaquetados con el ventilador deben tener la certificación cULus y estar marcados como aptos para usar con el modelo de ventilador que está instalando. Los interruptores deben ser interruptores de uso general con certificación cULus. Consulte las instrucciones que vienen con los kits de luz e interruptores para un montaje adecuado.
15. Todos los tornillos de fijación deben revisarse y volverse a apretar cuando sea necesario antes de la instalación.

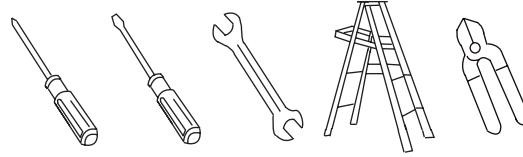
16. N.W. 7,82 KG (17,24 LB)/G.W. 8,75 KG (19,29 LB)

ADVERTENCIA

PARA REDUCIR EL RIESGO DE LESIONES PERSONALES,
NO DOBLE LAS ASPAS DURANTE EL MONTAJE
O DESPUÉS DE LA INSTALACIÓN. NO INTRODUZCA
OBJETOS EN EL CAMINO DE LAS ASPAS.

HERRAMIENTAS Y MATERIALES REQUERIDOS

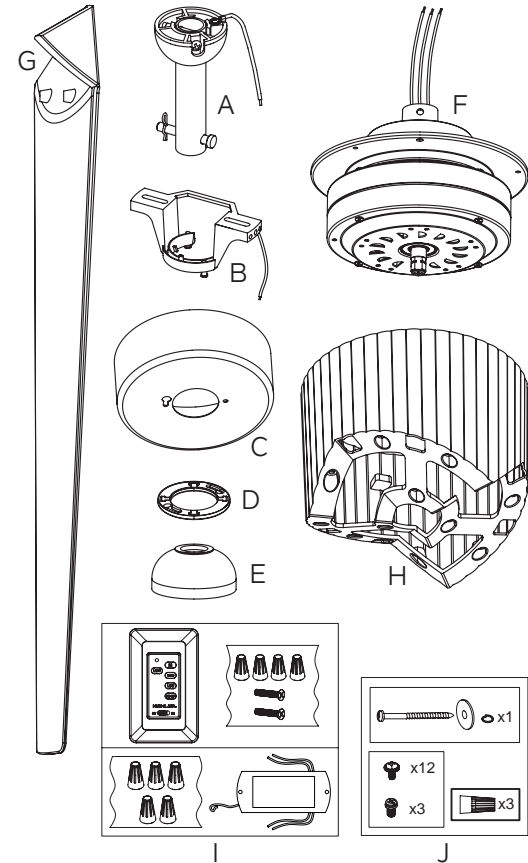
- Destornillador Phillips
- Destornillador plano
- Llave de 11 mm
- Escalera de mano
- Cortadores de alambre



CONTENIDO DEL PAQUETE

Desempaque su ventilador y verifique el contenido. Debería tener los siguientes elementos:

- | | |
|--|--|
| <ul style="list-style-type: none"> A. Conjunto de bola/varilla de extensión B. Soporte de montaje C. Dospel D. Cubierta del orificio del dosel E. Cubierta de acoplamiento F. Conjunto del motor G. Aspa (3) H. Soporte de la aspa | <ul style="list-style-type: none"> I. Unidad de control de pared
Placa frontal (1); Control de pared (1); Receptor(1);
Conector de cable (4+5);
Tornillo largo (2); J. Accesorios del paquete <ol style="list-style-type: none"> 1.) Accesorios del cable de seguridad: Tornillo para madera (1); Arandela de resorte (1); Arandela plana (1) 2.) Accesorios de montaje: Conector de cable (3); 3.) Accesorios de fijación del aspa: Tornillo (12); 4.) Accesorios de fijación del conjunto del motor: Tornillo (3) |
|--|--|



OPCIONES DE MONTAJE

Si no existe una caja de montaje con certificación UL (cUL para la instalación canadiense), lea las siguientes instrucciones. Desconecte la energía quitando los fusibles o apagando los disyuntores.

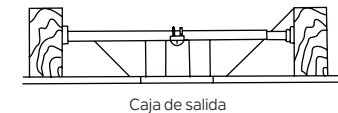
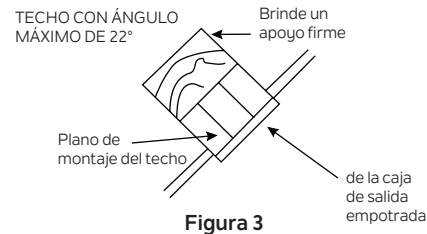
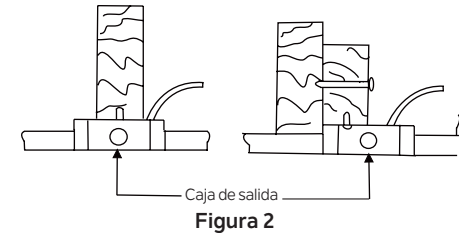
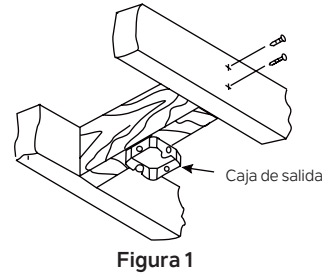
Fije la caja de salida directamente a la estructura del edificio. Utilice sujetadores y materiales de construcción adecuados. La caja de salida y su soporte deben poder soportar completamente el peso total del ventilador (hasta 15.9 kg [35 libras]). No utilice cajas de salida de plástico.

Las figuras 1, 2 y 3 son ejemplos de diferentes formas de montar la caja de salida.

NOTA: Si está instalando el ventilador de techo en un techo inclinado (abovedado), es posible que necesite una varilla de extensión más larga para mantener el espacio adecuado entre la punta del aspa y el techo. Se sugiere un espacio libre mínimo de 12" para un funcionamiento óptimo.

NOTA: Debe usar una varilla de extensión de 12" o más para una pendiente de 22° (ángulo máximo de 22°). (Figura 3)

NOTA: Según la ubicación que haya seleccionado para la instalación, es posible que deba comprar e instalar un "colgador de viguetas" para el soporte de la caja de salida. Asegúrese de que el colgador de viguetas que compre haya sido diseñado para usarse con ventiladores de techo. (Figura 4)



COLOCACIÓN DE LAS ASPAS DEL VENTILADOR

PRECAUCIÓN: Para reducir el riesgo de descarga eléctrica, desconecte el circuito de suministro eléctrico al ventilador antes de instalar las aspas.

Paso 1. Alinee los cuatro orificios del asa con los cuatro orificios correspondientes del soporte. Enrosque los tornillos de fijación del asa en los orificios alineados y apriete los tornillos para fijar el asa al soporte. Repita para las aspas restantes. (Figura 5)

Paso 2. NOTA: Dentro del soporte de aspas hay seis lengüetas. Tres de las lengüetas tienen un poste en la parte superior y las otras tres tienen un orificio en el centro.

NOTA: En el anillo exterior del conjunto del motor hay seis orificios. Tres de los orificios son de menor tamaño y los otros tres de mayor tamaño.

Inserte con cuidado el conjunto del motor en el soporte de aspas, alineando los orificios más pequeños del conjunto del motor con los postes de la parte superior de las lengüetas. Pase los postes a través de los orificios más pequeños y asiente el anillo exterior del conjunto del motor sobre las seis lengüetas.

Los orificios más grandes del conjunto del motor deben alinearse con los orificios de las lengüetas. Enrosque los tres tornillos de fijación del conjunto del motor en los orificios más grandes del conjunto del motor y en los orificios de las lengüetas, y apriételos para fijar el conjunto del motor al soporte de aspas. (Figura 6)”

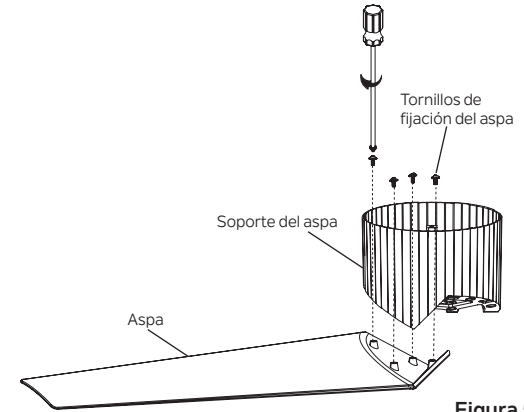


Figura 5

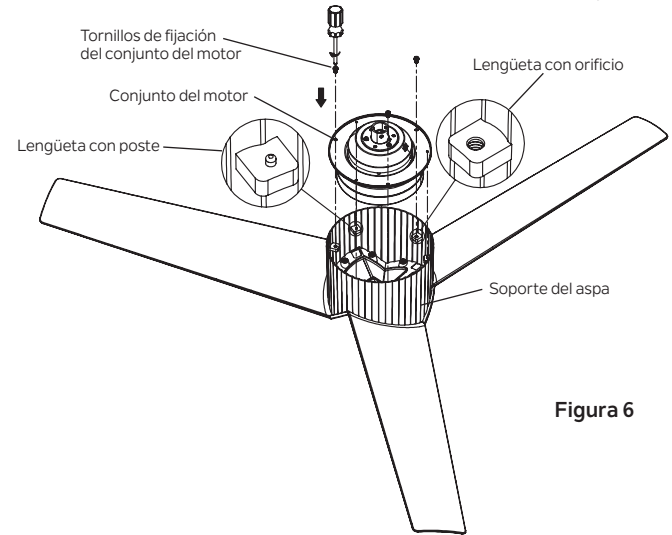


Figura 6

COLGAR EL VENTILADOR

RECUERDE desconectar la alimentación antes de comenzar la instalación. Esto es necesario para su seguridad y también para la programación adecuada del sistema de control.

Para instalar correctamente su ventilador de techo, siga los pasos a continuación.

Paso 1. Antes de conectar el ventilador a la caja de salida (no incluida), asegúrese de que la caja de salida esté bien sujeta a al menos dos puntos de un miembro estructural del techo (una caja suelta hará que el ventilador oscile). Pase los cables de suministro de 120 voltios desde la caja de salida del techo a través del centro del soporte de montaje del techo. Instale el soporte de montaje en la caja de salida en el techo usando los tornillos y las arandelas incluidos con la caja de salida. (Figura 7)

Paso 2. Retire la horquilla y el pasador de horquilla del conjunto de la varilla de extensión, guárdelos para usarlos posteriormente. Retire la bola de suspensión del conjunto de la varilla de extensión aflojando el tornillo de fijación, quitando el pasador transversal y deslizando la bola fuera de la varilla. (Figura 8)

NOTA: Asegúrese de mantener los accesorios sueltos separados para evitar confusiones durante la instalación.

Paso 3. Afloje los dos tornillos de fijación en el acoplamiento del motor. (Figura 9)

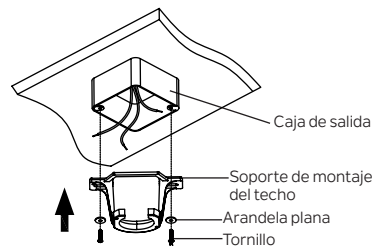


Figura 7

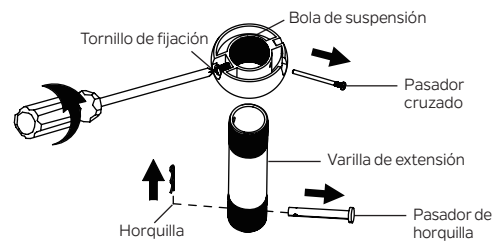


Figura 8

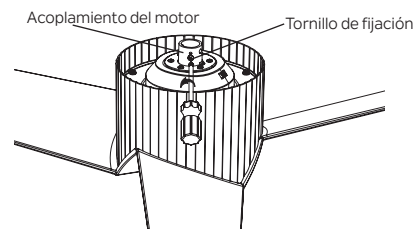


Figura 9

COLGAR EL VENTILADOR (continuación)

Paso 4. Pase con cuidado los cables del ventilador y el cable de seguridad hacia arriba a través de la varilla de extensión. Enrosque la varilla de extensión en el acoplamiento del motor hasta que los orificios del pasador de horquilla estén alineados. A continuación, vuelva a colocar el pasador de horquilla y la horquilla, luego apriete ambos tornillos de fijación. (Figura 10)

Paso 5. Deslice la cubierta del acoplamiento, la cubierta del orificio del dosel y el dosel sobre la varilla de extensión. Vuelva a instalar con cuidado la bola de suspensión en la varilla. Asegúrese de que el pasador transversal esté en la posición correcta y que el tornillo de fijación esté apretado y que los cables no estén torcidos. (Figura 11)

PRECAUCIÓN: Asegúrese de que todos los tornillos estén apretados antes de pasar al siguiente paso.

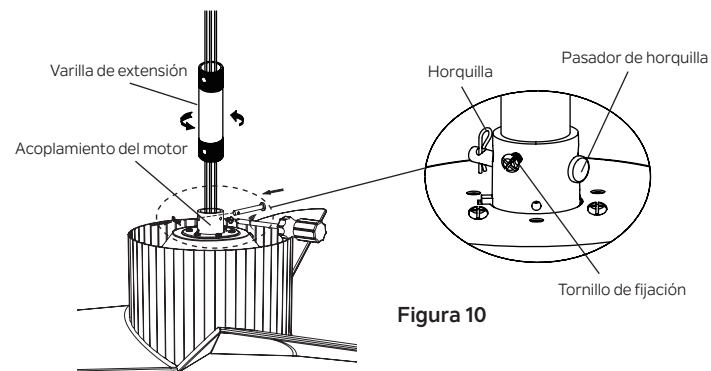


Figura 10

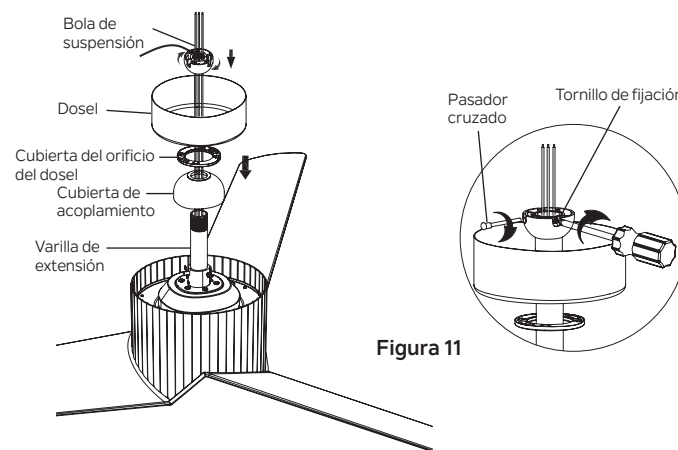


Figura 11

COLGAR EL VENTILADOR (continuación)

Paso 6. Ahora levante el conjunto del motor a su posición y coloque la bola de suspensión en el soporte de montaje. Gire hasta que la “lengüeta de retención” haya caído en la “ranura de registro” y se asiente firmemente. (Figura 12) Todo el cuerpo del motor no debe girar si se hace correctamente.

ADVERTENCIA: El no asentar correctamente la “lengüeta de retención” puede dañar el ventilador de techo durante el funcionamiento.

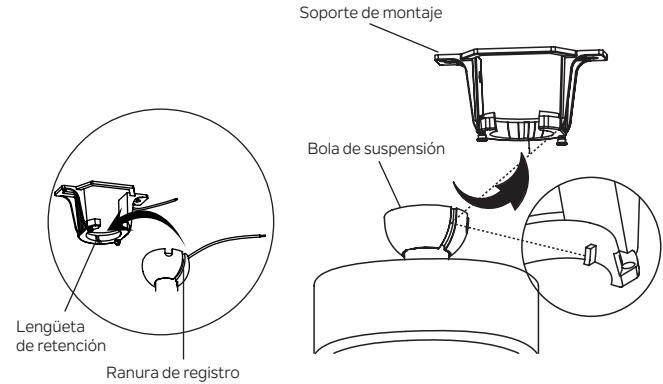


Figura 12

INSTALACIÓN DEL SOPORTE DE SEGURIDAD (requerido para la instalación canadiense SOLAMENTE)

Se proporciona un cable de soporte de seguridad para ayudar a evitar que el ventilador de techo se caiga; instálelo de la siguiente manera.

Paso 1. Inserte un tornillo para madera y arandelas en el costado de la abrazadera que sostiene la caja de salida. Deje 3 mm (1/8") de espacio entre el soporte de apoyo y la arandela. (Figura 13)

Paso 2. Inserte el cable de seguridad a través del soporte de montaje y uno de los orificios de la caja de salida en el techo. Ajuste la longitud del cable de seguridad para alcanzar el tornillo y las arandelas tirando del cable adicional a través de la abrazadera del cable hasta que la longitud total sea la correcta, vuelva a colocar el extremo del cable a través de la abrazadera del cable, formando un bucle en el extremo del cable. Apriete firmemente la abrazadera del cable. Ahora, coloque el lazo en el extremo del cable de seguridad sobre el tornillo para madera y debajo de la arandela. Apriete firmemente el tornillo de madera. (Figura 14)

NOTA: Aunque el cable de soporte de seguridad se requiere solo para instalaciones canadienses, se recomienda hacer esta conexión con cualquier instalación.

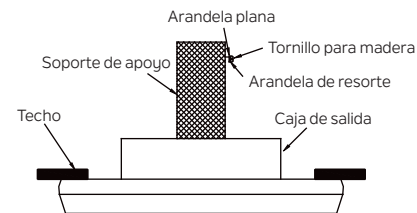


Figura 13

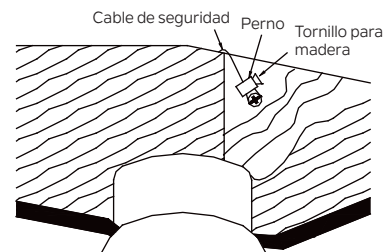


Figura 14

CONEXIONES ELÉCTRICAS

ADVERTENCIA: Para evitar posibles descargas eléctricas, asegúrese de haber desconectado la energía en el panel del circuito principal antes de realizar el cableado.

Siga los pasos a continuación para conectar el ventilador al cableado de su hogar. Utilice los conectores de cable suministrados con su ventilador. Sujete el conector con cinta aislante. Asegúrese de que no haya conexiones o filamentos de cables sueltos.

ADVERTENCIA: Si los cables de su casa son de colores diferentes a los que se mencionan en este manual, deténgase inmediatamente. Se recomienda un electricista profesional para determinar el cableado adecuado.

Paso 1. Inserte el receptor en el soporte de montaje, con el lado plano orientado hacia el techo. (Figura 15)

Paso 2. Conecte los cables utilizando los conectores como se muestra en el DIAGRAMA DE CABLES. (Figura 16)

ADVERTENCIA: Verifique que todas las conexiones estén apretadas, incluida la conexión a tierra, y que no se vea ningún cable desnudo en las conexiones de cables.

Paso 3. Una vez realizadas las conexiones, deben girarse hacia arriba y empujarse con cuidado hacia arriba en la caja de salida. Los cables deben separarse con el conductor puesto a tierra (cables blancos), y el conductor de puesta a tierra del equipo (cables de cobre verde o desnudo) en un lado de la caja de salida, y el conductor sin puesta a tierra (cables negros) en el otro lado de la caja de salida.

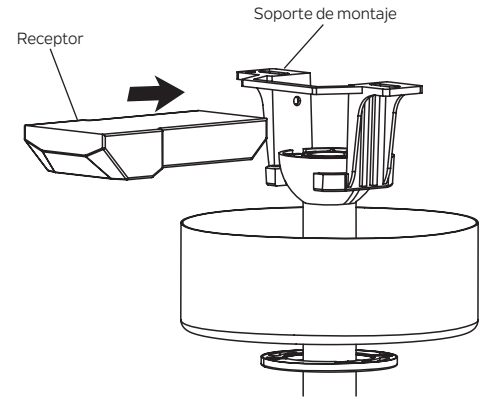


Figura 15

DIAGRAMA DE CABLEADO

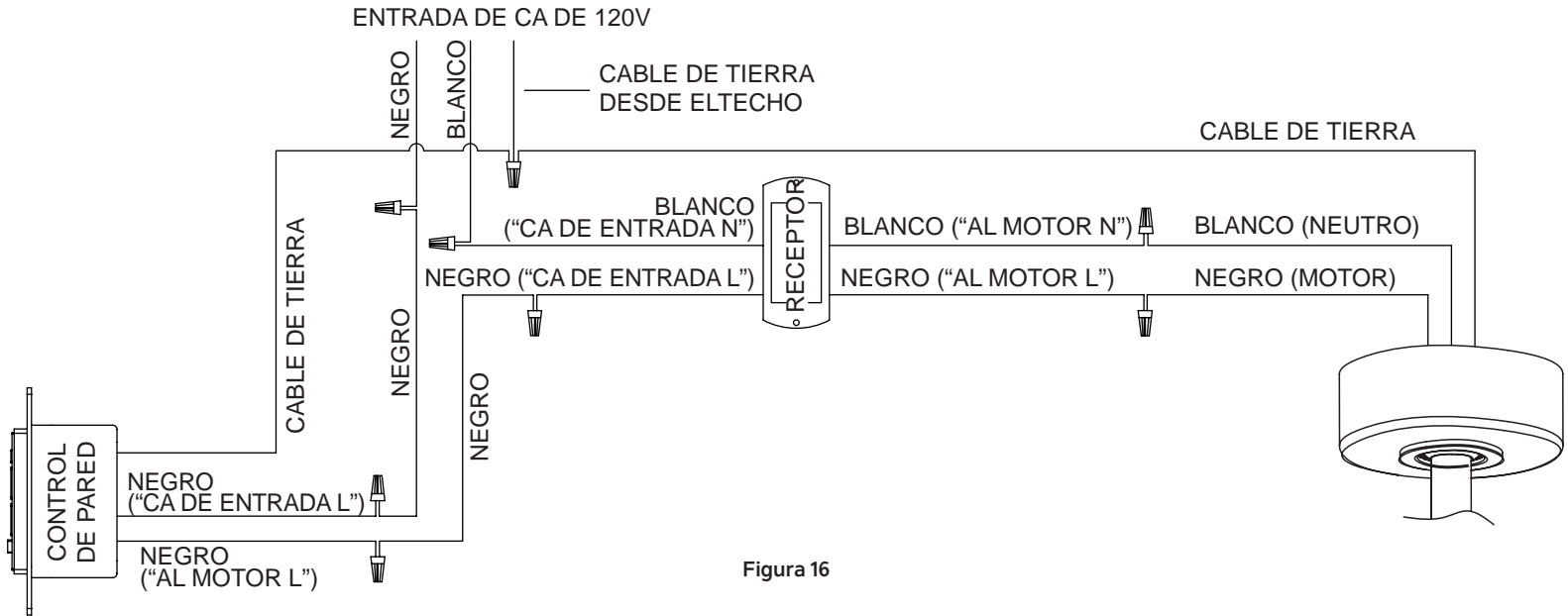


Figura 16

INSTALACIÓN DEL CONTROL DE PARED

ADVERTENCIA: Todo el cableado debe instalarse de acuerdo con el Código Eléctrico Nacional (National Electrical Code) y los códigos eléctricos locales. La instalación eléctrica debe ser realizada por un electricista calificado.

NOTA: LA INSTALACIÓN DEL INTERRUPTOR DEBE CUMPLIR CON TODOS LOS CÓDIGOS ELÉCTRICOS LOCALES Y NACIONALES.

ADVERTENCIA: Apague la energía principal en el disyuntor o en el panel de fusibles antes de continuar.

Paso 1. Retire la placa de pared existente y el interruptor antiguo de la caja de salida de pared. Desconecte los cables. (Figura 17)

Paso 2. Conecte los cables de la caja de salida a los cables del control de la pared, con los conectores de cables provistos. (Figura 18)

*Conecte el cable principal (VIVO) de la caja de salida al cable NEGRO marcado "CA DE ENTRADA N" del control de pared.

*Conecte el cable principal (CARGA) de la caja de salida al cable NEGRO marcado "AL MOTOR L" del control de pared.

*Conecte el cable de TIERRA de la caja de salida al TIERRA del control de pared.

Paso 3. Asegure los conectores de los cables y asegúrese de que no haya hilos o conexiones sueltas. Con cuidado, vuelva a colocar las conexiones de cables dentro de la caja de salida y asegure el control de pared a la caja de salida con los tornillos proporcionados. Encaje la placa frontal en su lugar en la parte frontal del control de pared.

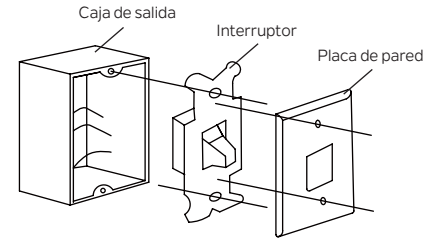


Figura 17

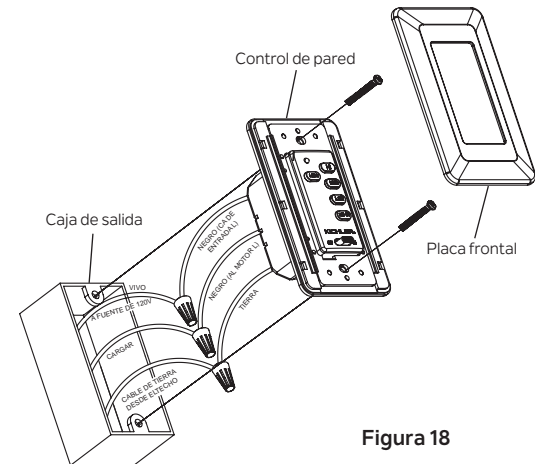


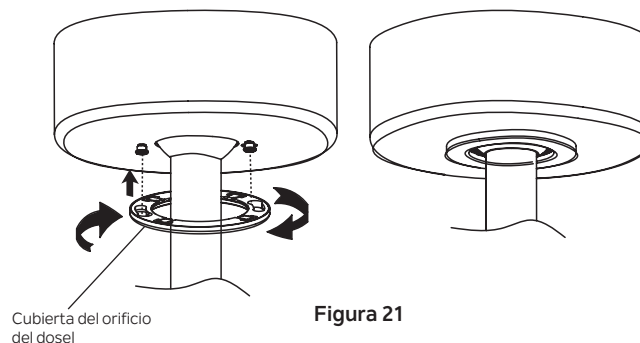
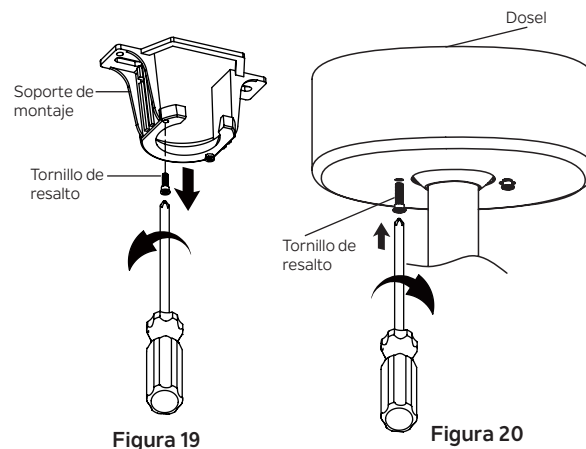
Figura 18

CÓMO COMPLETAR LA INSTALACIÓN DEL VENTILADOR

Paso 1. Quite uno de los dos tornillos de resalto en el soporte de montaje. Afloje el segundo tornillo de resalto sin quitarlo por completo. (Figura 19)

Paso 2. Ensamble el dosel girando la ranura de llave en el dosel sobre el tornillo de resalto en el soporte de montaje. Vuelva a instalar el tornillo de resalto que se quitó anteriormente, luego vuelva a apretar dos tornillos de resalto firmemente. (Figura 20)

Paso 3. Fije y apriete firmemente la cubierta del orificio del dosel sobre los tornillos de resalto en el soporte de montaje utilizando la función de bloqueo por giro de la ranura de llave (Figura 21).



INSTRUCCIONES DE FUNCIONAMIENTO

ACTIVAR EL PROCESO DE APRENDIZAJE

NOTA: El sistema de control de este ventilador está equipado con una función de frecuencia de aprendizaje que tiene combinaciones de códigos de 56K para evitar posibles interferencias de otras unidades remotas. La frecuencia de su receptor y de la unidad del control de pared se ha configurado previamente en la fábrica. No es necesario cambiar la frecuencia. Si el ventilador no funciona o si desea instalar otro ventilador dentro de la misma área con un código de frecuencia aparte, siga las instrucciones que se indican a continuación.

1. Utilice un destornillador plano pequeño y haga palanca con cuidado para separar la placa frontal de la parte superior del control de pared. (Figura 22)
2. Una vez completada la instalación, presione y mantenga presionado el botón APRENDER (LEARN) durante 3 segundos dentro de los 30 segundos posteriores a la activación de la alimentación de CA. El ventilador se encenderá a velocidad media y la luz (si está instalada) se encenderá. Esto confirma que el ajuste SMART SYNC está activo y bien.
3. Si no puede finalizar la configuración dentro de 30 segundos, la alimentación principal debe apagarse y reiniciarse de nuevo. Esto repetirá el paso 1 hasta que se active la función APRENDER como se indica.

INTERRUPTOR DE SELECCIÓN DE FUNCIÓN DE LUZ (Figura 22)

D significa "atenuador"

O significa "solo encendido/apagado, sin atenuar"

La luz de este ventilador es regulable, se ha configurado en la posición "D" en la fábrica. Si desea que la luz solo esté ENCENDIDA/APAGADA, deslice el interruptor a la posición "O".

NOTA: El "INTERRUPTOR DE SELECCIÓN DE FUNCIÓN DE LUZ" es N/A para este ventilador. Este ventilador no incluye un kit de luces ni lámparas.

FUNCIONAMIENTO DEL CONTROL DE PARED (Figura 23)

ON/OFF: Active y bloquee el control de pared

HI: Alta velocidad

MED: Velocidad media

LOW: Baja velocidad

FAN OFF: Apaga el ventilador

LIGHT: Encienda o apague la luz. Mantenga presionado el botón para establecer el brillo deseado.

NOTA: El botón "LIGHT" es N/A para este ventilador. Este ventilador no incluye un kit de luces ni lámparas.

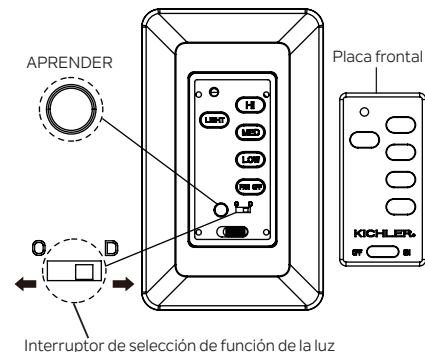


Figura 22

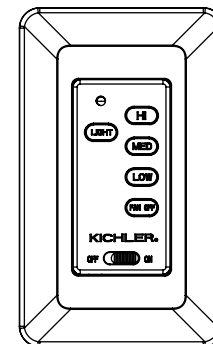


Figura 23

FUNCIÓN DE RETROCESO

Para operar la función de retroceso en este ventilador, deslice el interruptor de retroceso (Figura 24) a la posición opuesta.

ADVERTENCIA: No opere el interruptor de inversión mientras las aspas del ventilador estén en movimiento. El ventilador debe estar apagado y las aspas detenidas antes de invertir la dirección de las aspas.

Operación en clima cálido: Adelante (sentido contrario a las agujas del reloj). Un flujo de aire hacia abajo crea un efecto refrescante como se muestra en la (Figura 25). Esto le permite configurar su aire acondicionado en una temperatura más cálida sin afectar su comodidad general.

Operación en clima frío: Retroceso (en sentido de las agujas del reloj). Un flujo de aire ascendente remueve el aire caliente del techo (Figura 26). Esto le permite configurar su unidad de calefacción en una configuración más fría sin afectar su comodidad general.

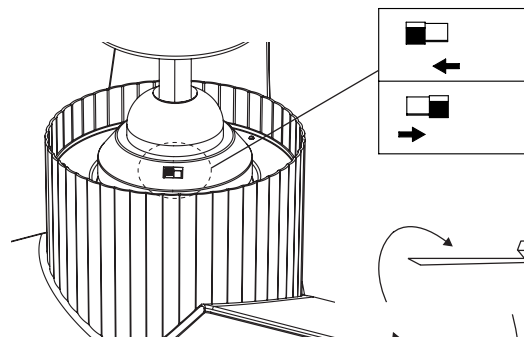


Figura 24

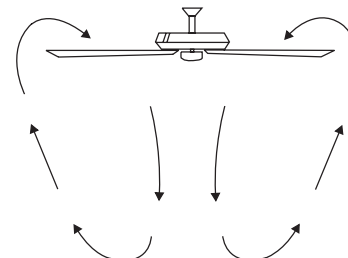


Figura 25

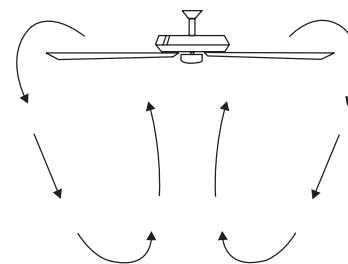


Figura 26

Información de la FCC

Este dispositivo cumple con la parte 15 de las normas de la Comisión Federal de Comunicaciones (Federal Communications Commission, FCC). El funcionamiento está sujeto a las siguientes dos condiciones:

- 1.) Este dispositivo no puede causar interferencias perjudiciales, y
- 2.) Este dispositivo debe aceptar cualquier interferencia recibida, incluidas interferencias que puedan causar un funcionamiento no deseado.

Nota: Este equipo ha sido probado y cumple con los límites para un dispositivo digital de Clase B, de acuerdo con la parte 15 de las normas de la FCC. Estos límites están diseñados para proporcionar una protección razonable contra interferencias perjudiciales en una instalación residencial. Este equipo genera, usa y puede irradiar energía de radiofrecuencia y, si no se instala y usa de acuerdo con las instrucciones, puede causar interferencia dañina a las comunicaciones por radio. Sin embargo, no hay garantía de que no se produzcan interferencias en una instalación en particular. Si este equipo causa interferencia dañina en la recepción de radio o televisión, lo cual se puede determinar encendiendo y apagando el equipo, se recomienda al usuario que intente corregir la interferencia mediante una o más de las siguientes medidas:

- Reorientar o reubicar la antena receptora.
- Aumentar la separación entre el equipo y el receptor.
- Conectar el equipo a una toma de corriente en un circuito diferente al que está conectado el receptor.
- Consulte con el distribuidor o con un técnico de radio/TV experimentado para obtener ayuda.

RESOLUCIÓN DE PROBLEMAS

Problema	Solución
El ventilador no arranca.	<ol style="list-style-type: none">1. Verifique los fusibles o disyuntores del circuito.2. Verifique todas las conexiones eléctricas para asegurar un contacto adecuado. <p>PRECAUCIÓN: Asegúrese de que la alimentación principal esté APAGADA cuando verifique cualquier conexión eléctrica.</p>
El ventilador suena ruidoso.	<ol style="list-style-type: none">1. Asegúrese de que todos los tornillos de la carcasa del motor estén ajustados.2. Asegúrese de que los tornillos que sujetan los soportes de las aspas del ventilador al motor estén apretados.3. Asegúrese de que las conexiones de tuercas para cables no se froten entre sí o con la pared interior de la caja del interruptor. <p>PRECAUCIÓN: Asegúrese de que la energía principal esté apagada.</p> <ol style="list-style-type: none">4. Permita un período de "rodaje" de 24 horas. La mayor parte del ruido asociado con un ventilador nuevo desaparece durante este tiempo.5. Si usa un kit de luz opcional, asegúrese de que los tornillos que sujetan la cristalería estén bien apretados. Asegúrese de que las bombillas no toquen ningún otro componente.6. No conecte este ventilador a un control de velocidad variable montado en la pared. No son compatibles con motores de ventiladores de techo o controles remotos.7. Asegúrese de que el dosel superior esté a poca distancia del techo. No debe tocar el techo.
Oscilación del ventilador.	<ol style="list-style-type: none">1. Verifique que todos los tornillos de aspa y del brazo de aspa estén firmes.2. La mayoría de los problemas de oscilación del ventilador se deben a que los niveles de las aspas no son iguales. Compruebe este nivel seleccionando un punto en el techo por encima de la punta de una de las aspas. Mida esta distancia. Gire el ventilador hasta que se coloque la siguiente aspa para medir. Repita para cada aspa. La desviación de la distancia debe ser igual dentro de 1/8".3. Si aún se nota la oscilación del aspa, intercambiar dos aspas adyacentes (una al lado de la otra) puede redistribuir el peso y posiblemente dar como resultado un funcionamiento más fluido.
Mal funcionamiento del control remoto.	<ol style="list-style-type: none">1. Los ventiladores de techo con sistemas de control remoto NO PUEDEN funcionar junto con ningún otro sistema de control, EXCEPTO un interruptor de pared de encendido/apagado básico si se desea.

KICHLER®

www.kichler.com

KICHLER LIGHTING LLC
30455 SOLON RD.
SOLON, OH 44139, EE. UU.

SERVICIO AL CLIENTE 866.558.5706
8:00 AM A 5:00 PM EST, DE LUNES A VIERNES

REV. 02-10-2023

© Kichler Lighting LLC. Todos los derechos reservados.