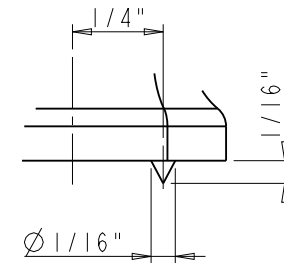
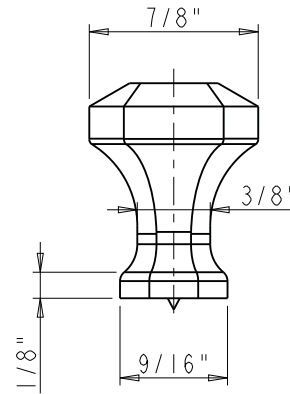
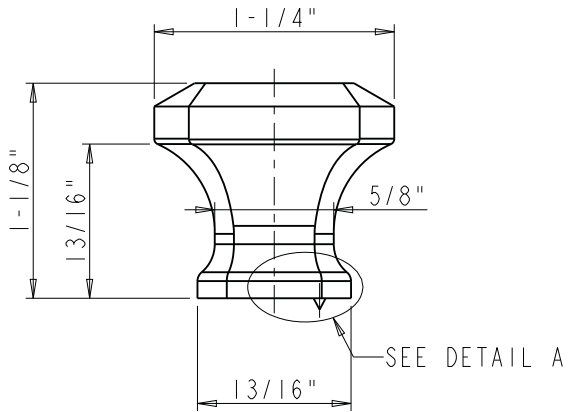
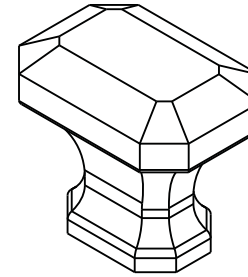
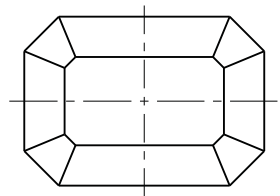


8-32 UNC - DRILL_DEPTH 5/8"
SCREW_DEPTH 1/2"



DETAIL A
SCALE 2:1



	ITEM#:	165		MATERIAL:	Z1NC
	FINISH:			WEIGHT:	59.69 g
PROPRIETARY AND CONFIDENTIAL			PROJECTION		
THE INFORMATION CONTAINED IN THIS DRAWING IS THE SOLE PROPERTY OF HARDWARE RESOURCES INC. ANY REPRODUCTION IN PART OR AS A WHOLE WITHOUT THE WRITTEN PERMISSION OF HARDWARE RESOURCES INC. IS PROHIBITED.	TOLERANCE UNLESS OTHERWISE SPECIFIED:	UNITS:	DRAWN BY:	DATE:	
	X ±0.20	A4	APPROVED BY:	DATE:	
	X.X ±0.10		RELEASE LEVEL:	REVISION:	
	X.XX ±0.05	SHEET:	1 OF 1		
ANGULAR: ±0.5°	DO NOT SCALE DRAWING				