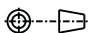
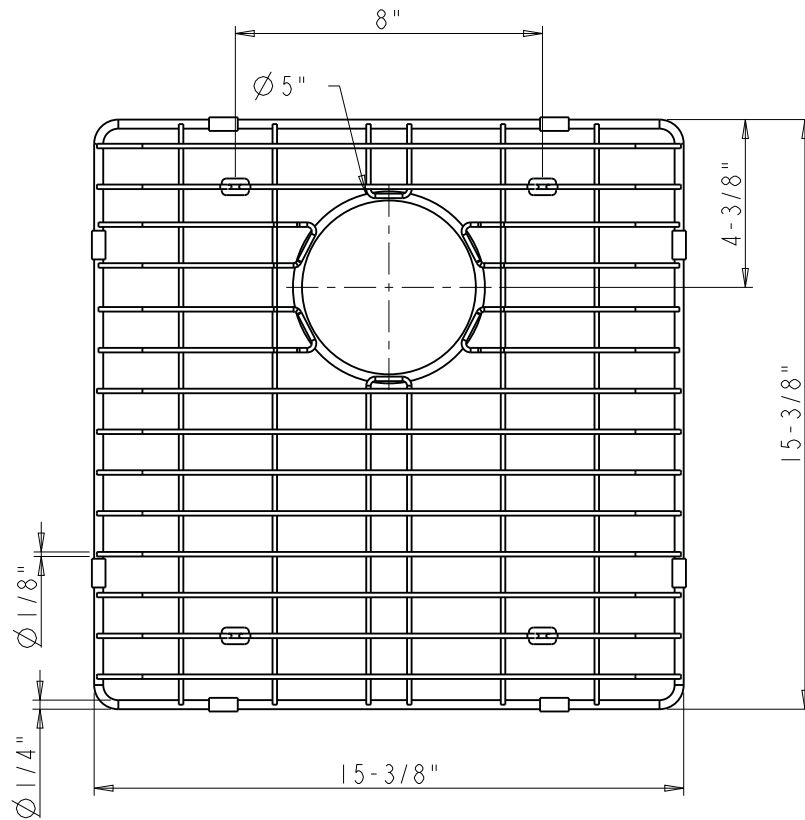
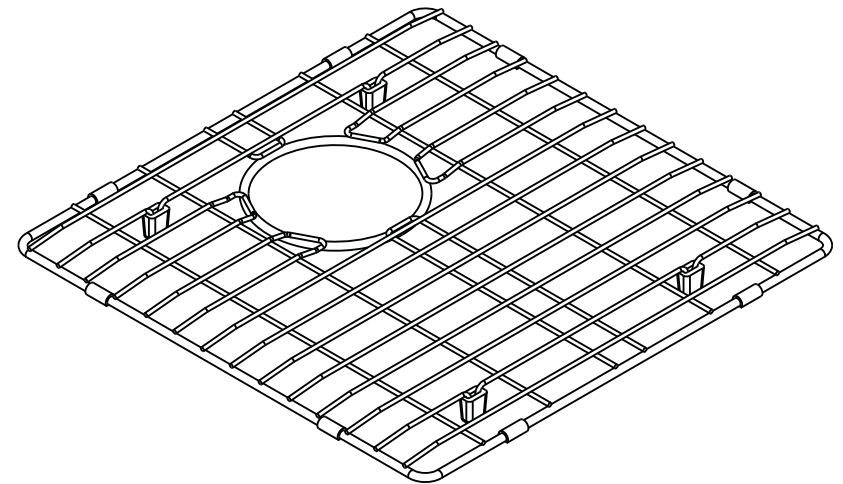
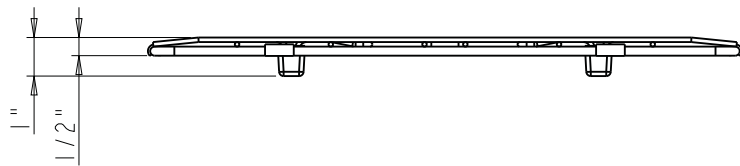

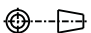
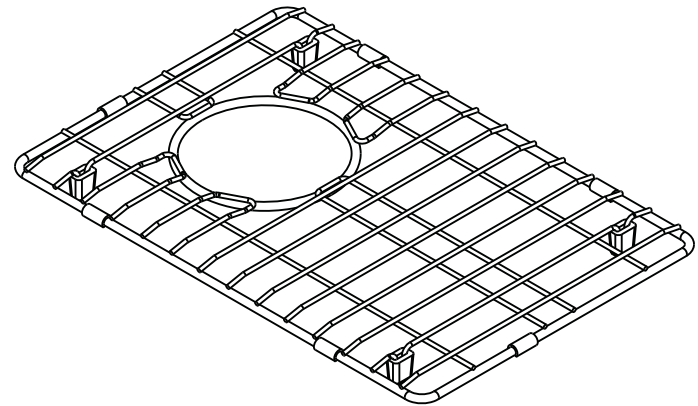
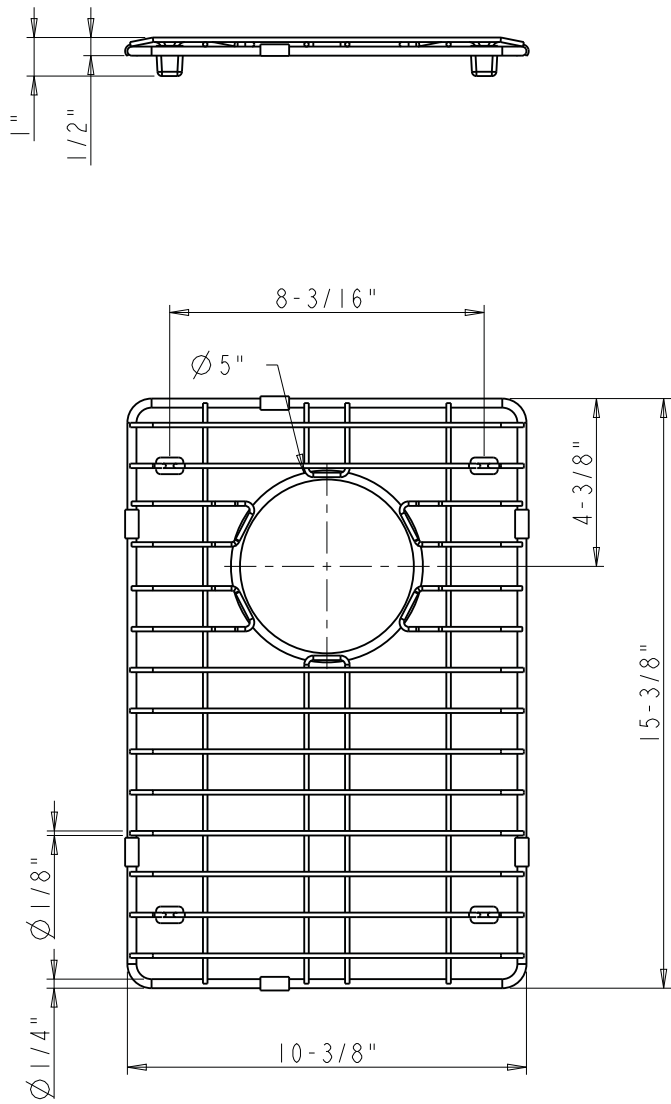
	ITEM#:	HMS260-GRID		MATERIAL:	STEEL	
	FINISH:			WEIGHT:	0.000 g	
<p>PROPRIETARY AND CONFIDENTIAL</p> <p>THE INFORMATION CONTAINED IN THIS DRAWING IS THE SOLE PROPERTY OF HARDWARE RESOURCES INC. ANY REPRODUCTION IN PART OR AS A WHOLE WITHOUT THE WRITTEN PERMISSION OF HARDWARE RESOURCES INC. IS PROHIBITED.</p>	<p>TOLERANCE UNLESS OTHERWISE SPECIFIED:</p> <p>X ±0.20</p> <p>XX ±0.10</p> <p>XXX ±0.05</p> <p>ANGULAR: ±0.5°</p>		UNITS:	DRAWN BY:	DATE:	
	<p>DO NOT SCALE DRAWING</p>		SIZE:	APPROVED BY:	DATE:	
			SHEET:	RELEASE LEVEL:	REVISION:	
			1 OF 1			
			<p>PROJECTION</p> 			
			<p>Hugo.cai</p>		01-04-16	



 PROPRIETARY AND CONFIDENTIAL THE INFORMATION CONTAINED IN THIS DRAWING IS THE SOLE PROPERTY OF HARDWARE RESOURCES INC. ANY REPRODUCTION IN PART OR AS A WHOLE WITHOUT THE WRITTEN PERMISSION OF HARDWARE RESOURCES INC. IS PROHIBITED.	ITEM:	HMS260-GRID-A		MATERIAL:	STEEL
	FINISH:			WEIGHT:	0.000 g
	PROJECTION				
	TOLERANCE UNLESS OTHERWISE SPECIFIED:	UNITS:	DRAWN BY:	DATE:	
	X ±0.20		Hugo.cai	12-29-15	
	X.X ±0.10	SIZE:	APPROVED BY:	DATE:	
	X.XX ±0.05	A4			
	ANGULAR: ±0.5°	SHEET:	RELEASE LEVEL:	REVISION:	
	DO NOT SCALE DRAWING	1 OF 1			



	ITEM#:	HMS260-GRID-B		MATERIAL:	STEEL
	FINISH:			WEIGHT:	0.000 g
	PROJECTION				
<p>PROPRIETARY AND CONFIDENTIAL</p> <p>THE INFORMATION CONTAINED IN THIS DRAWING IS THE SOLE PROPERTY OF HARDWARE RESOURCES INC. ANY REPRODUCTION IN PART OR AS A WHOLE WITHOUT THE WRITTEN PERMISSION OF HARDWARE RESOURCES INC. IS PROHIBITED.</p>	TOLERANCE UNLESS OTHERWISE SPECIFIED:	UNITS:	DRAWN BY:	DATE:	
	X ±0.20		Hugo.cai	12-29-15	
	X.X ±0.10	SIZE:	APPROVED BY:	DATE:	
	X.XX ±0.05	A4			
ANGULAR: ±0.5°	SHEET:	RELEASE LEVEL:	REVISION:		
DO NOT SCALE DRAWING	1 OF 1				