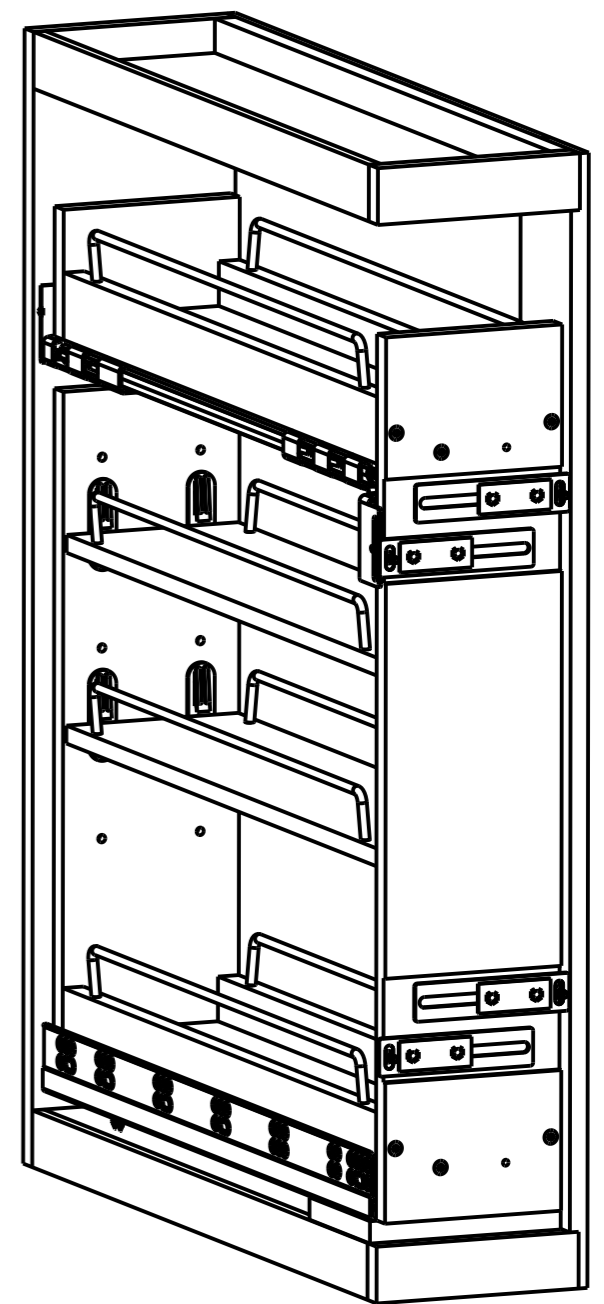
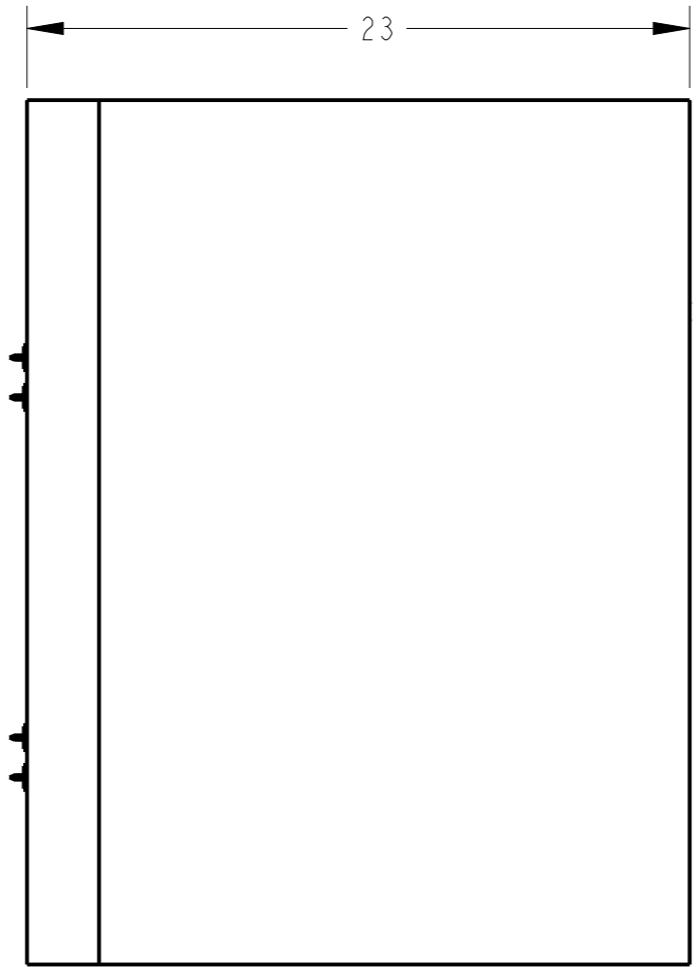
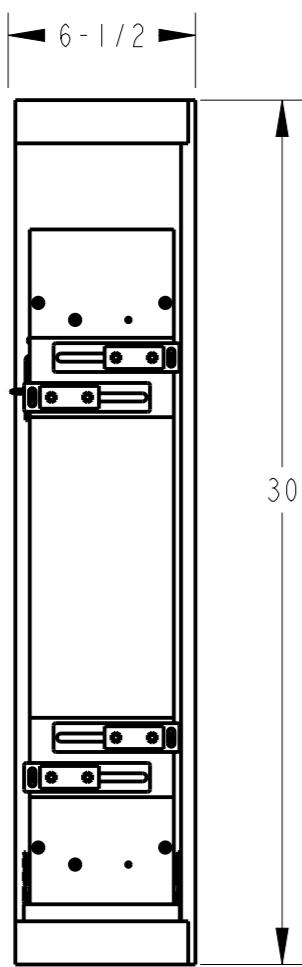
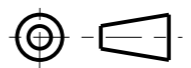


8 7 6 5 4 3 2 1

F E D C B A



THIRD ANGLE PROJECTION



| | |
|------------------------|-----------------|
| MATERIAL N/A | FINISH N/A |
| DRAWN BY J.GOMEZ | DATE 10JAN19 |
| DESIGNED BY J.GOMEZ | DATE 30MAY18 |
| APPROVED BY | DATE |

hardware resources

| | | |
|--|-----------------|----------------|
| DESCRIPTION NO WIGGLE, BASE FILLER, 6INCH | | |
| DRAWING NUMBER BFPO2-6SC | REV 1 | |
| SIZE A3 | SCALE 1.000 | SHEET 1 / 1 |

DOCUMENT STATUS In Work

HARDWARE RESOURCES RESERVES THE RIGHT TO CHANGE SPECIFICATIONS WITHOUT NOTICE. IN CASE OF A DISCREPANCY, ACTUAL PART GEOMETRY SUPERSEDES THIS DOCUMENT.

THE INFORMATION CONTAINED WITHIN THIS DRAWING IS THE SOLE PROPERTY OF HARDWARE RESOURCES INC. ANY REPRODUCTION IN PART OR WHOLE WITHOUT WRITTEN PERMISSION OF HARDWARE RESOURCES INC. IS PROHIBITED.

A

8 7 6 5 4 3 2 1