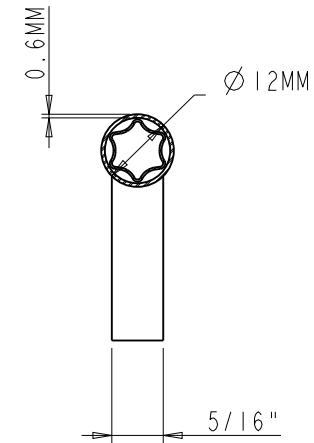
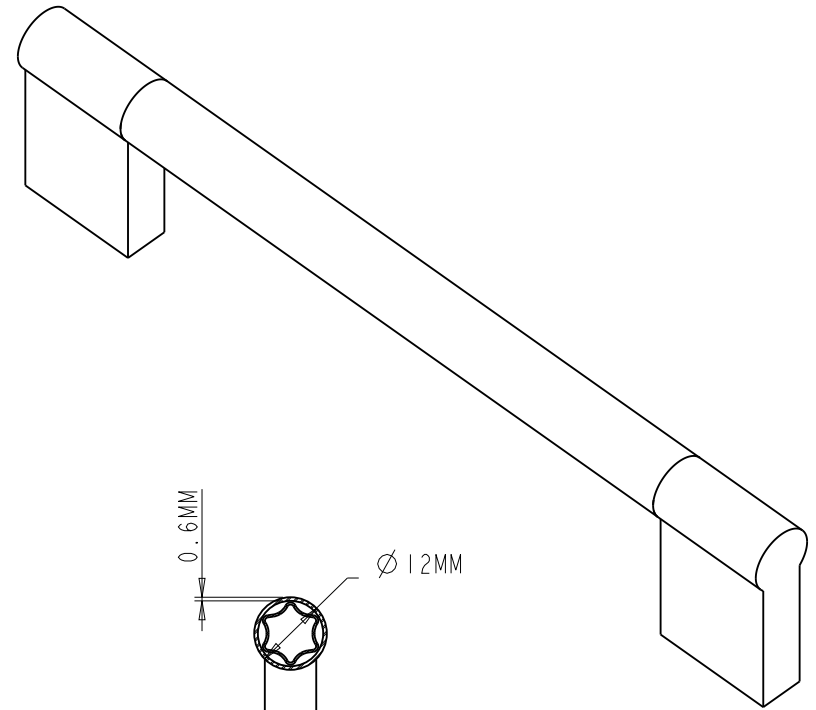
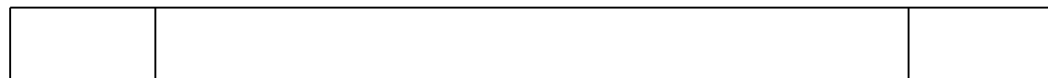
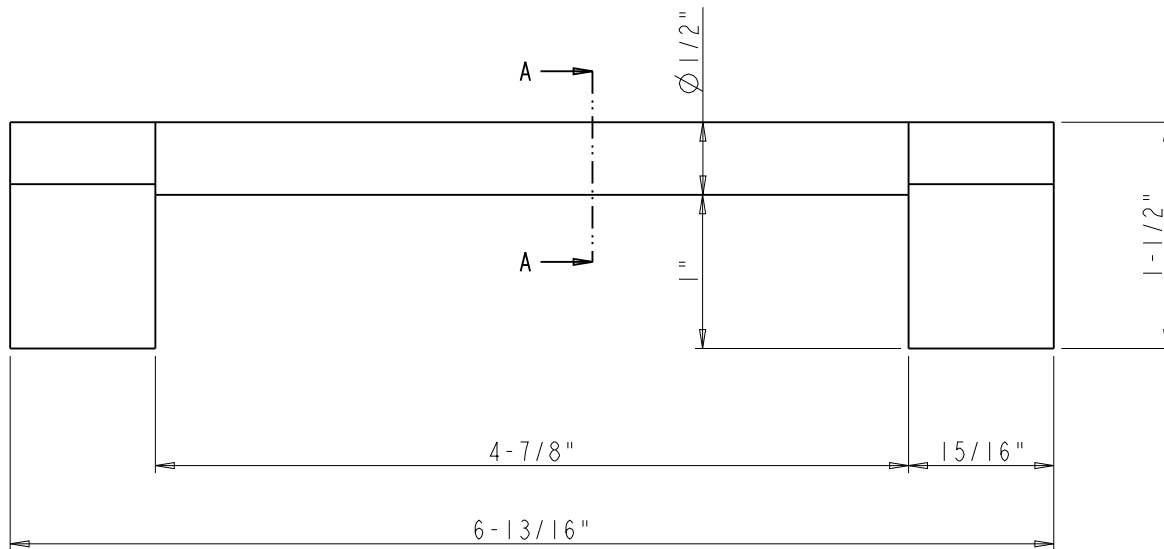
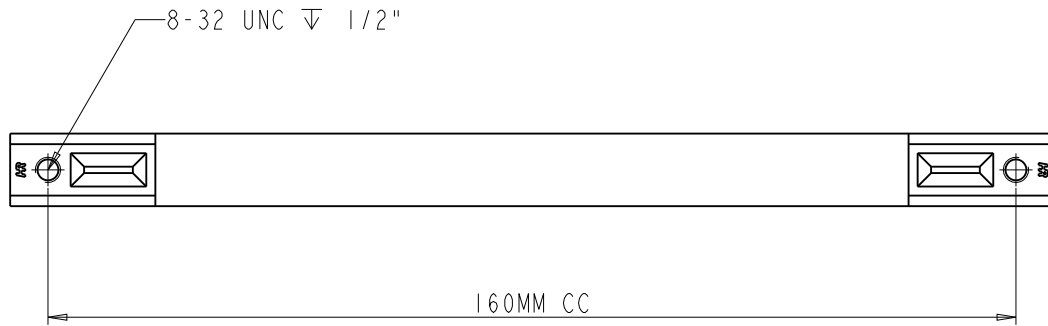


	ITEM#: 645-160	MATERIAL:	
	FINISH:	WEIGHT: 9	
PROPRIETARY AND CONFIDENTIAL THE INFORMATION CONTAINED IN THIS DRAWING IS THE SOLE PROPERTY OF HARDWARE RESOURCES INC. ANY REPRODUCTION IN PART OR AS A WHOLE WITHOUT THE WRITTEN PERMISSION OF HARDWARE RESOURCES INC. IS PROHIBITED.	PROJECTION		
	TOLERANCE UNLESS OTHERWISE SPECIFIED: X ±0.20 X.X ±0.10 X.XX ±0.05 ANGULAR: ±0.5°	UNITS:	DRAWN BY: Alexander.W
	DO NOT SCALE DRAWING	APPROVED BY:	DATE: 06-13-18
		RELEASE LEVEL:	REVISION:



SECTION A-A

	ITEM:	645-160		MATERIAL:
	FINISH:			WEIGHT: 117.56 g
PROPRIETARY AND CONFIDENTIAL THE INFORMATION CONTAINED IN THIS DRAWING IS THE SOLE PROPERTY OF HARDWARE RESOURCES INC. ANY REPRODUCTION IN PART OR AS A WHOLE WITHOUT THE WRITTEN PERMISSION OF HARDWARE RESOURCES INC. IS PROHIBITED.	TOLERANCE UNLESS OTHERWISE SPECIFIED:	UNITS:	DRAWN BY:	DATE:
	X ±0.20		Alexander.W	06-13-18
	X.X ±0.10	SIZE:	APPROVED BY:	DATE:
	X.XX ±0.05	SHEET:	RELEASE LEVEL:	REVISION:
ANGULAR: ±0.5°	DO NOT SCALE DRAWING			