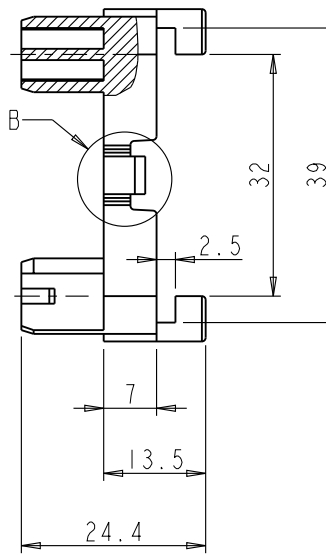
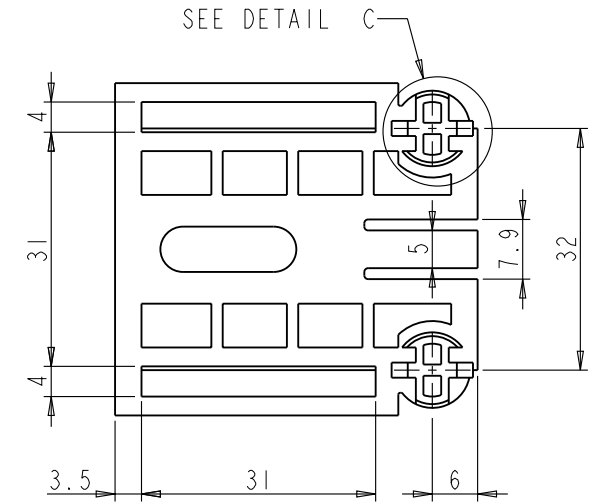


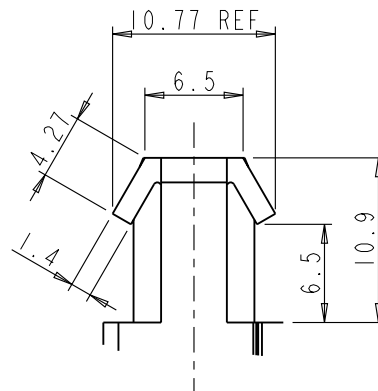
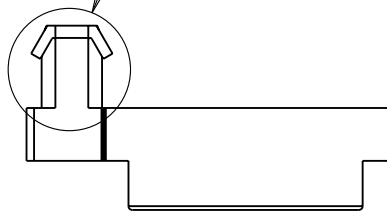
SEE DETAIL B



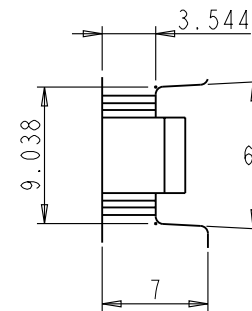
SECTION B-B



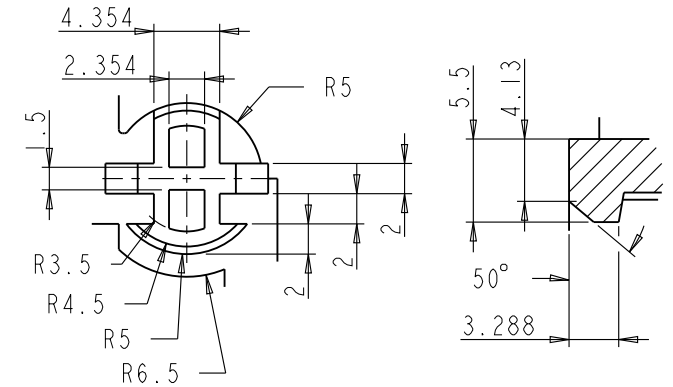
SEE DETAIL A



DETAIL A  
SCALE 2:1



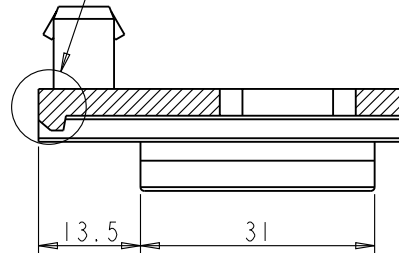
DETAIL B  
SCALE 2:1



DETAIL C  
SCALE 2:1

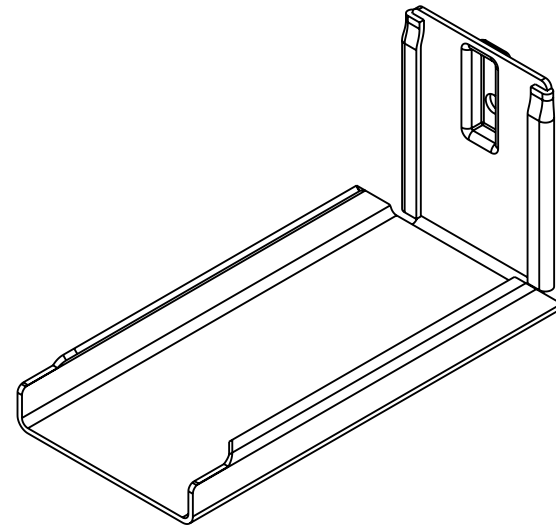
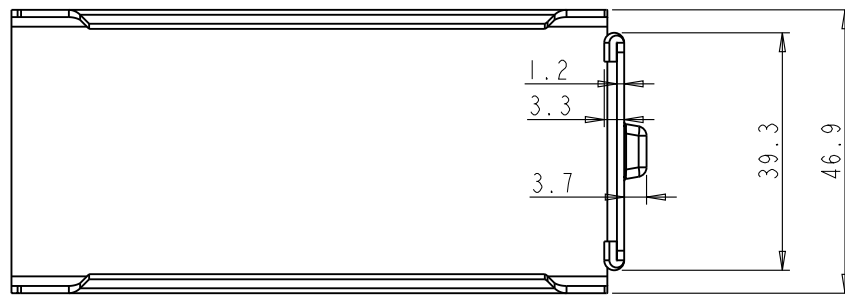
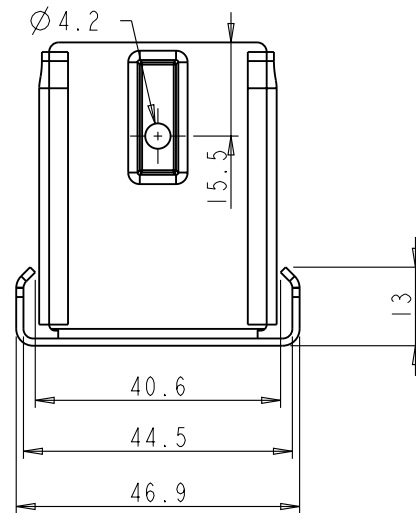
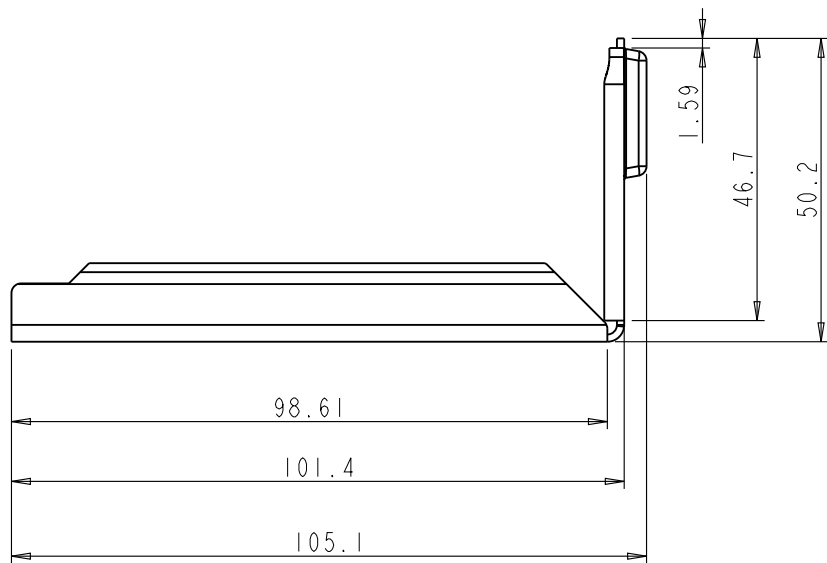
DETAIL D  
SCALE 2:1

SEE DETAIL D



SECTION A-A

	ITEM:	303FU6		MATERIAL:	12.74
	FINISH:			WEIGHT:	ABS g
<b>PROPRIETARY AND CONFIDENTIAL</b> THE INFORMATION CONTAINED IN THIS DRAWING IS THE SOLE PROPERTY OF HARDWARE RESOURCES INC. ANY REPRODUCTION IN PART OR AS A WHOLE WITHOUT THE WRITTEN PERMISSION OF HARDWARE RESOURCES INC. IS PROHIBITED.	TOLERANCE UNLESS OTHERWISE SPECIFIED: X: MM ±0.20 XX: MM ±0.10 XXX: MM ±0.05 ANGULAR: ±0.5° DO NOT SCALE DRAWING	UNIT:  SIZE:	DRAWN BY: <i>alan.liu</i>	DATE:	PROJECTION: 
			CHECKED BY:	DATE:	
			APPROVED BY:	DATE:	



	ITEM: BRACKET		MATERIAL: 85.58		
	FINISH:		WEIGHT: STEEL g		
<b>PROPRIETARY AND CONFIDENTIAL</b> THE INFORMATION CONTAINED IN THIS DRAWING IS THE SOLE PROPERTY OF HARDWARE RESOURCES INC. ANY REPRODUCTION IN PART OR AS A WHOLE WITHOUT THE WRITTEN PERMISSION OF HARDWARE RESOURCES INC. IS PROHIBITED.	TOLERANCE UNLESS OTHERWISE SPECIFIED: X: MM ±0.20 XX: MM ±0.10 XXX: MM ±0.05 ANGULAR: ±0.5° DO NOT SCALE DRAWING		UNIT:	DRAWN BY: <i>alan.liu</i>	DATE:
	SIZE:	CHECKED BY:	APPROVED BY:	DATE:	DATE:
	PROJECTION:		DATE:		DATE: