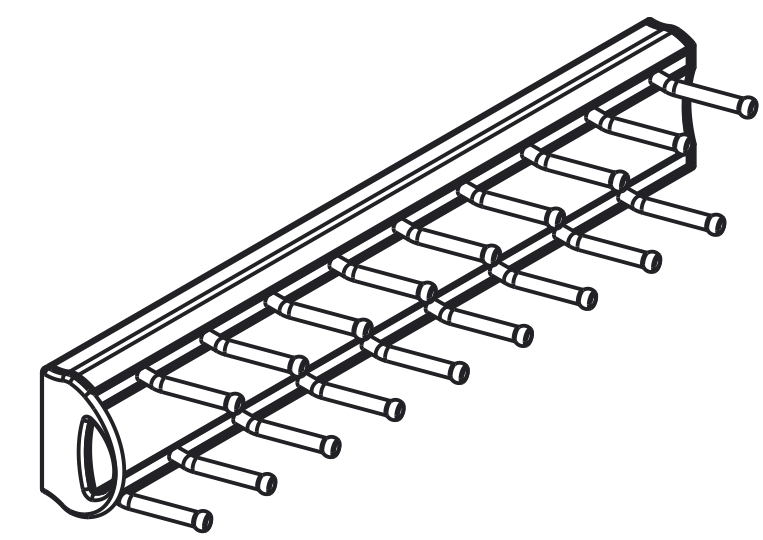
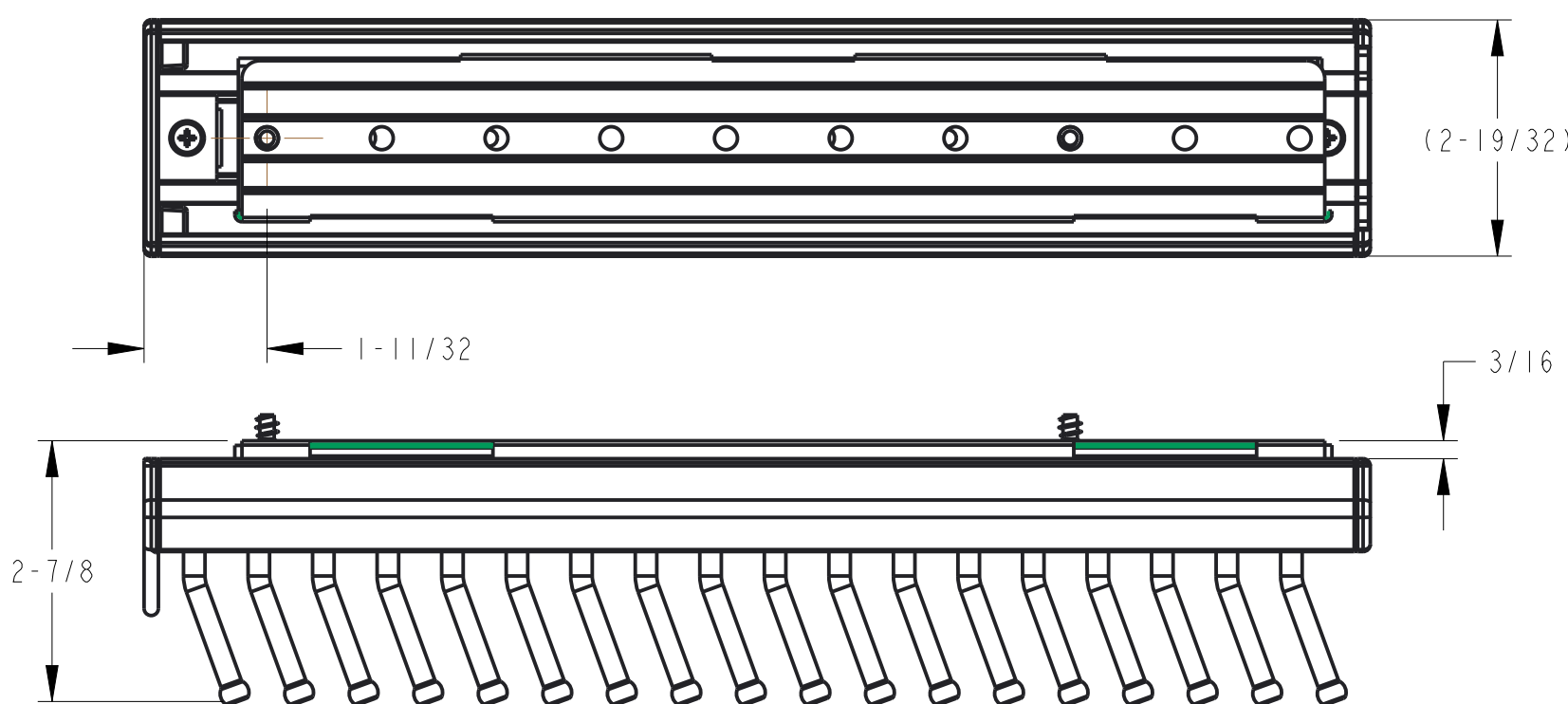
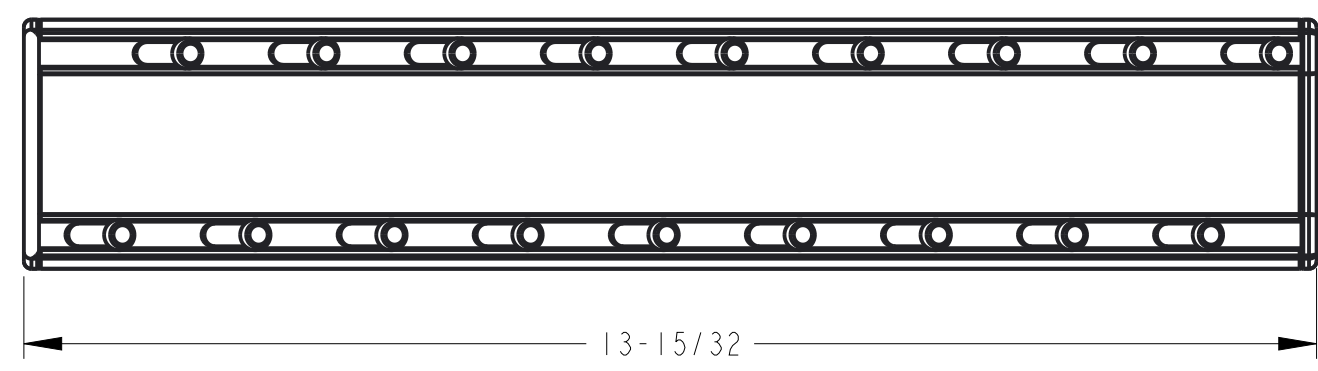
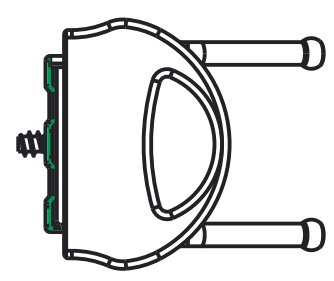


8 7 6 5 4 3 2 1

F E D C B A



SCALE 1:3



FINISHED GOODS TABLE		
HR ITEM #	DESCRIPTION	FINISH
355T-PC	ASSY, SLIDING TIE RACK, PC	POLISH CHROME
355T-SN	ASSY, SLIDING TIE RACK, SN	SATIN NICKEL
355T-ORB	ASSY, SLIDING TIE RACK, DORB	DARK OIL RUB BRONZE

THIRD ANGLE PROJECTION				
MATERIAL	FINISH			
N/A	SEE TABLE	DESCRIPTION		
DRAWN BY J. CORLESS		SLIDING CLOSET TIE RACK		
DESIGNED BY J. CORLESS		DRAWING NUMBER 355T		REV A
APPROVED BY G.DAVIS		SIZE A3	SCALE 1:2	SHEET 1 / 2

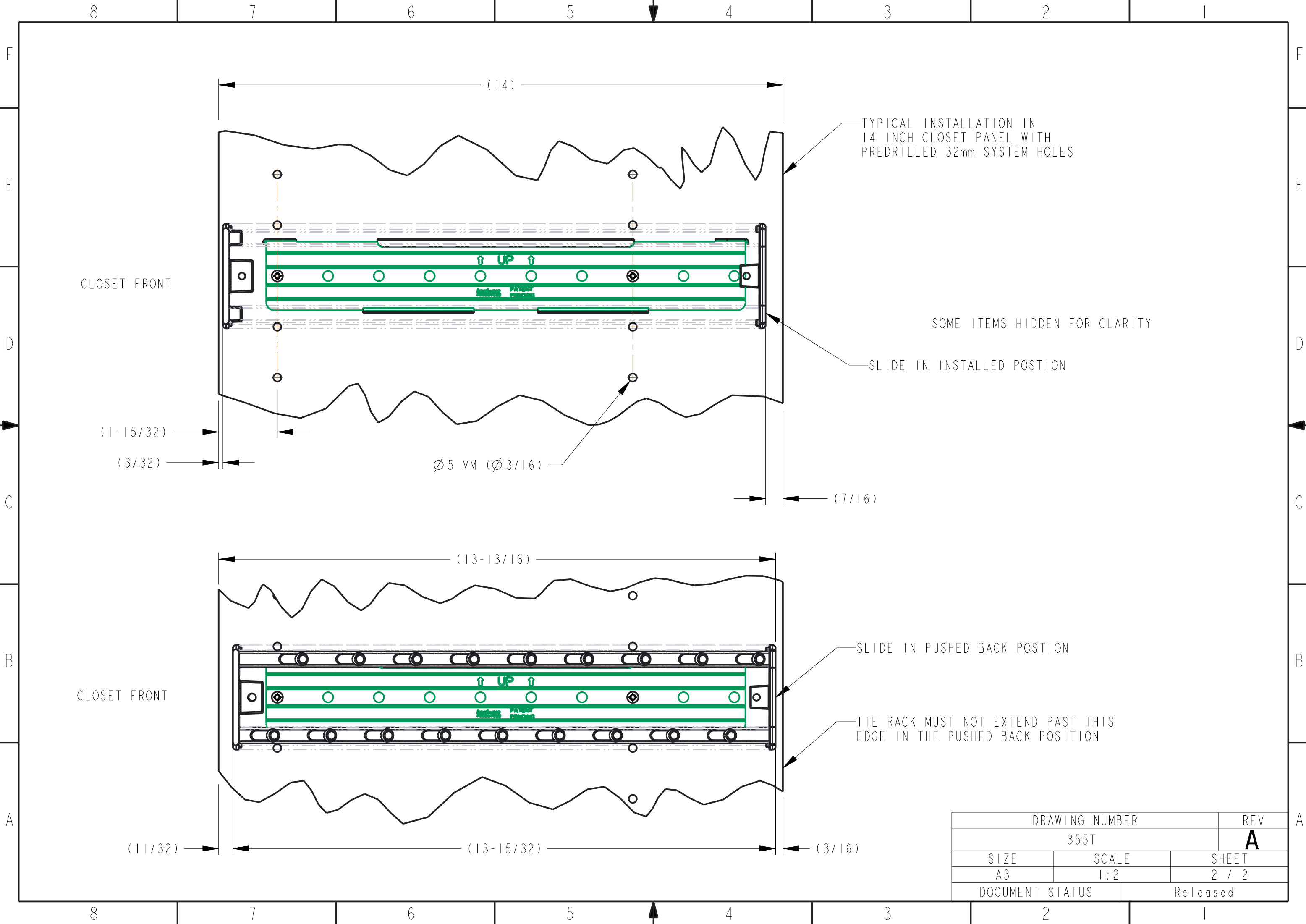
DOCUMENT STATUS Released

HARDWARE RESOURCES RESERVES THE RIGHT TO CHANGE SPECIFICATIONS WITHOUT NOTICE.
IN CASE OF A DISCREPANCY, ACTUAL PART GEOMETRY SUPERSEDES THIS DOCUMENT.

THE INFORMATION CONTAINED WITHIN THIS DRAWING IS THE SOLE PROPERTY OF HARDWARE RESOURCES INC. ANY REPRODUCTION IN PART OR WHOLE WITHOUT WRITTEN PERMISSION OF HARDWARE RESOURCES INC. IS PROHIBITED.

8 7 6 5 4 3 2 1

A



CLOSET FRONT

CLOSET FRONT

TYPICAL INSTALLATION IN 14 INCH CLOSET PANEL WITH PREDRILLED 32mm SYSTEM HOLES

SOME ITEMS HIDDEN FOR CLARITY

SLIDE IN INSTALLED POSITION

SLIDE IN PUSHED BACK POSITION

TIE RACK MUST NOT EXTEND PAST THIS EDGE IN THE PUSHED BACK POSITION

(1-15/32)

(3/32)

Ø 5 MM (Ø 3/16)

(7/16)

(13-13/16)

(11/32)

(13-15/32)

(3/16)

DRAWING NUMBER		REV
355T		A
SIZE	SCALE	SHEET
A3	1:2	2 / 2
DOCUMENT STATUS		Released