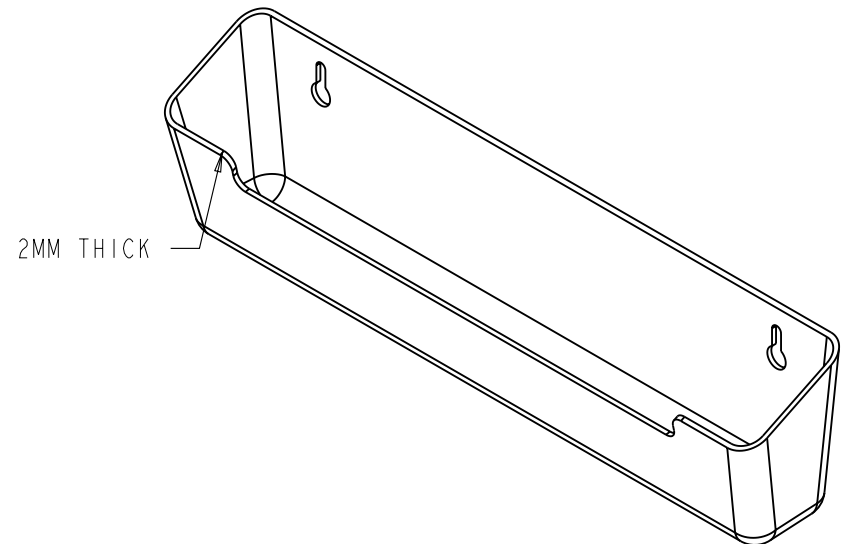
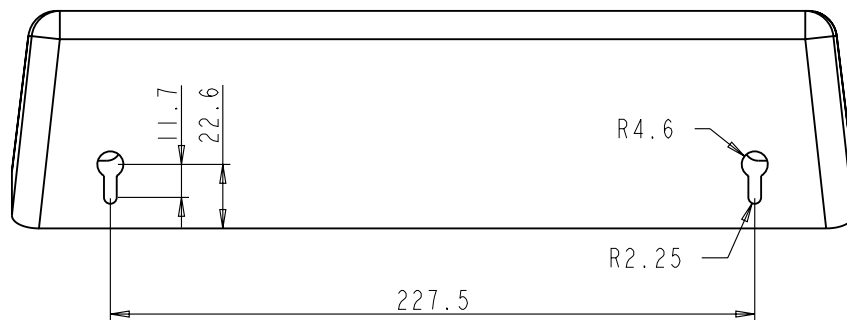
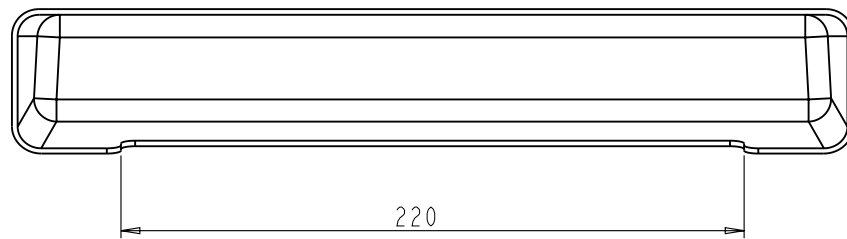


SECTION A-A

DETAIL A
SCALE 1:1



	ITEM#: TIPOUT-11S		MATERIAL: ABS	
	FINISH:		WEIGHT: 100.00 g	
	PROPRIETARY AND CONFIDENTIAL THE INFORMATION CONTAINED IN THIS DRAWING IS THE SOLE PROPERTY OF HARDWARE RESOURCES INC. ANY REPRODUCTION IN PART OR AS A WHOLE WITHOUT THE WRITTEN PERMISSION OF HARDWARE RESOURCES INC. IS PROHIBITED.		PROJECTION 	
	TOLERANCE UNLESS OTHERWISE SPECIFIED: X ±0.20 X.X ±0.10 X.XX ±0.05 ANGULAR: ±0.5°		UNITS: MM SIZE: A4 SHEET:	DRAWN BY: APPROVED BY: RELEASE LEVEL:
DO NOT SCALE DRAWING				