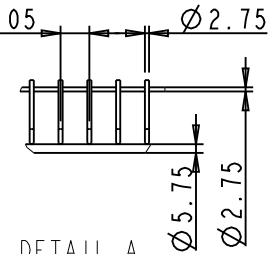
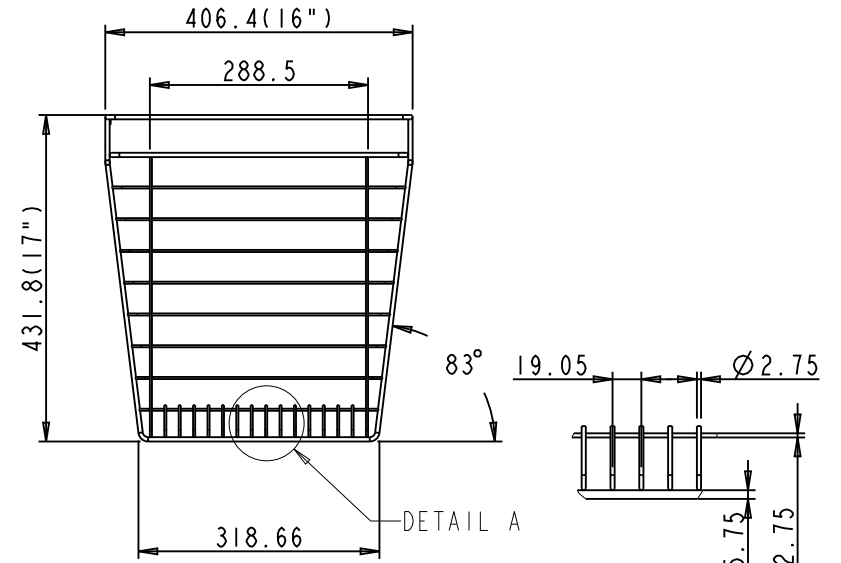


DETAIL B
SCALE 1:2



DETAIL A
SCALE 1:2



	ITEM#: POB1-162317	MATERIAL:
	FINISH:	WEIGHT: 0.000
PROPRIETARY AND CONFIDENTIAL THE INFORMATION CONTAINED IN THIS DRAWING IS THE SOLE PROPERTY OF HARDWARE RESOURCES INC. ANY REPRODUCTION IN PART OR AS A WHOLE WITHOUT THE WRITTEN PERMISSION OF HARDWARE RESOURCES INC. IS PROHIBITED.	TOLERANCE UNLESS OTHERWISE SPECIFIED: X ±0.20 XX ±0.10 XXX ±0.05 ANGULAR: ±0.5°	PROJECTION
	UNITS: A4	DRAWN BY: <i>Alexander W</i>
	DATE: 10-19-15	APPROVED BY:
	DATE:	RELEASE LEVEL:
DO NOT SCALE DRAWING	SHEET: 1 OF 1	REVISION: