

Features:

GWS21519

Included Components:

- Combination GWS21519
- Tank GWS28570
- Bowl GWS21872

- Vitreous China
- 12" Rough-In
- 3" flush valve for maximum water force
- Fluidmaster 400A Fill Valve
- Corrosion resistant flapper
- Extra-Large Dual fed siphon jets for high power bowl
- 100% glazed, 2" trapway
- Double nut, multi-point tank-to-bowl mounting system for tool-free installation
- White, plastic lever
- Toilet seat is not included



Technical Information:

Configuration	Two Piece, Ergoheight™ Compact Elongated™
Water per Flush	1.0 GPF(3.8 LPF)
Rough-In	12"
Height	30 5/8"
Width	18 1/4"
Depth	27 3/8"
Trapway	2"
Large Water Surface	8 11/16" x 6 5/16"
Shipping Weight	74.4 lbs

Accessories: (to be purchased separately)

- N/A

Other Tank Options: (Bowl to be purchased separately)

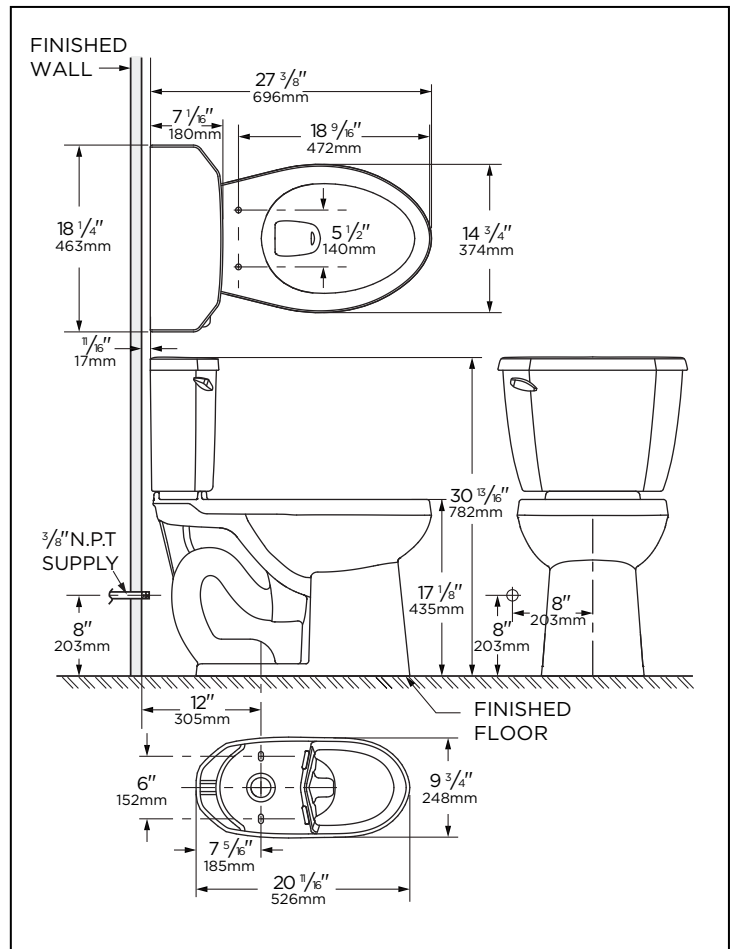
- Right Hand Lever: GWS2857097

Available Colors:

- White
- Other: Refer to Price Book for additional colors/finishes

Warranty:

- Limited Lifetime on Vitreous China, refer to the website for more details.



NOTES: All dimensions are in inches and millimeters. Illustrations may not be drawn to scale.

IMPORTANT:

Dimensions of fixtures are nominal and may vary within the range of tolerances established by ASME standard A 112.19.2 THIS FIXTURE QUALIFIES ACCORDING TO ASME TEST PROCEDURES AS A HIGH EFFICIENCY WATER CLOSET WITH AN AVERAGE CONSUMPTION OF 1.0 gpf (3.8 Lpf) OR LESS.