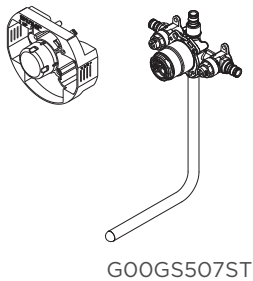
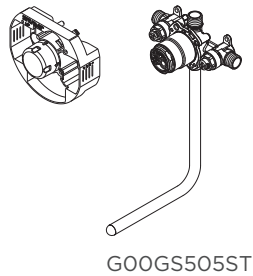
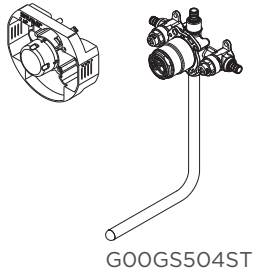


**SPECIFICATIONS**

Use with trim kits for: **GERBER**



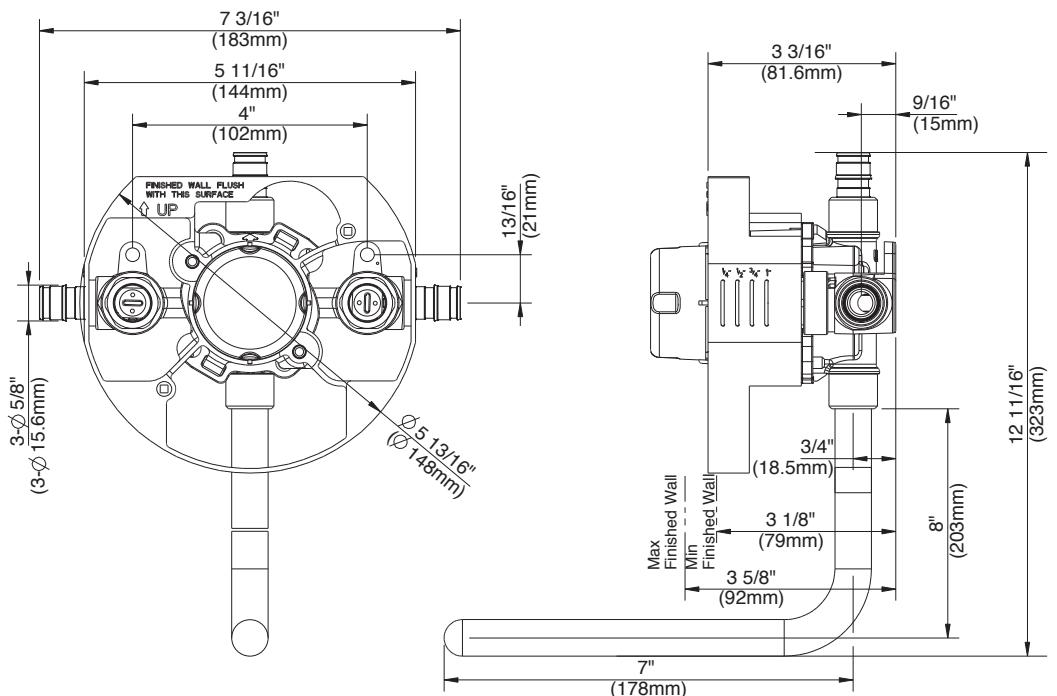
**Features/Benefits**

- Includes Forged Valve Body, Plaster Guard and Innovative Pressure Test Cap
- Includes 8" x 7" x 1/2" Type M Copper Tube for Tub Outlet
- Connection Type:  
 G00GS504ST: 1/2" Crimp PEX Inlets, 1/2" Crimp PEX Shower Outlet  
 G00GS505ST: 1/2" IPS/Sweat Inlets, 1/2" IPS/Sweat Shower Outlet  
 G00GS507ST: 1/2" Cold Expansion PEX Inlets, 1/2" Cold Expansion PEX Shower Outlet
- Includes 1/4 Turn Service Stops
- Installed Rough-In Can Be Pressure Tested to 150 psi (Air or Water), Mixed or Isolated Inlets, Using Included Pressure Test Plug
- Accommodates Standard, Back-to-Back, and Thin Wall Installations
- Integrated, Easy-Access Mounting System
- Treysta Cartridge Ships with Trim, Sold Separately

**SKU# Numbers**

- G00GS504ST Crimp PEX Inlets with Stub Out with Stops
- G00GS505ST IPS/Sweat Inlets with Stub Out with Stops
- G00GS507ST Cold Expansion PEX Inlets with Stub Out with Stops

**Standards & Certifications**



**Submittal Information:**

Name: \_\_\_\_\_  
 Location: \_\_\_\_\_

Contractor: \_\_\_\_\_  
 Contact #: \_\_\_\_\_